

Tubular ring terminals, KM type

FEATURES & BENEFITS

- ring terminal Cu, standard, without galvanic tin plating
- description of cable cross-section and terminal size on fin surface
- popular version for demanding applications, if tin plating not required
- very broad range

MECHANICAL DATA

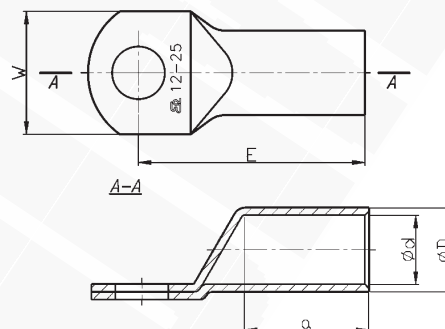
Material	Cu
Covering	uncoated

CERTIFICATES & STANDARDS

Design	standard
--------	----------

Note!

Sector-shaped conductors (sm) must be rounded with special dies.



Type	Index Ergom	Cross-section, rm/sm [mm ²]	d	D	a	E	W	Screw hole	Socket code no.	Lz/s	Lz/w	Quantity in package [pcs]	Weight [kg]	
KM 0,75/3 (100 PCS)	E11KM-01010100100	0,75	1,3	2,8	5,8	12,0	6,0	M3	-	-	1	100	0,06	
KM 0,75/4 (100 PCS)	E11KM-01010100200					13,0	6,5	M4						
KM 0,75/5 (100 PCS)	E11KM-01010100300					14,0	7,5	M5						
KM 1,5/3 (100 PCS)	E11KM-01010100400	1,5	1,8	3,3	5,8	12,0	6,5	M3	-	-	1	100	0,08	
KM 1,5/4 (100 PCS)	E11KM-01010100500					13,0	7,5	M4					0,1	
KM 1,5/5 (100 PCS)	E11KM-01010100600					14,0	7,5	M5					0,09	
KM 1,5/6 (100 PCS)	E11KM-01010100700	2,5	2,3	4,2	5,8	16,0	9,0	M6	-	-	1	100	0,1	
KM 2,5/3 (100 PCS)	E11KM-01010100800					12,0	7,5	M3					0,13	
KM 2,5/4 (100 PCS)	E11KM-01010100900					13,0	7,5	M4					0,14	
KM 2,5/5 (100 PCS)	E11KM-01010101000	2,5	2,3	4,2	5,8	14,0	8,5	M5	-	-	1	100	0,14	
KM 2,5/6 (100 PCS)	E11KM-01010101100					16,0	9,5	M6					0,16	
KM 2,5/8 (100 PCS)	E11KM-01010101200					20,0	13,0	M8					0,19	
KM 4/4 (100 PCS)	E11KM-01010101300	4	3,0	5,0	7,8	18,0	8,5	M4	-	-	1	100	0,22	
KM 4/5 (100 PCS)	E11KM-01010101400					19,0	9,0	M5					0,26	
KM 4/6 (100 PCS)	E11KM-01010101500					19,0	10,0	M6					0,28	
KM 4/8 (100 PCS)	E11KM-01010101600	6	4,0	6,0	8,7	22,0	13,0	M8	4	1	1	100	0,28	
KM 6/4 (100 PCS)	E11KM-01010101700					18,0	9,5	M4					0,3	
KM 6/5 (100 PCS)	E11KM-01010101800					19,0	10,0	M5					0,31	
KM 6/6 (100 PCS)	E11KM-01010101900	6	4,0	6,0	8,7	19,0	10,0	M6	4	1	1	100	0,35	
KM 6/8 (100 PCS)	E11KM-01010102000					22,0	14,0	M8					0,37	
KM 6/10 (100 PCS)	E11KM-01010102100					25,0	16,0	M10					0,4	
KM 6/12 (100 PCS)	E11KM-01010102200	10	4,5	7,0	10	25,0	19,0	M12	7	1	1	100	0,4	
KM 10/5 (100 PCS)	E11KM-01010102300					21,0	12,0	M5					100	0,53
KM 10/5 (10 PCS)	E11KM-01010102302					10	0,06							
KM 10/6 (100 PCS)	E11KM-01010102400	10	4,5	7,0	10	21,5	12,0	M6	7	1	1	100	0,52	
KM 10/6 (10 PCS)	E11KM-01010102402					10	0,06							
KM 10/8 (100 PCS)	E11KM-01010102500					100	0,6							
KM 10/8 (10 PCS)	E11KM-01010102502	10	0,06											
KM 10/10 (100 PCS)	E11KM-01010102600	10	4,5	7,0	10	25,5	17,0	M10	7	1	1	100	0,65	
KM 10/10 (10 PCS)	E11KM-01010102602					10	0,07							
KM 10/12 (100 PCS)	E11KM-01010102700					100	0,64							
KM 10/12 (10 PCS)	E11KM-01010102702	10	0,07											

Type	Index Ergom	Cross-section, rm/sm [mm ²]	d	D	a	E	W	Screw hole	Socket code no.	Lz/s	Lz/w	Quantity in package [pcs]	Weight [kg]							
KM 16/5 (100 PCS)	E11KM-01010102800	16	5,5	8,5	13	25,0	12,0	M5	8	1	2	100	0.91							
KM 16/5 (10 PCS)	E11KM-01010102802							10				0.1								
KM 16/6 (100 PCS)	E11KM-01010102900					25,5	M6	100				0.9								
KM 16/6 (10 PCS)	E11KM-01010102902							10				0.1								
KM 16/8 (100 PCS)	E11KM-01010103000					27,5	15,0	M8				100	0.97							
KM 16/8 (10 PCS)	E11KM-01010103002							10				0.1								
KM 16/10 (100 PCS)	E11KM-01010103100					29,5	17,0	M10				100	1							
KM 16/10 (10 PCS)	E11KM-01010103102							10				0.1								
KM 16/12 (100 PCS)	E11KM-01010103200					30,5	19,0	M12				100	1.1							
KM 16/12 (10 PCS)	E11KM-01010103202							10				0.12								
KM 25/6 (100 PCS)	E11KM-01010103400					25	7,0	10,0				15	28,5	14,0	M6	10	1	2	100	1.22
KM 25/6 (10 PCS)	E11KM-01010103402														10				0.13	
KM 25/8 (100 PCS)	E11KM-01010103500	30,5	16,0	M8	100				1.25											
KM 25/8 (10 PCS)	E11KM-01010103502			10	0.13															
KM 25/10 (100 PCS)	E11KM-01010103600	32,5	18,0	M10	100				1.3											
KM 25/10 (10 PCS)	E11KM-01010103602			10	0.14															
KM 25/12 (100 PCS)	E11KM-01010103700	33,5	19,0	M12	100				1.3											
KM 25/12 (10 PCS)	E11KM-01010103702			10	0.14															
KM 25/14 (100 PCS)	E11KM-01010103800	35,5	21,0	M14	100				1.45											
KM 25/14 (10 PCS)	E11KM-01010103802			10	0.15															
KM 35/6 (100 PCS)	E11KM-01010103900	35	8,5	12,0	17				31,5	18,0	M6		12	1	2				100	1.8
KM 35/6 (10 PCS)	E11KM-01010103902										10								0.2	
KM 35/8 (100 PCS)	E11KM-01010104000					33,5	18,0	M8	100	1.94										
KM 35/8 (10 PCS)	E11KM-01010104002							10	0.2											
KM 35/10 (100 PCS)	E11KM-01010104100					35,5	20,0	M10	100	2.1										
KM 35/10 (10 PCS)	E11KM-01010104102							10	0.22											
KM 35/12 (100 PCS)	E11KM-01010104200					36,5	21,0	M12	100	2.05										
KM 35/12 (10 PCS)	E11KM-01010104202							10	0.22											
KM 35/14 (100 PCS)	E11KM-01010104300					38,5	26,0	M14	100	2.2										
KM 35/14 (10 PCS)	E11KM-01010104302							10	0.22											
KM 35/16 (100 PCS)	E11KM-01010104400					39,5	26,0	M16	100	2.3										
KM 35/16 (10 PCS)	E11KM-01010104402							10	0.23											
KM 50/6 (100 PCS)	E11KM-01010104500	50	10,0	14,0	19	34,5	20,0	M6	14	1	2	100	2.58							
KM 50/6 (10 PCS)	E11KM-01010104502							10				0.26								
KM 50/8 (100 PCS)	E11KM-01010104600					36,5	20,0	M8				100	2.8							
KM 50/8 (10 PCS)	E11KM-01010104602							10				0.28								
KM 50/10 (100 PCS)	E11KM-01010104700					38,5	28,0	M10				100	3.05							
KM 50/10 (10 PCS)	E11KM-01010104702							10				0.3								
KM 50/12 (100 PCS)	E11KM-01010104800					39,5	23,0	M12				100	2.95							
KM 50/12 (10 PCS)	E11KM-01010104802							10				0.3								
KM 50/14 (100 PCS)	E11KM-01010104900					41,5	30,0	M14				100	3.2							
KM 50/14 (10 PCS)	E11KM-01010104902							10				0.4								
KM 50/16 (100 PCS)	E11KM-01010105000					42,5	28,0	M16				100	3.3							
KM 50/16 (10 PCS)	E11KM-01010105002							10				0.4								
KM 50/20 (100 PCS)	E11KM-01010105100	47,0	31,0	M20	100	3.6														
KM 50/20 (10 PCS)	E11KM-01010105102			10	0.4															
KM 70/6 (100 PCS)	E11KM-01010105200	70	12,0	16,5	21	40,5	23,0	M6	16	1	2	100	4.25							
KM 70/6 (10 PCS)	E11KM-01010105202							10				0.5								
KM 70/8 (100 PCS)	E11KM-01010105300					43,5	28,0	M8				100	4.2							
KM 70/8 (10 PCS)	E11KM-01010105302											10	0.5							
KM 70/10 (100 PCS)	E11KM-01010105400					43,5	M10	100				4.6								
KM 70/10 (10 PCS)	E11KM-01010105402							10				0.5								
KM 70/12 (100 PCS)	E11KM-01010105500					46,5	M12	100				4.4								
KM 70/12 (10 PCS)	E11KM-01010105502							10				0.5								
KM 70/14 (100 PCS)	E11KM-01010105600					46,5	28,0	M14				100	4.9							
KM 70/14 (10 PCS)	E11KM-01010105602							10				0.5								
KM 70/16 (100 PCS)	E11KM-01010105700					51,0	31,0	M16				100	4.7							
KM 70/16 (10 PCS)	E11KM-01010105702							10				0.5								
KM 70/20 (100 PCS)	E11KM-01010105800	M20	100	5																
KM 70/20 (10 PCS)	E11KM-01010105802		10	0.5																

Type	Index Ergom	Cross-section, mm ²	d	D	a	E	W	Screw hole	Socket code no.	Lz/s	Lz/w	Quantity in package [pcs]	Weight [kg]							
KM 95/8 (50 PCS)	E11KM-01010105900	95	13,5	18,0	24	47,0	26,0	M8	17	1	2	50	2.8							
KM 95/8 (10 PCS)	E11KM-01010105902							10				0.6								
KM 95/10 (50 PCS)	E11KM-01010106000							50				2.72								
KM 95/10 (10 PCS)	E11KM-01010106002							10				0.6								
KM 95/12 (50 PCS)	E11KM-01010106100							50				2.65								
KM 95/12 (10 PCS)	E11KM-01010106102							10				0.6								
KM 95/14 (50 PCS)	E11KM-01010106200							50				2.85								
KM 95/14 (10 PCS)	E11KM-01010106202							10				0.6								
KM 95/16 (50 PCS)	E11KM-01010106300							50				2.85								
KM 95/16 (10 PCS)	E11KM-01010106302							10				0.6								
KM 95/20 (50 PCS)	E11KM-01010106400					50	3.1													
KM 95/20 (10 PCS)	E11KM-01010106402					10	0.7													
KM 120/8 (50 PCS)	E11KM-01010106500					120	15,0	19,5				26	50,0	29,0	M10	19	1	2	50	3.3
KM 120/8 (10 PCS)	E11KM-01010106502														10				0.7	
KM 120/10 (50 PCS)	E11KM-01010106600														50				3.15	
KM 120/10 (10 PCS)	E11KM-01010106602														10				0.7	
KM 120/12 (50 PCS)	E11KM-01010106700														50				3.17	
KM 120/12 (10 PCS)	E11KM-01010106702												10	0.7						
KM 120/14 (50 PCS)	E11KM-01010106800												50	3.4						
KM 120/14 (10 PCS)	E11KM-01010106802												10	0.7						
KM 120/16 (50 PCS)	E11KM-01010106900	50	3.4																	
KM 120/16 (10 PCS)	E11KM-01010106902	10	0.7																	
KM 120/20 (50 PCS)	E11KM-01010107000	50	3.5																	
KM 120/20 (10 PCS)	E11KM-01010107002	10	0.7																	
KM 150/8 (50 PCS)	E11KM-01010107100	150	16,5	21,0	29	54,0	31,0	M8	20	2	4	50	3.78							
KM 150/8 (10 PCS)	E11KM-01010107102							10				0.8								
KM 150/10 (50 PCS)	E11KM-01010107200							50				3.73								
KM 150/10 (10 PCS)	E11KM-01010107202							10				0.8								
KM 150/12 (50 PCS)	E11KM-01010107300							50				3.55								
KM 150/12 (10 PCS)	E11KM-01010107302					10	0.8													
KM 150/14 (50 PCS)	E11KM-01010107400					50	3.9													
KM 150/14 (10 PCS)	E11KM-01010107402					10	0.8													
KM 150/16 (50 PCS)	E11KM-01010107500					50	3.8													
KM 150/16 (10 PCS)	E11KM-01010107502					10	0.8													
KM 150/20 (50 PCS)	E11KM-01010107600	50	4.2																	
KM 150/20 (10 PCS)	E11KM-01010107602	10	0.9																	
KM 185/10 (50 PCS)	E11KM-01010107700	185	19,0	24,0	30	56,5	35,0	M10	23	2	4	50	4.92							
KM 185/10 (10 PCS)	E11KM-01010107702							10				1								
KM 185/12 (50 PCS)	E11KM-01010107800							50				4.82								
KM 185/12 (10 PCS)	E11KM-01010107802					10		1												
KM 185/14 (50 PCS)	E11KM-01010107900					50		5.35												
KM 185/14 (10 PCS)	E11KM-01010107902					10		1.1												
KM 185/16 (50 PCS)	E11KM-01010108000	50	5.11																	
KM 185/16 (10 PCS)	E11KM-01010108002	10	1.1																	
KM 240/10 (50 PCS)	E11KM-01010108200	240	21,0	26,0	38	73,5	38,0	M10	25	2	4	50	7.3							
KM 240/10 (10 PCS)	E11KM-01010108202							10				1.5								
KM 240/12 (50 PCS)	E11KM-01010108300							50				7.3								
KM 240/12 (10 PCS)	E11KM-01010108302							10				1.5								
KM 240/14 (50 PCS)	E11KM-01010108400							50				7.2								
KM 240/14 (10 PCS)	E11KM-01010108402							10				1.5								
KM 240/16 (50 PCS)	E11KM-01010108500							50				7.1								
KM 240/16 (10 PCS)	E11KM-01010108502							10				1.5								
KM 240/20 (50 PCS)	E11KM-01010108600	50	7																	
KM 240/20 (10 PCS)	E11KM-01010108602	10	1.4																	
KM 300/10 (25 PCS)	E11KM-01010108700	300	24,0	30,0	45	82,5	43,0	M10	28	2	-	25	5.7							
KM 300/10 (10 PCS)	E11KM-01010108702							10				2.3								
KM 300/12 (25 PCS)	E11KM-01010108800							25				5.5								
KM 300/12 (10 PCS)	E11KM-01010108802							10				2.3								
KM 300/16 (25 PCS)	E11KM-01010109000							25				5.5								
KM 300/16 (10 PCS)	E11KM-01010109002							10				2.3								
KM 300/20	E11KM-01010109100							25				5.2								
KM 300/20 (10 PCS)	E11KM-01010109050							10				1.05								

Type	Index Ergom	Cross-section, rm/sm [mm ²]	d	D	a	E	W	Screw hole	Socket code no.	Lz/s	Lz/w	Quantity in package [pcs]	Weight [kg]			
KM 400/12 (25 PCS)	E11KM-01010109200	400	27,5	33,5	50	90,0	49,0	M12	32	2	-	25	6.7			
KM 400/12	E11KM-01010109202														0.27	
KM 400/14	E11KM-01010109302								90,0	49,0	M 14	32	2	-	1	0.28
KM 400/16	E11KM-01010109402										M 16					0.26
KM 500/12	E11KM-01010109602	500	31,0	38,0	70	112,5	55,0	M 12	36	3	-	1	0.44			
KM 500/20	E11KM-01010109902							M 20					0.43			
KM 625/12	E11KM-01010110002	625	34,0	40,0	70	114,0	60	M 12	38	3	-	25	10.6			
KM 625/20	E11KM-01010110302							M 20					10.33			

Lz/s - Number of crimping - wide Lz/w - Number of crimping - narrow

X-ON Electronics

Largest Supplier of Electrical and Electronic Components

Click to view similar products for [Terminals](#) category:

Click to view products by [ERGOM](#) manufacturer:

Other Similar products are found below :

[HT-13-10](#) [71M-250-32-NB](#) [01-2065-1-0216](#) [0190420006](#) [00581P0075](#) [M10-10RX](#) [M10BCK](#) [60205-1](#) [604200-1](#) [60598-1-CUT-TAPE](#)
[60873-1](#) [M14-516R/SK](#) [M14-6RSX](#) [M18-8FBX](#) [M18-8R/LX](#) [M18BCK](#) [61314-6-C](#) [61-S](#) [61-SN](#) [61-SN-A](#) [62149-1](#) [62-NBM-A](#) [62-SN](#) [62-](#)
[SP](#) [63-S](#) [640179-1](#) [640917-2-CUT-TAPE](#) [6501550002](#) [66107-4-C](#) [696683-1](#) [696834-1](#) [696861-1](#) [696931-1](#) [696999-1](#) [M8-516RK](#)
[M86700006](#) [MA250DMFMX-A](#) [701-2007](#) [701-2307](#) [701-7761-03](#) [70F-110-32-PB](#) [718-N-A](#) [71M-187-20-NBL](#) [71M-250-32-NBL](#) [72M-](#)
[250-32-NBL](#) [7310](#) [73F-250-32](#) [73F-250-32-NBL](#) [F14-10C](#) [F-1M](#)