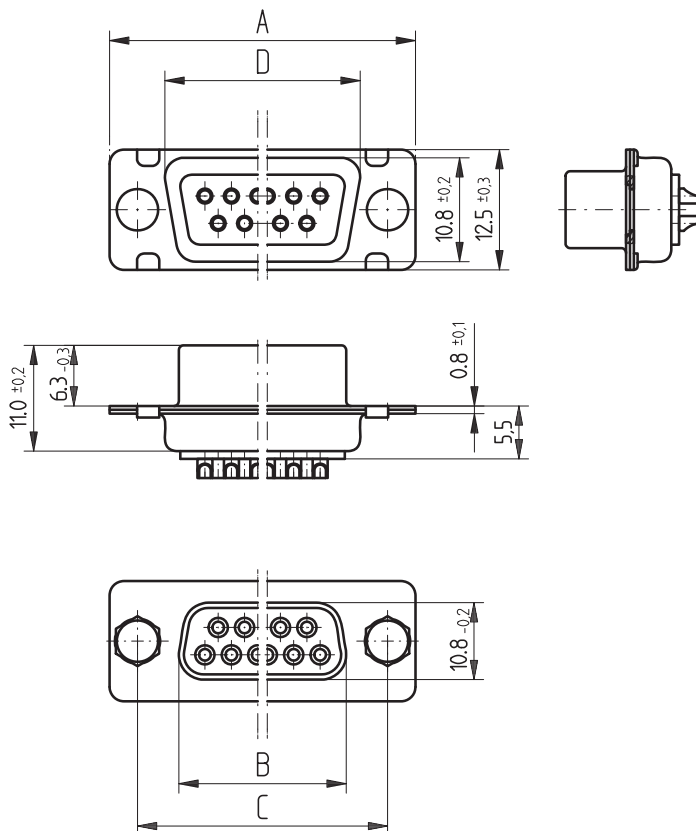


D-Sub Connectors

Female and Male Connectors with Solder Cups



Dimensional Drawing Female Connectors



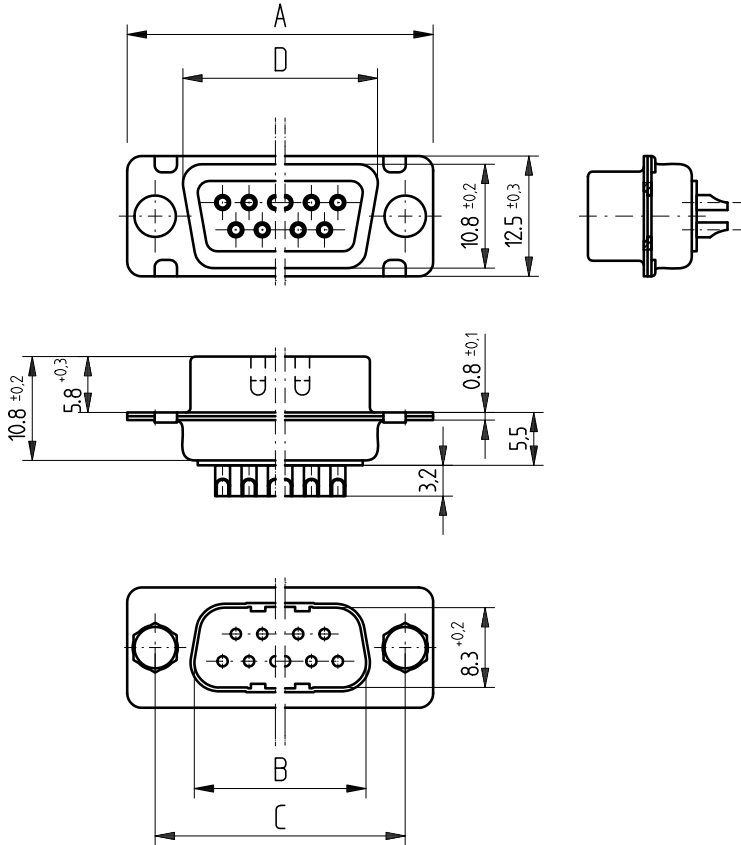
9	30.8	16.4	25.0	19.3
15	39.1	24.7	33.3	27.5
25	53.0	38.5	47.0	41.3
37	69.3	54.9	63.5	57.7
Polzahl/ No. of contacts	A ±0.3	B -0.2	C ±0.2	D ±0.3

All dimensions in mm

D-Sub Connectors

Female and Male Connectors with Solder Cups

Dimensional Drawing Male Connectors



9	30.8	16.8	25.0	19.3
15	39.1	25.1	33.3	27.5
25	53.0	38.9	47.0	41.3
37	69.3	55.3	63.5	57.7
Polzahl/ No. of contacts	A ±0.3	B +0.2	C ±0.2	D ±0.3

All dimensions in mm

Ordering Information

Female Connectors

No. of Pins	Termination	Termination Length	Accessory Mating Side	Accessory Terminal Side	Packaging	Part Number
9	Hand solder*	2.5 mm	None	–	Cardboard (45 pcs)	004125
15	Hand solder*	2.5 mm	None	–	Cardboard (45 pcs)	013522
25	Hand solder*	2.5 mm	None	–	Cardboard (45 pcs)	013635
37	Hand solder*	2.5 mm	None	–	Cardboard (45 pcs)	004633

Male Connectors

No. of Pins	Termination	Termination Length	Accessory Mating Side	Accessory Terminal Side	Packaging	Part Number
9	Hand solder*	3.2 mm	None	–	Cardboard (45 pcs)	023127
15	Hand solder*	3.2 mm	None	–	Cardboard (45 pcs)	023128
25	Hand solder*	3.2 mm	None	–	Cardboard (45 pcs)	023129
37	Hand solder*	3.2 mm	None	–	Cardboard (45 pcs)	023130

* for max. AWG 18 solid or stranded wire

X-ON Electronics

Largest Supplier of Electrical and Electronic Components

Click to view similar products for [D-Sub Standard Connectors](#) category:

Click to view products by [ERNI](#) manufacturer:

Other Similar products are found below :

[56F711-015](#) [012-9507-004](#) [LV242999-142T12](#) [015-0341-000](#) [015-0349-000](#) [015-0372-005](#) [015-0372-008](#) [015-8755-001](#) [020419-0104](#) [012-0467-000](#) [012-0515-000](#) [012-9507-034](#) [012-9507-114](#) [020745-0008](#) [609-25P](#) [M24308/2-23Z](#) [CT2-14S-2PCA34](#) [CT2-18-11PCAU](#) [CT2-36-15SC](#) [CT6-14S-2SC](#) [CT6E14SA7SC](#) [CT6E22-14PC](#) [CT6E22-14PS](#) [CT6E22-22PS](#) [M83513/01-FC](#) [M85049/48-3-2F](#) [6STD09PCM99B70X](#) [6STD09SCM99B30X](#) [6STD09SCT99S40X](#) [6STD15PCT99S40X](#) [6STD15SCM99B30X](#) [6STD15SCT99S40X](#) [6STF09PCM05B70X](#) [7-135760-9](#) [MC11E-10-6SN](#) [747552-3](#) [MD1-21PS](#) [MDM-15SCBRM7-F222](#) [MDM96517-699](#) [MDM96521-744](#) [MDVB1-21SL1](#) [MIK0-1-7SH003](#) [MIKQ6-7SH076](#) [MIKQ7-7PH077](#) [MIKQ7-7PH11](#) [MIKQ7-7PH32](#) [MIKQ9-7PH003](#) [MJSV-28SL61](#) [MKJ4A1F14-55S](#) [8-135760-3](#)