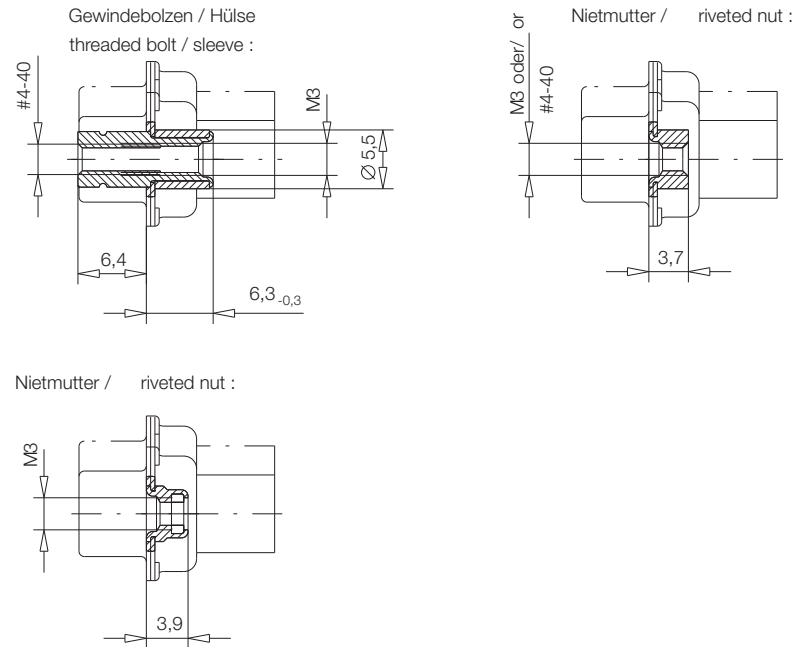
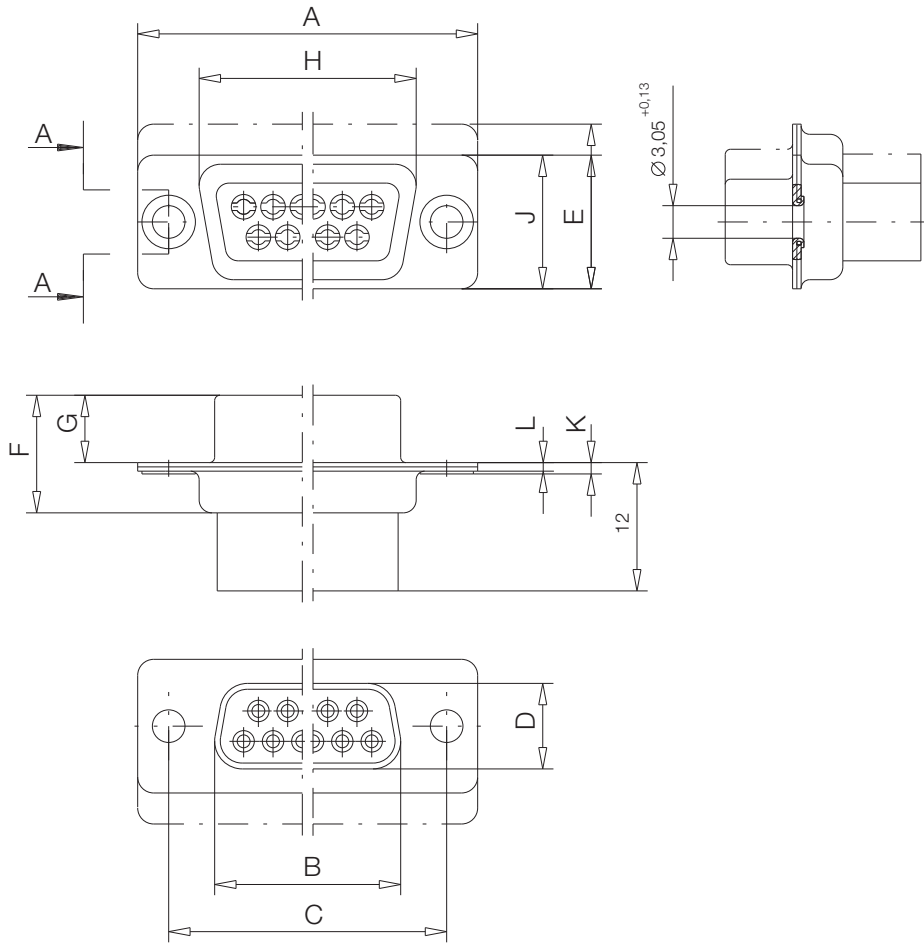


Schnitt A-A / cross section A-A



9	30.8	16.4	25.0	8.0	12.5	11.0	6.3	19.3	10.8	1.5	0.8		
15	39.1	24.7	33.3	8.0	12.5	11.0	6.3	27.5	10.8	1.5	0.8		
25	53.0	38.5	47.0	8.0	12.5	11.0	6.3	41.3	10.8	1.5	0.8		
37	69.3	54.9	63.5	8.0	12.5	11.0	6.3	57.7	10.8	1.5	0.8		
50	67.0	52.5	61.1	10.8	15.4	11.0	6.3	55.3	13.6	1.5	0.8		
Polzahl/ No. of contacts	A $\pm 0,3$	B $-0,2$	C $\pm 0,2$	D $-0,2$	E $\pm 0,3$	F $\pm 0,2$	G $-0,3$	H $\pm 0,3$	J $\pm 0,2$	K max.	L $\pm 0,1$		

Ident-Nr. / Part No. : Refer to table on page 2

Polzahl / No. of contacts : Refer to table on page 2

Anschlußart / Terminal Type : CRIMP-SNAP IN

Anschlußlänge / Terminal Length : Refer to table on page 2

Bauart / Type : 1

Anforderungsstufe / Class : Refer to table on page 2

Aufdruck / Logo : ERNI 1

Zubehör / Accessory : Refer to table on page 2

Sonderausführung / Special : Refer to table on page 2

Fehlende Masse und Angaben siehe DIN 41652 / Missing information and dimensions according to DIN 41652		Sonstige Angaben siehe Fertigungsunterlagen / Additional indications please see the production documentation	
Information:	Tolerances All Dimensions in mm	Scale 2:1	
All rights reserved. Only for information. To insure that this is the latest version of this drawing, please contact one of the ERNI companies before using.	Subject to modification without prior notice. Drawing will not be updated.	Designation TMC-S 9 bis 50-CSI TMC-S 9 to 50-CSI	
		054872	
c	27.04.1999	www.ERNI.com	
Index	Date	M:00021176.SZN	
		TMCS	

Consider protection memo from DIN 54



Ordering Information for Crimp Contacts

Version	Loose contacts	Reel 500 pieces	Reel 10.000 pieces
AWG 26-20	014234	014237	014240
AWG 28-24	014233	014236	014239

Ordering Information for Processing Tools

Version	
Hand crimping tool for loose contacts AWG 20-28 (0.08-0.56 mm ²)	014374
Hand crimping tool for reels with 500 contacts incl. reel holder AWG 20-28	014375
Mounting and dismounting tool for AWG 20-28	014373

X-ON Electronics

Largest Supplier of Electrical and Electronic Components

Click to view similar products for [D-Sub Standard Connectors](#) category:

Click to view products by [ERNI](#) manufacturer:

Other Similar products are found below :

[56F711-015](#) [012-9507-004](#) [LV242999-142T12](#) [015-0341-000](#) [015-0349-000](#) [015-0372-005](#) [015-0372-008](#) [015-8755-001](#) [020419-0104](#) [012-0467-000](#) [012-0515-000](#) [012-9507-034](#) [012-9507-114](#) [020745-0008](#) [609-25P](#) [CT2-14S-2PCA34](#) [CT2-18-11PCAU](#) [CT2-36-15SC](#) [CT6-14S-2SC](#) [CT6E14SA7SC](#) [CT6E22-14PC](#) [CT6E22-14PS](#) [CT6E22-22PS](#) [M83513/01-FC](#) [M85049/48-3-2F](#) [6STD09PCM99B70X](#) [6STD09SCM99B30X](#) [6STD09SCT99S40X](#) [6STD15PCT99S40X](#) [6STD15SCM99B30X](#) [6STD15SCT99S40X](#) [6STF09PCM05B70X](#) [7-135760-9](#) [MC11E-10-6SN](#) [747552-3](#) [MD1-21PS](#) [MDM-15SCBRM7-F222](#) [MDM96517-699](#) [MDM96521-744](#) [MDVB1-21SL1](#) [MIK0-1-7SH003](#) [MIKQ6-7SH076](#) [MIKQ7-7PH077](#) [MIKQ7-7PH11](#) [MIKQ7-7PH32](#) [MIKQ9-7PH003](#) [MJSV-28SL61](#) [MKJ4A1F14-55S](#) [8-135760-3](#) [8STD09PCM99B30X](#)