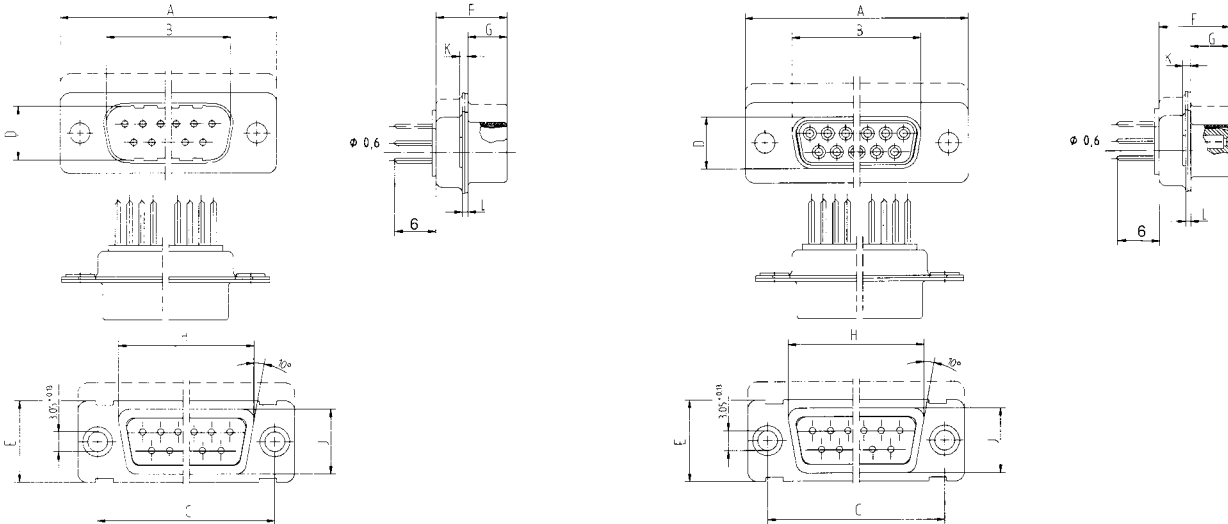


# TMC with straight dip-solder termination

## Dimensional drawings

Male connector

Female connector

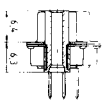


## Dimensional drawings

	Male connector	Female connector
	<p><b>TMC-P-....TL</b> Performance Level 207</p>	<p><b>TMC-S-....TL</b> Performance Level 207</p>
Number of pins	09    15    25    37    50	09    15    25    37    50
<b>Standard</b>	<p>Standard version</p> <p><b>023132   023133   023019   023134   023135*</b></p>	<p>Standard version</p> <p><b>003552   003553   003554   003555   013920</b></p>

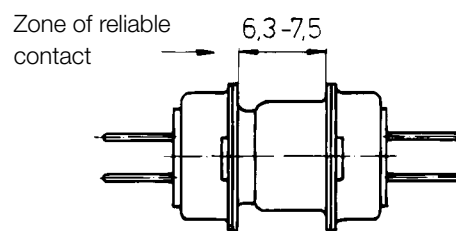
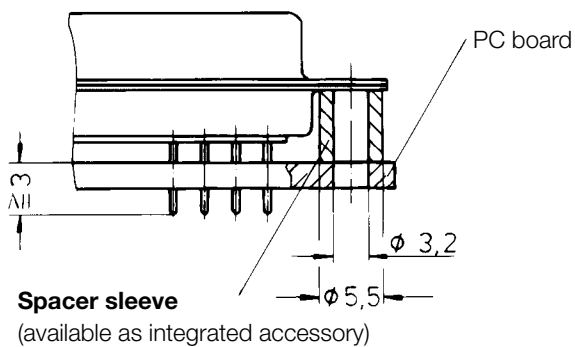
<p><b>Riveted nut and sleeve</b></p>	<p>Version with riveted nut and sleeve M3 as accessories</p> <p><b>023136   023137   023138   023139   023140*</b></p>	<p>Version with riveted nut and sleeve M3 as accessories</p> <p><b>003634   013052   003625   013702   013897</b></p>
	<p>Version with riveted nut and sleeve 4/40 as accessories</p> <p><b>023141   023142   023143   023144   023145*</b></p>	<p>Version with riveted nut and sleeve 4/40 as accessories</p> <p><b>003633   013551   003626   013701   013898</b></p>
<p><b>Threaded bolt and sleeve</b></p>	<p>Version with threaded bolt and sleeve M3 as accessories</p> <p><b>023146   023147   023148   023149   023150*</b></p>	<p>Version with threaded bolt and sleeve M3 as accessories</p> <p><b>003635   013550   003628   013700   013892</b></p>
	<p>Version with threaded bolt and sleeve 4/40 as accessories</p> <p><b>023151   023152   023153   023154   023155*</b></p>	<p>Version with threaded bolt and sleeve 4/40 as accessories</p> <p><b>003636   013549   003627   013699   013893</b></p>

D-Sub

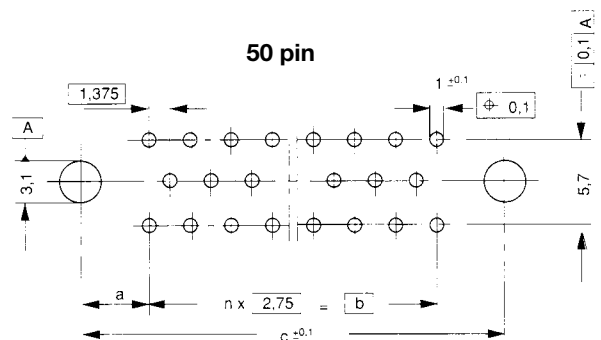
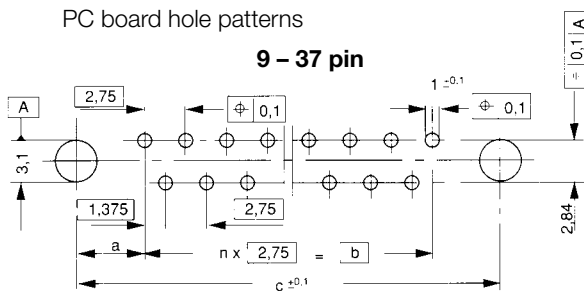
	Male connectors					Female connectors				
	TMC-P-....TL <i>Performance Level 207</i>					TMC-S-....TL <i>Performance Level 207</i>				
Number of pins	09	15	25	37	50	09	15	25	37	50
<b>Threaded bolt and sleeve</b> 	<i>Version with threaded bolt 4/40 and sleeve M3 as accessories</i>					<i>Version with threaded bolt 4/40 and sleeve M3 as accessories</i>				
	<b>023156</b>	<b>023157</b>	<b>023158</b>	<b>023159</b>	<b>023160*</b>	<b>013032</b>	<b>013033</b>	<b>013029</b>	<b>013034</b>	<b>003641</b>

### Assembly details

TMC with straight dip-solder termination



PC board hole patterns



Number of pins	a	b	c	n
9	7	11	25	4
15	7,025	19,25	33,3	7
25	7	33	47	12
37	7	49,5	63,5	18
50	8,55	44	61,1	16

## X-ON Electronics

Largest Supplier of Electrical and Electronic Components

*Click to view similar products for [D-Sub Standard Connectors](#) category:*

*Click to view products by [ERNI](#) manufacturer:*

Other Similar products are found below :

[56F711-015](#) [012-9507-004](#) [LV242999-142T12](#) [015-0341-000](#) [015-0349-000](#) [015-0372-005](#) [015-0372-008](#) [015-8755-001](#) [020419-0104](#) [012-0467-000](#) [012-0515-000](#) [012-9507-034](#) [012-9507-114](#) [020745-0008](#) [609-25P](#) [CT2-14S-2PCA34](#) [CT2-18-11PCAU](#) [CT2-36-15SC](#) [CT6-14S-2SC](#) [CT6E14SA7SC](#) [CT6E22-14PC](#) [CT6E22-14PS](#) [CT6E22-22PS](#) [M83513/01-FC](#) [M85049/48-3-2F](#) [6STD09PCM99B70X](#) [6STD09SCM99B30X](#) [6STD09SCT99S40X](#) [6STD15PCT99S40X](#) [6STD15SCM99B30X](#) [6STD15SCT99S40X](#) [6STF09PCM05B70X](#) [7-135760-9](#) [MC11E-10-6SN](#) [747552-3](#) [MD1-21PS](#) [MDM-15SCBRM7-F222](#) [MDM96517-699](#) [MDM96521-744](#) [MDVB1-21SL1](#) [MIK0-1-7SH003](#) [MIKQ6-7SH076](#) [MIKQ7-7PH077](#) [MIKQ7-7PH11](#) [MIKQ7-7PH32](#) [MIKQ9-7PH003](#) [MJSV-28SL61](#) [MKJ4A1F14-55S](#) [8-135760-3](#) [8STD09PCM99B30X](#)