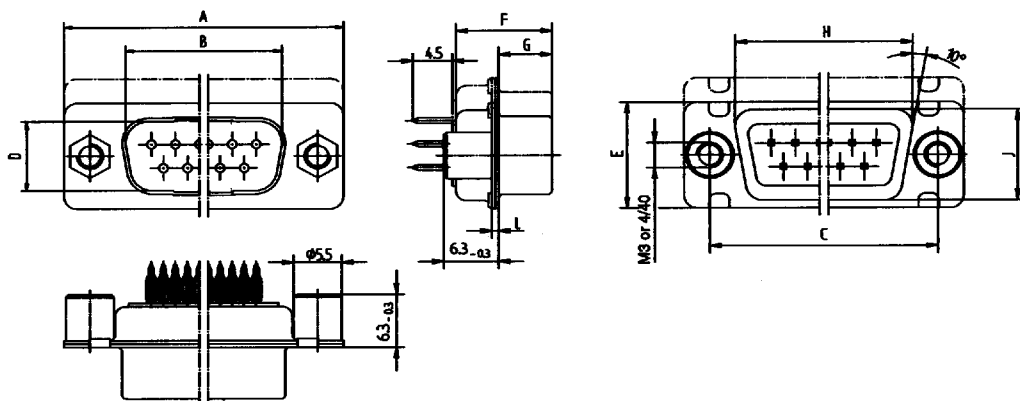


# ERNIPRESS™ D-Subminiature Pressfit Connectors - TMC Series Socket Connectors

## Dimensional Drawings Socket Connector



## Dimensions (in millimeters) Socket Connector

Number of Contacts	A ±0.3	B -0.2	C ±0.2	D -0.2	E ±0.3	F ±0.2	G -0.3	H ±0.3	J ±0.2
9	30.8	16.4	25.0	8.0	12.5	11.0	6.3	19.3	10.8
15	39.1	24.7	33.3	8.0	12.5	11.0	6.3	27.5	10.8
25	53.0	38.5	47.0	8.0	12.5	11.0	6.3	41.3	10.8
37	69.3	54.9	63.5	8.0	12.5	11.0	6.3	57.7	10.8
50	67.0	52.5	61.1	10.8	15.4	11.0	6.3	55.3	13.6

## Ordering Information

Number of Contacts	<b>TMC-S-...EE (Pressfit)</b> <i>Performance Class 2 with tin-lead pressfit terminals: 207</i>				
	9	15	25	37	50
Standoff	<i>Version with pre-installed non-threaded standoff</i>				
	<b>044 501 044 502 044 503 044 504 044 505</b>				
Standoff and nut	<i>Version with pre-installed #4/40 standoff</i>				
	<b>044 496 044 497 044 498 044 499 044 500</b>				
Standoff and nut	<i>Version with pre-installed #4/40 standoff and #4/40 nut</i>				
	<b>044 506 044 507 044 508 044 509 044 510</b>				
D	90E ■ 3379119 0000692 528 ■				

## Ordering Information for Pressfit Tools - Socket Connectors

Number of Contacts	Part Number: Upper Section	Part Number: Lower Section
9	471 717	473 258
15	471 718	
25	471 719	
37	471 720	
50	471 721	

Pressfit terminal length is 4.5mm, with the standoff height at 6.3mm. The effective length through the PCB of the pressfit terminal is 3.95mm.

## X-ON Electronics

Largest Supplier of Electrical and Electronic Components

*Click to view similar products for [D-Sub Standard Connectors](#) category:*

*Click to view products by [ERNI](#) manufacturer:*

Other Similar products are found below :

[56F711-015](#) [012-9507-004](#) [LV242999-142T12](#) [015-0341-000](#) [015-0349-000](#) [015-0372-005](#) [015-0372-008](#) [015-8755-001](#) [020419-0104](#) [012-0467-000](#) [012-0515-000](#) [012-9507-034](#) [012-9507-114](#) [020745-0008](#) [609-25P](#) [CT2-14S-2PCA34](#) [CT2-18-11PCAU](#) [CT2-36-15SC](#) [CT6-14S-2SC](#) [CT6E14SA7SC](#) [CT6E22-14PC](#) [CT6E22-14PS](#) [CT6E22-22PS](#) [M83513/01-FC](#) [M85049/48-3-2F](#) [6STD09PCM99B70X](#) [6STD09SCM99B30X](#) [6STD09SCT99S40X](#) [6STD15PCT99S40X](#) [6STD15SCM99B30X](#) [6STD15SCT99S40X](#) [6STF09PCM05B70X](#) [7-135760-9](#) [MC11E-10-6SN](#) [747552-3](#) [MD1-21PS](#) [MDM-15SCBRM7-F222](#) [MDM96517-699](#) [MDM96521-744](#) [MDVB1-21SL1](#) [MIK0-1-7SH003](#) [MIKQ6-7SH076](#) [MIKQ7-7PH077](#) [MIKQ7-7PH11](#) [MIKQ7-7PH32](#) [MIKQ9-7PH003](#) [MJSV-28SL61](#) [MKJ4A1F14-55S](#) [8-135760-3](#) [8STD09PCM99B30X](#)