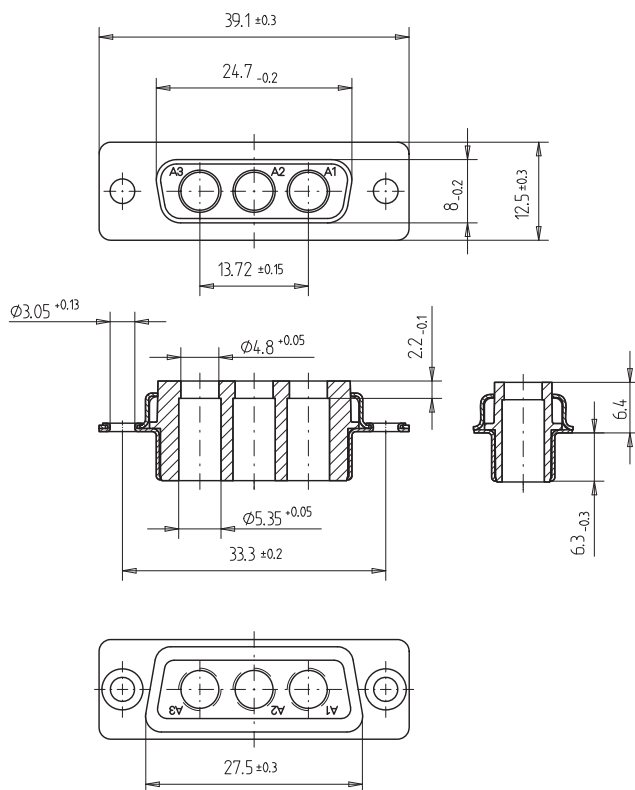


D-Sub Connectors

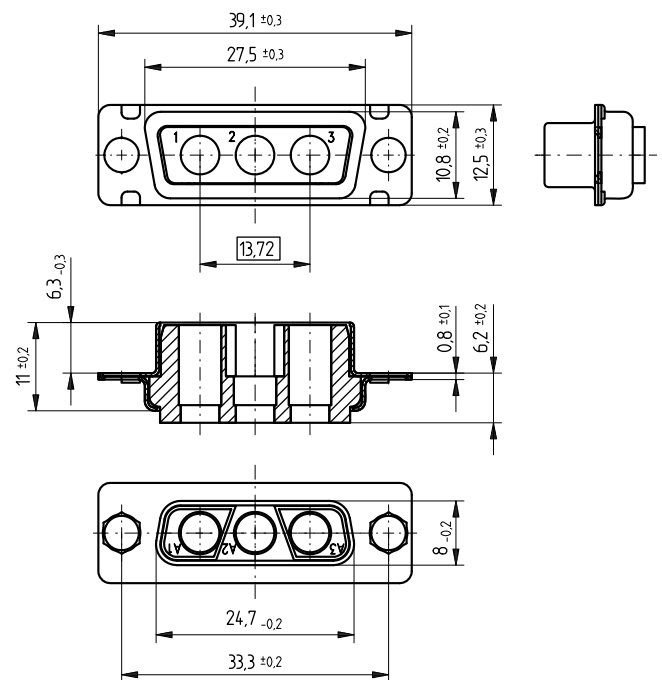
Housings for Female High Current Contacts



Dimensional Drawing 3W3



Dimensional Drawing 3WK3

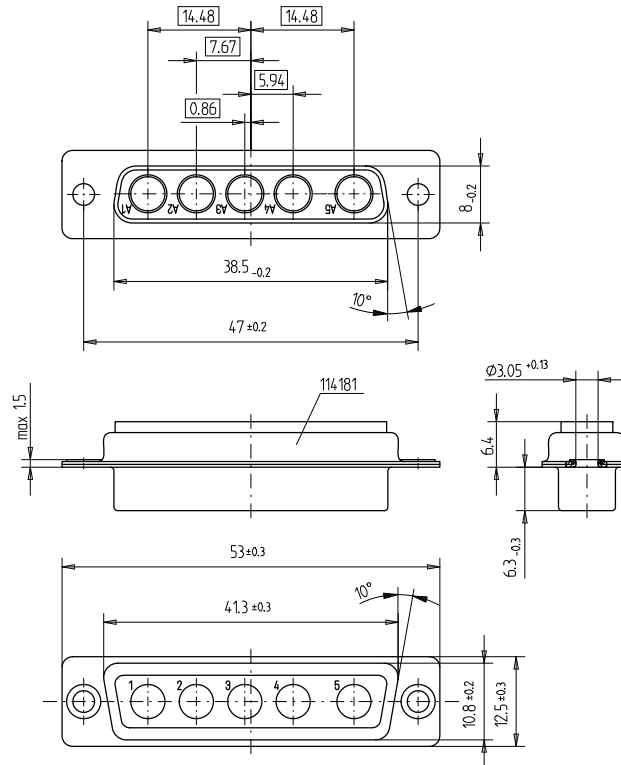


All dimensions in mm

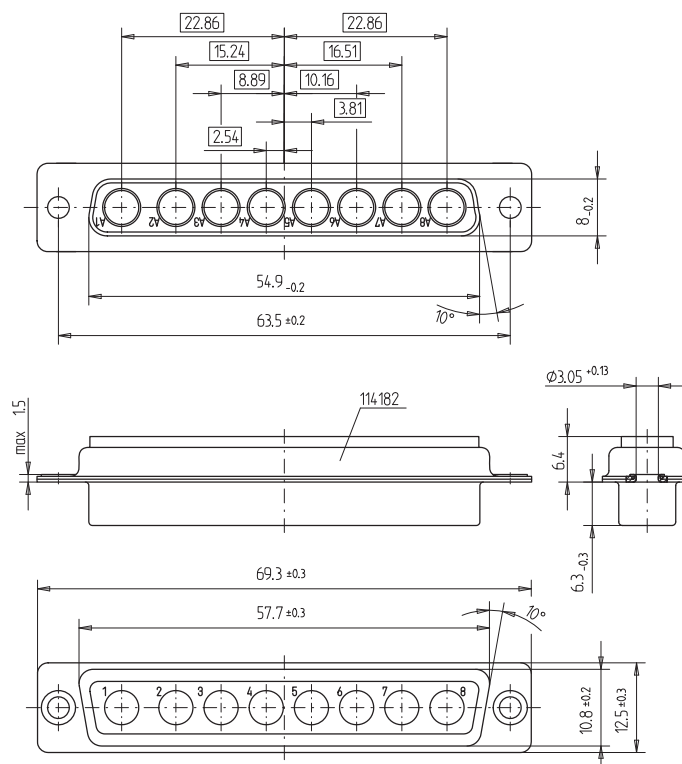
D-Sub Connectors

Housings for Female High Current Contacts

Dimensional Drawing 5W5



Dimensional Drawing 8W8



Alle dimensions in mm

Ordering Information

No. of Pins	Accessory Mating Side	Accessory Terminal Side	Part Number
3W3	None	–	053437
3WK3	None	–	114612
5W5	None	–	063507
8W8	None	–	103450

Female High Current Contacts for Handsolder

No. of Pins	Termination	Cable Diameter	Current	Part Number
–	Hand solder	AWG 16-20	10 A	594172
–	Hand solder	AWG 12-16	20 A	594174
–	Hand solder	AWG 8-12	40 A	594176

Female High Current Crimp Contacts

No. of Pins	Termination	Cable Diameter	Current	Part Number
–	Crimp	AWG 16-20	10 A	594178
–	Crimp	AWG 12-16	20 A	594180
–	Crimp	AWG 8-12	40 A	594182

Application Tooling

Configuration	Part Number
Hand Crimp tool	594184
Extraction tool	043736
Jacket if needed for replacement (for extraction tool)	043737

X-ON Electronics

Largest Supplier of Electrical and Electronic Components

Click to view similar products for [D-Sub Standard Connectors](#) category:

Click to view products by [ERNI](#) manufacturer:

Other Similar products are found below :

[56F711-015](#) [012-9507-004](#) [LV242999-142T12](#) [015-0341-000](#) [015-0349-000](#) [015-0372-005](#) [015-0372-008](#) [015-8755-001](#) [020419-0104](#) [012-0467-000](#) [012-0515-000](#) [012-9507-034](#) [012-9507-114](#) [020745-0008](#) [609-25P](#) [M24308/2-23Z](#) [CT2-14S-2PCA34](#) [CT2-18-11PCAU](#) [CT2-36-15SC](#) [CT6-14S-2SC](#) [CT6E14SA7SC](#) [CT6E22-14PC](#) [CT6E22-14PS](#) [CT6E22-22PS](#) [M83513/01-FC](#) [M85049/48-3-2F](#) [6STD09PCM99B70X](#) [6STD09SCM99B30X](#) [6STD09SCT99S40X](#) [6STD15PCT99S40X](#) [6STD15SCM99B30X](#) [6STD15SCT99S40X](#) [6STF09PCM05B70X](#) [7-135760-9](#) [MC11E-10-6SN](#) [747552-3](#) [MD1-21PS](#) [MDM-15SCBRM7-F222](#) [MDM96517-699](#) [MDM96521-744](#) [MDVB1-21SL1](#) [MIK0-1-7SH003](#) [MIKQ6-7SH076](#) [MIKQ7-7PH077](#) [MIKQ7-7PH11](#) [MIKQ7-7PH32](#) [MIKQ9-7PH003](#) [MJSV-28SL61](#) [MKJ4A1F14-55S](#) [8-135760-3](#)