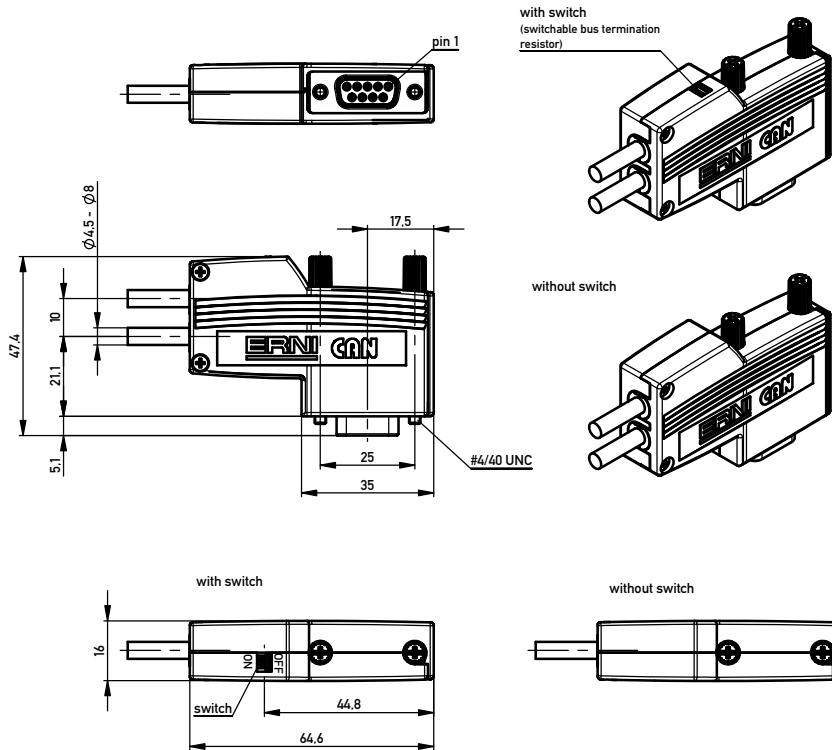
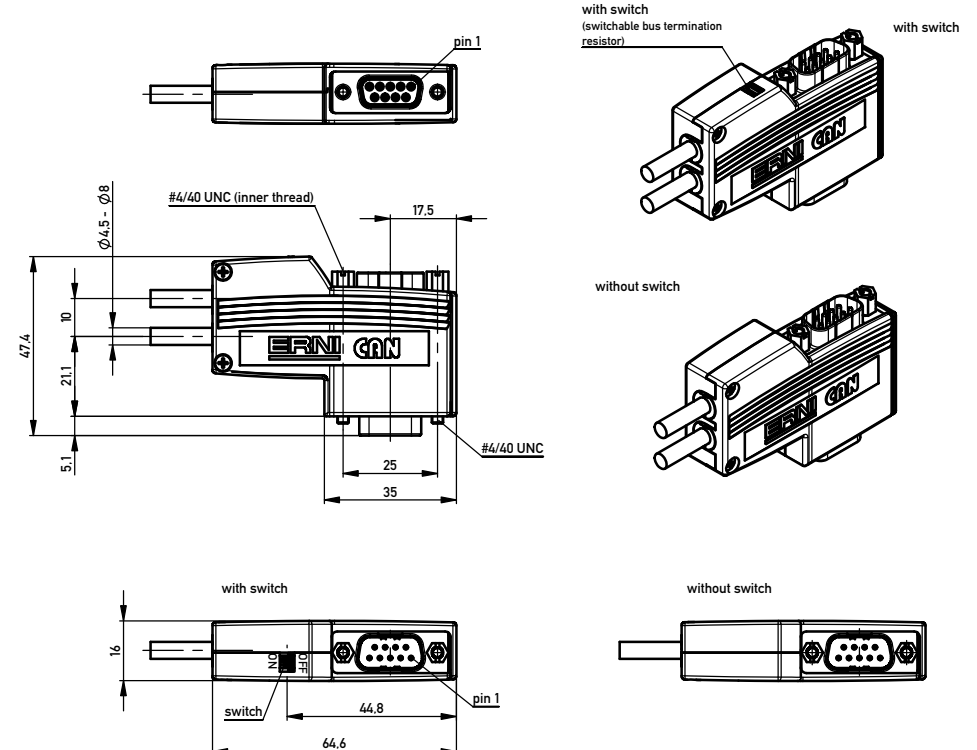


ERbic CAN, horizontal



ERbic CAN with PU interface, horizontal



144744	Switch	without	Spring clamp 6 pin	anthracite	CAN high, low, ground (HLG)	#4-40 UNC
103642	Node		Screw clamp 10 pin		CAN signals incl. power supply	
103668			Screw clamp 10 pin		CAN signals incl. power supply	
124620			Screw clamp 2x3 pin		CAN high, low, ground (HLG)	
124654			Screw clamp 2x3 pin		CAN high, low, ground (HLG)	
103644	Termination	green	Screw clamp 5 pin	CAN signals incl. power supply		
103643			Screw clamp 5 pin	CAN signals incl. power supply		
124655			Screw clamp 2x3 pin	CAN high, low, ground (HLG)		
124621			Screw clamp 2x3 pin	CAN high, low, ground (HLG)		
Part number	Type	Programming interface (PU)	Cable termination	Colour	Signals / Power supply	Fastening screw thread

154826	Switch	with	Spring clamp 6 pin	anthracite	CAN high, low, ground (HLG)	#4-40 UNC
103662	Node		Screw clamp 10 pin		CAN signals incl. power supply	
134149			Screw clamp 10 pin		CAN signals incl. power supply	
104670	Termination		Screw clamp 5 pin		green	
Part number	Type	Programming interface (PU)	Cable termination	Colour	Signals / Power supply	Fastening screw thread

- Notes:
1. Operating temperature: -20°C / +70°C
 2. Protection class: IP40
 3. Sealing plate: Drawing number 103356.

Information:	Tolerances	Scale 1:1	Angaben zu entsprechender Ident-Nr. siehe Fertigungsunterlagen. For further information about I.D. number see manufacturing document.
All rights reserved. Only for Information. To ensure that this is the latest version of this drawing, please contact one of the ERNI companies before using.	Subject to modification without prior notice. Drawing will not be updated.	Designation	
		ERbic horizontal CAN General plan	
ERNI www.ERNI.com	324265	I	A2
Index	Date	Class ERBIC	

X-ON Electronics

Largest Supplier of Electrical and Electronic Components

Click to view similar products for [D-Sub Standard Connectors](#) category:

Click to view products by [ERNI](#) manufacturer:

Other Similar products are found below :

[56F711-015](#) [012-9507-004](#) [LV242999-142T12](#) [015-0341-000](#) [015-0349-000](#) [015-0372-005](#) [015-0372-008](#) [015-8755-001](#) [020419-0104](#) [012-0467-000](#) [012-0515-000](#) [012-9507-034](#) [012-9507-114](#) [020745-0008](#) [609-25P](#) [M24308/2-23Z](#) [M24308315F](#) [CT2-14S-2PCA34](#) [CT2-18-11PCAU](#) [CT2-36-15SC](#) [CT6-14S-2SC](#) [CT6E14SA7SC](#) [CT6E22-14PC](#) [CT6E22-14PS](#) [CT6E22-22PS](#) [M83513/01-FC](#) [M85049/48-3-2F](#) [6STD09PCM99B70X](#) [6STD09SCM99B30X](#) [6STD09SCT99S40X](#) [6STD15PCT99S40X](#) [6STD15SCM99B30X](#) [6STD15SCT99S40X](#) [6STF09PCM05B70X](#) [7-135760-9](#) [MC11E-10-6SN](#) [747552-3](#) [MD1-21PS](#) [MDM-15SCBRM7-F222](#) [MDM96517-699](#) [MDM96521-744](#) [MDVB1-21SL1](#) [MIK0-1-7SH003](#) [MIKQ6-7SH076](#) [MIKQ7-7PH077](#) [MIKQ7-7PH11](#) [MIKQ7-7PH32](#) [MIKQ9-7PH003](#) [MJSV-28SL61](#) [MKJ4A1F14-55S](#)