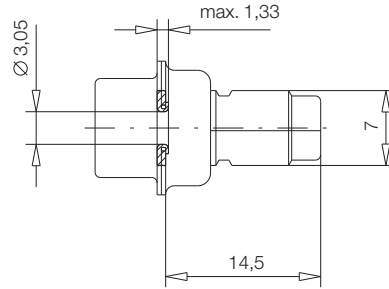
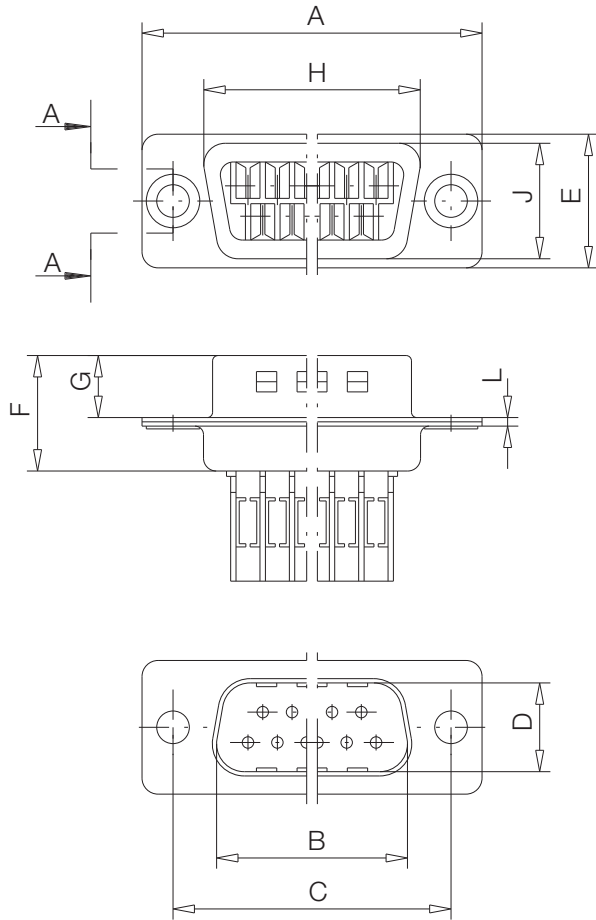


Schnitt A-A / cross-section A-A:



9	30.8	16.8	25.0	8.36	12.55	10.72	6.05	19.3	10.71		0.76		
15	39.1	25.1	33.3	8.36	12.55	10.72	6.05	27.5	10.71		0.76		
25	53.0	38.9	47.0	8.36	12.55	10.82	5.99	41.3	10.71		0.76		
37	69.3	55.3	63.5	8.36	12.55	10.82	5.99	57.7	10.71		0.76		
Polzahl/ No. of contacts	A ±0.4	B +0.25	C ±0.2	D ±0.13	E ±0.38	F ±0.25	G max.	H ±0.3	J ±0.25		L ±0.25		

Ident-Nr. / Part No. : Refer to table on page 2

Polzahl / No. of contacts : -

Anschlußart / Terminal Type : SKEC

Anschlußlänge / Terminal Length : -

Bauart / Type : -

Anforderungsstufe / Class : 207=0.8µm (30 µin) Au CONTACT, TIN/LEAD TERMINAL

Aufdruck / Logo : -

Zubehör / Accessory : NIET

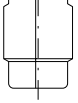
Sonderausführung / Special : -

Fehlende Masse und Angaben siehe DIN 41652 / Missing information and dimensions according to DIN 41652
 Sonstige Angaben siehe Fertigungsunterlagen / Additional indications please see the production documentation

Information:	Tolerances		Scale	2:1
All rights reserved. Only for information. To insure that this is the latest version of this drawing, please contact one of the ERNI companies before using.		Subject to modification without prior notice. Drawing will not be updated.		Designation
				TMC-P 9 bis 37-SKEC TMC-P 9 to 37-SKEC

Consider protection memo from DIN 54





Ordering Information for Processing Tools

Version

Standard Hand Crimp Tool	124774
--------------------------	--------

Automatic Hand Crimp Tool	124775
---------------------------	--------

Tool support for Table mounting	124776
---------------------------------	--------

Contact Extraction tool	124777
-------------------------	--------

X-ON Electronics

Largest Supplier of Electrical and Electronic Components

Click to view similar products for [D-Sub Standard Connectors](#) category:

Click to view products by [ERNI](#) manufacturer:

Other Similar products are found below :

[56F711-015](#) [012-9507-004](#) [LV242999-142T12](#) [015-0341-000](#) [015-0349-000](#) [015-0372-005](#) [015-0372-008](#) [015-8755-001](#) [020419-0104](#) [012-0467-000](#) [012-0515-000](#) [012-9507-034](#) [012-9507-114](#) [020745-0008](#) [609-25P](#) [M24308/2-23Z](#) [CT2-14S-2PCA34](#) [CT2-18-11PCAU](#) [CT2-36-15SC](#) [CT6-14S-2SC](#) [CT6E14SA7SC](#) [CT6E22-14PC](#) [CT6E22-14PS](#) [CT6E22-22PS](#) [M83513/01-FC](#) [M85049/48-3-2F](#) [6STD09PCM99B70X](#) [6STD09SCM99B30X](#) [6STD09SCT99S40X](#) [6STD15PCT99S40X](#) [6STD15SCM99B30X](#) [6STD15SCT99S40X](#) [6STF09PCM05B70X](#) [7-135760-9](#) [MC11E-10-6SN](#) [747552-3](#) [MD1-21PS](#) [MDM-15SCBRM7-F222](#) [MDM96517-699](#) [MDM96521-744](#) [MDVB1-21SL1](#) [MIK0-1-7SH003](#) [MIKQ6-7SH076](#) [MIKQ7-7PH077](#) [MIKQ7-7PH11](#) [MIKQ7-7PH32](#) [MIKQ9-7PH003](#) [MJSV-28SL61](#) [MKJ4A1F14-55S](#) [8-135760-3](#)