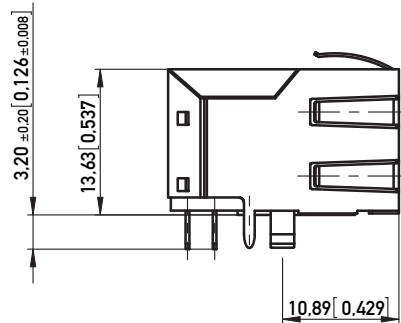
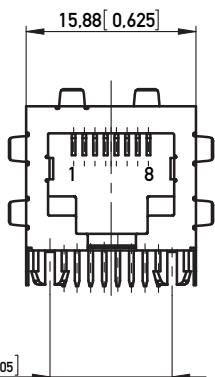
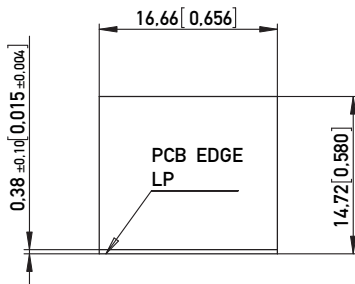
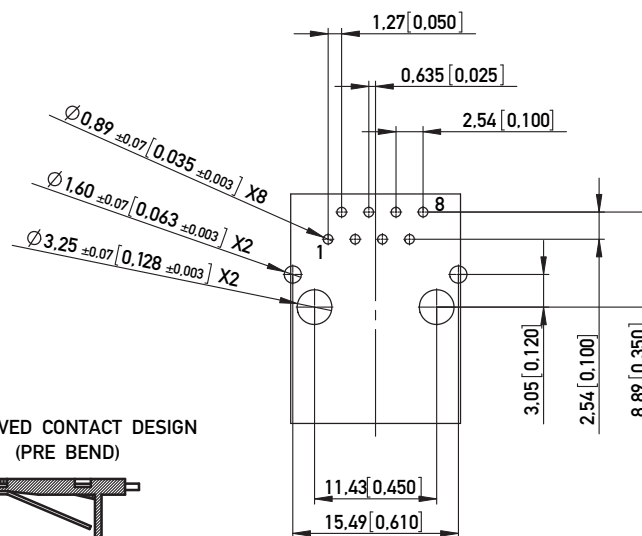


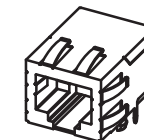
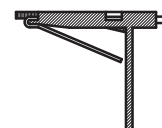
RECOMMENDED PANEL CUTOUT  
EMPFOHLENER FRONTPLATTEN-AUSSCHNITT



RECOMMENDED PCB LAYOUT (COMPONENT SIDE VIEW)  
EMPFOHLENES LEITERPLATTEN-LAYOUT (BESTUECKUNGSSEITE)  
TOL. ±0.05 [0.002] UNLESS NOTED



IMPROVED CONTACT DESIGN  
(PRE BEND)



1:1

- NOTE 1: SIDE SHIELD TABS IN REAR 3.05 mm  
NOTE 2: PANEL GROUND FLANGES BOTH SIDES AND TOP (GF5)  
NOTE 3: RoHS COMPLIANT

**Technical specifications**

Materials & Finish	Standard applic.	Value
Insulation body	Standard description	PBT 30%
Contact material	Standard description	C5210 (acc. JIS)
Contact finish, mating zone	Thickness of plating	30 µm Au over 50 µm Ni
Contact finish termination zone	Thickness of plating	80 µm matte Sn over 50 µm Ni
Shell/shield material	Standard description	C2680 (acc. JIS)
Shell/shield plating	Thickness of plating	50 µm Ni

Assembly process		
Packaging	Tray	
Solder temperature	235°C at 3-5s	
Suitable assembly process	wave	

Approvals		
UL insulation body	UL 94	V0
UL File No.		E145613
RoHS compliant		Yes

Test Data	Standard applic.	Value
<b>Mechanical properties</b>		
Insertion/withdrawal force	IEC 603-7	max. 20 N
Mechanical operations	IEC 512-5, 9a	min. 1.000
Effectiveness of connector coupling device	IEC 512-8, 15f	50 N

<b>Electrical properties</b>		
<b>Creepage / clearance distances</b>		
a) Contact - contact	IEC 807-3	0.52 mm
b) Contact - shell	IEC 807-3	min. 1.0 mm
<b>Voltage proof (Dielectric Withstand Voltage)</b>		
a) Contact - contact	IEC 512-2, 4a	min. 1.000 V AC/DC
b) Contact - shell/testpanel	IEC 512-2, 4a	min. 1.500 V AC/DC
Current carrying capacity	IEC 512-3, 5b	1.5 A @ 25° C
Contact resistance	IEC 512-2, 2a	max. 30 mOhm
Insulation resistance	IEC 512-2, 3a	min. 500 MOhm

<b>Environmental properties</b>		
Operation temperature		0 - 70° C

PART NO. IDENT. NR.	TRANSMISSION REQUIREMENT ÜBERTRAGUNGS- ANFORDERUNG	PCB HOLE NUMBERING LP BOHRUNGS- NUMERIERUNG		
<b>133167</b>	CATEGORY 5, DUAL TWIST	2 Ⓢ 4 Ⓢ 6 Ⓢ 8 Ⓢ 1 Ⓢ 3 Ⓢ 5 Ⓢ 7 Ⓢ		
Information:		Tolerances	Scale	2:1
All rights reserved. Only for Information. To insure that this is the latest version of this drawing, please contact one of the ERNI companies before using.		 All Dimensions in mm(in)	Designation	
		Subject to modification without prior notice. Drawing will not be updated.	<b>MOD JACK - MJR</b> <b>8P8C, 1X1, CAT 5</b>	
		 www.ERNI.com	<b>133703</b>	
E	05.07.2007			I (1/1)
Index	Date			A3
			Class	MJ

Copyright by ERNI GmbH  
Proprietary notices pursuant to ISO 16014 to be observed

## X-ON Electronics

Largest Supplier of Electrical and Electronic Components

*Click to view similar products for [Modular Connectors / Ethernet Connectors](#) category:*

*Click to view products by [ERNI](#) manufacturer:*

Other Similar products are found below :

[8949-H88/06BLKA/SN](#) [74441-0010/BKN](#) [MP1010RX-1000](#) [MP44RX-1000](#) [PHJ-4P4C-1-V-4](#) [PHP-6P6C-5](#) [GAX-3-66](#) [GAX-8-62](#) [GDCX-PA-66-50](#) [GDCX-PN-64](#) [GDCX-PN-66](#) [GDCX-PN-66-50](#) [GDLX-A-66](#) [GDLX-N-66](#) [GDLX-S-66](#) [GDLX-S-88K](#) [GDLX-SMT-S-88](#) [GDTX-S-88-50](#) [GDX-PA-1010](#) [GLX-N-1010M-BLK](#) [GLX-S-88M-BLK](#) [GMX-N-1010](#) [GMX-S-1010](#) [GMX-S-66](#) [GMX-SMT4-N-88](#) [GPX-2-64](#) [GSGX-N-2-88](#) [GSGX-N-4-88](#) [GSX-NS2-88-3.05](#) [GSX-NS2-88-3.05-50](#) [GSX-NS-88-3.05-50](#) [PT-108A-8C-UL](#) [PT-J951-8C](#) [PTS-J531-8CS-50UL](#) [1-1775629-2](#) [A-2014-0-4](#) [GWLX-S-88-GR](#) [GWLX-S9-88-YG](#) [DC-1021-8-WH-6](#) [1300530003](#) [1324640-4](#) [RJ11FTVC2G](#) [RJ11FTVC2N](#) [RJFTVX2SA1G](#) [132764-001](#) [1413235](#) [MP88X-1000](#) [MPS88RX-5000](#) [E5288-S000K3-L](#) [E5908-15A242-L](#)