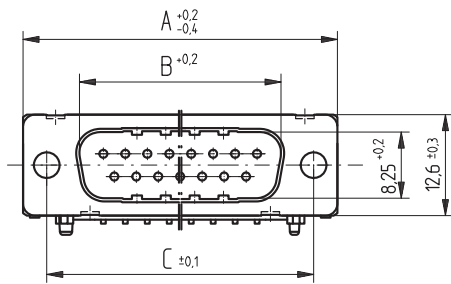


D-Sub Connectors

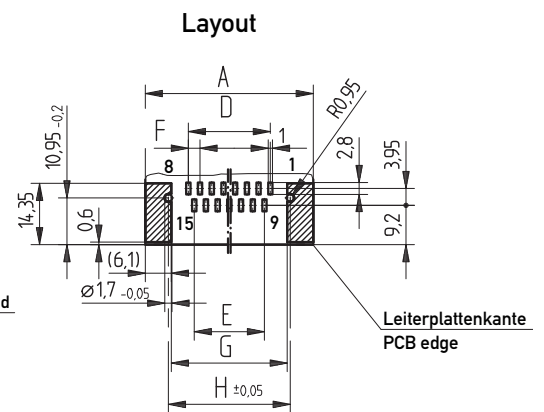
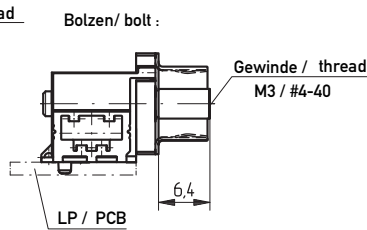
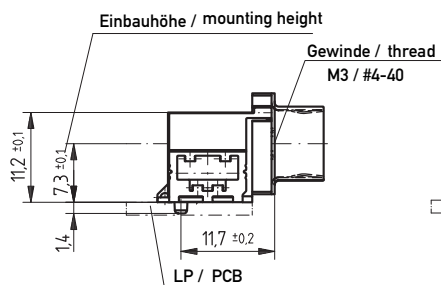
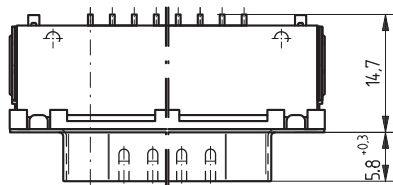
Right Angle Male



Dimensional Drawing SMT, Assembly Height 7.3 mm



9	31.0	16.8	25.0	10.96	8.22	2.74	20.2	23.2
15	39.3	25.1	33.3	19.18	16.44	2.74	28.5	31.5
25	53.0	38.9	47.0	33.12	30.36	2.76	42.2	45.2
37	69.5	55.3	63.5	49.68	46.92	2.76	58.7	61.7
Pohlzahl No. of contacts	A	B	C	D	E	F	G	H

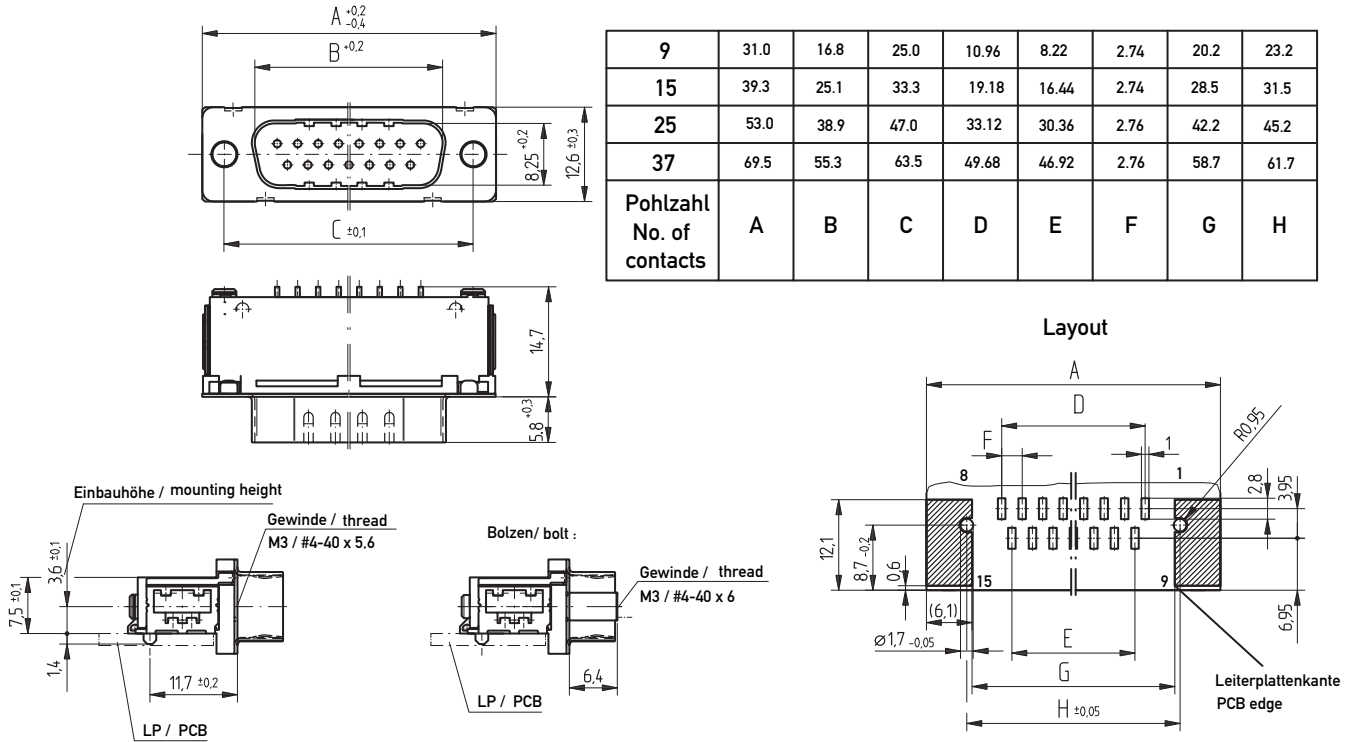


All dimensions in mm

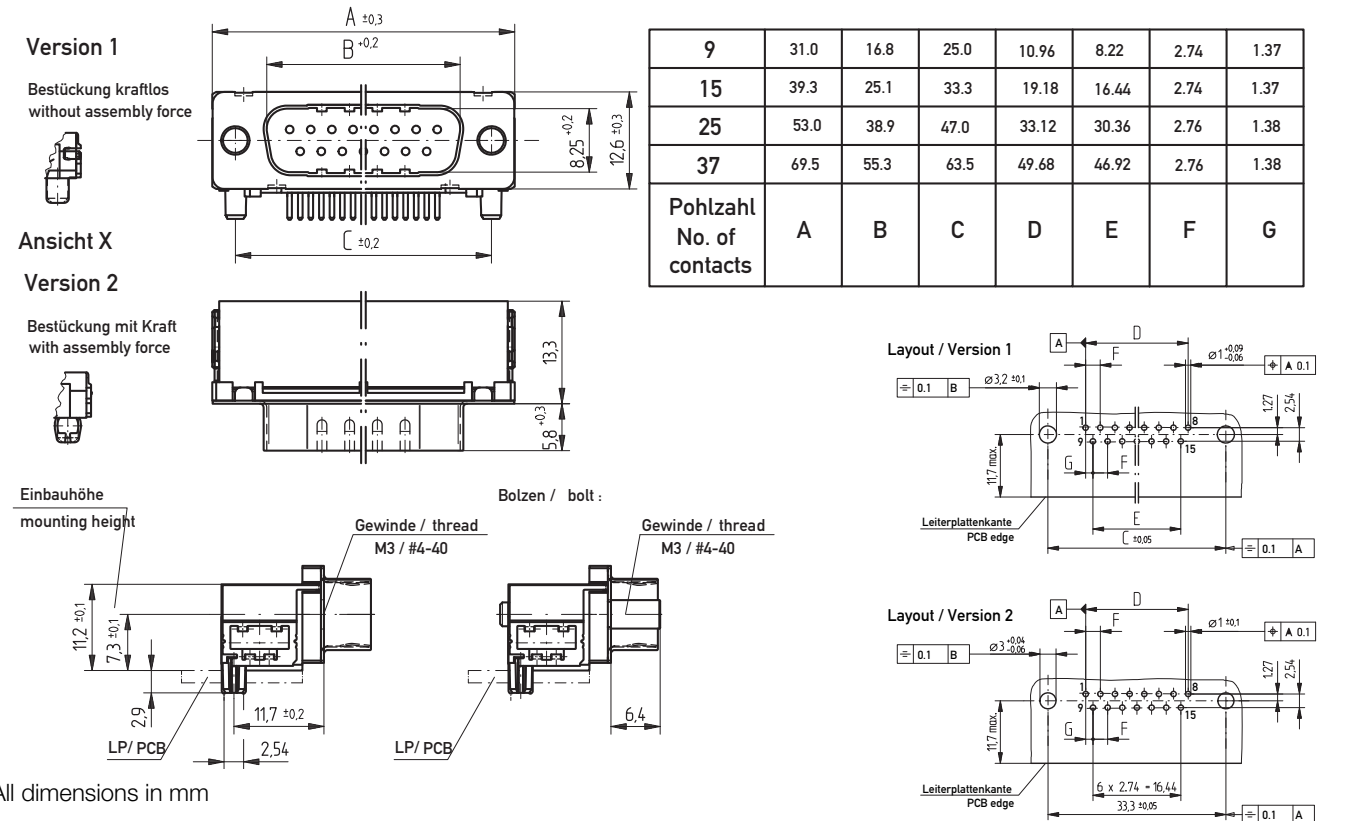
D-Sub Connectors

Right Angle Male

Dimensional Drawing SMT, Assembly Height 3.6 mm



Dimensional Drawing THR, Assembly Height 7.3 mm

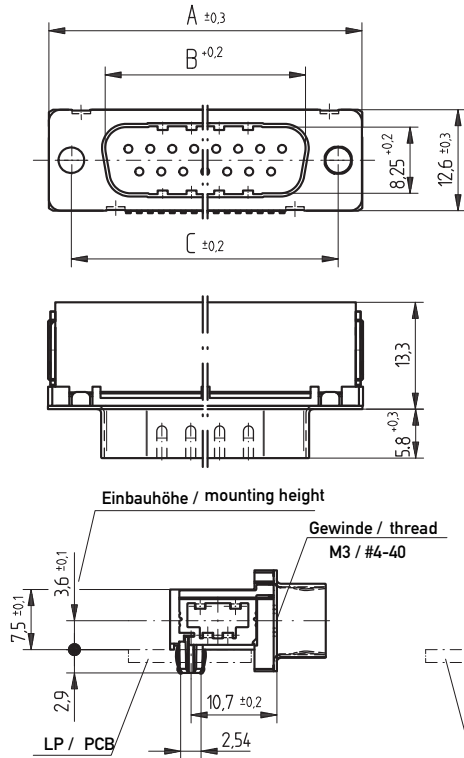


All dimensions in mm

D-Sub Connectors

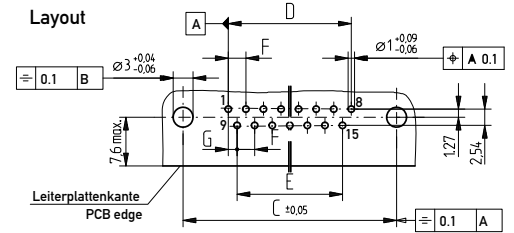
Right Angle Male

Dimensional Drawing Pressfit (Clip), Assembly Height 3.6 mm

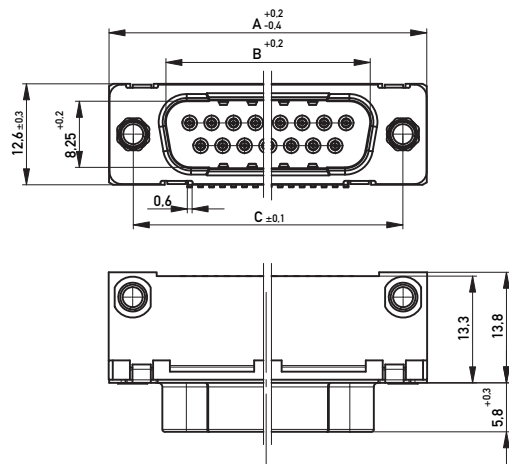


9	31.0	16.8	25.0	10.96	8.22	2.74	1.37
15	39.3	25.1	33.3	19.18	16.44	2.74	1.37
25	53.0	38.9	47.0	33.12	30.36	2.76	1.38
37	69.5	55.3	63.5	49.68	46.92	2.76	1.38
Pohlzahl No. of contacts	A	B	C	D	E	F	G

Metal plating of plated-through hole see drawing 164062
 No. 6 + 12

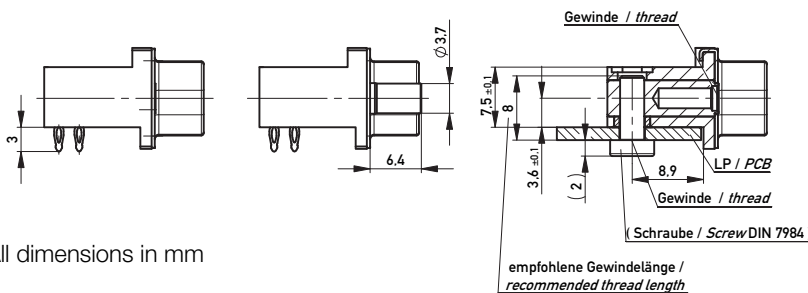


Dimensional Drawing Pressfit (Screw), Assembly Height 3.6 mm

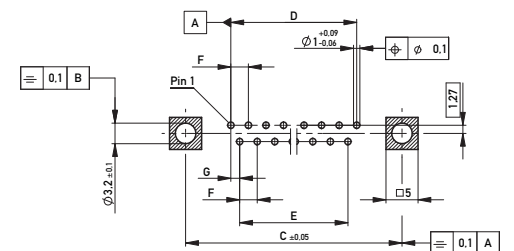


9	31.00	16.80	25.00	10.96	8.22	2.74	1.37
15	39.30	25.10	33.30	19.18	16.44	2.74	1.37
25	53.00	38.90	47.00	33.12	30.36	2.76	1.38
37	69.50	55.30	63.50	49.68	46.92	2.76	1.38
Pohlzahl No. of contacts	A	B	C	D	E	F	G

Metal plating of plated-through hole see drawing 164062
 No. 6 + 12

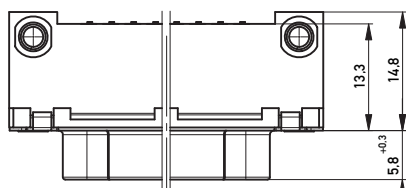
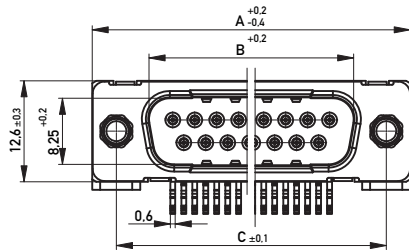


Layoutvorschlag
recommended layout



All dimensions in mm

Dimensional Drawing Pressfit (Screw), Assembly Height 7.3 mm



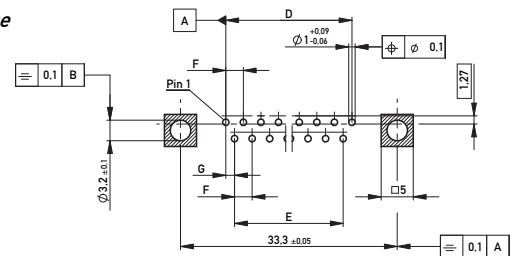
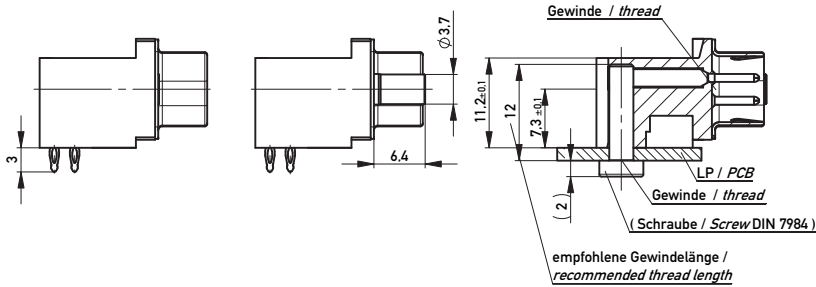
9	31.00	16.80	25.00	10.96	8.22	2.74	1.37
15	39.30	25.10	33.30	19.18	16.44	2.74	1.37
25	53.00	38.90	47.00	33.12	30.36	2.76	1.38
37	69.50	55.30	63.50	49.68	46.92	2.76	1.38
<i>Pohlzahl No. of contacts</i>	A	B	C	D	E	F	G

Metal plating of plated-through hole see drawing 164062
No. 6 + 12

Mutter / nut

Bolzen / bolt

Anwendungsbeispiel / example of use



All dimensions in mm

D-Sub Connectors

Right Angle Male 9 Pin

Ordering Information

SMT Versions

No. of Pins	Termination	Assembly Height	Termination Length	Accessory Mating Side	Accessory Terminal Side	Packaging	Part Number
9	SMT	3.6 mm	–	None	–	Tray (32 pcs)	174501
9	SMT	3.6 mm	–	None	–	Tape & Reel (125 pcs)	214339
9	SMT	3.6 mm	–	Thread M3	–	Tray (32 pcs)	214639
9	SMT	3.6 mm	–	Thread 4-40 UNC	–	Tray (32 pcs)	204769
9	SMT	3.6 mm	–	Thread 4-40 UNC	–	Tape & Reel (125 pcs)	214776
9	SMT	3.6 mm	–	Threaded bolt M3	–	Tray (32 pcs)	154093
9	SMT	3.6 mm	–	Threaded bolt 4-40 UNC	–	Tray (32 pcs)	154094
9	SMT	7.3 mm	–	None	–	Tray (32 pcs)	174416
9	SMT	7.3 mm	–	None	–	Tape & Reel (75 pcs)	234940
9	SMT	7.3 mm	–	Thread M3	–	Tray (32 pcs)	154187
9	SMT	7.3 mm	–	Thread 4-40 UNC	–	Tray (32 pcs)	154188
9	SMT	7.3 mm	–	Thread 4-40 UNC	–	Tape & Reel (75 pcs)	223066
9	SMT	7.3 mm	–	Threaded bolt M3	–	Tray (32 pcs)	154189
9	SMT	7.3 mm	–	Threaded bolt 4-40 UNC	–	Tray (32 pcs)	154190

Ordering Information

THR Versions

No. of Pins	Termination	Assembly Height	Termination Length	Accessory Mating Side	Accessory Terminal Side	Packaging	Part Number
9	THR	3.6 mm	3.0 mm	None	Clip with assembly force	Tray (32 pcs)	174408
9	THR	3.6 mm	3.0 mm	None	Clip without assembly force	Tray (32 pcs)	204443
9	THR	3.6 mm	3.0 mm	Thread M3	Clip with assembly force	Tray (32 pcs)	154107
9	THR	3.6 mm	3.0 mm	Thread M3	Clip without assembly force	Tray (32 pcs)	204439
9	THR	3.6 mm	3.0 mm	Thread 4-40 UNC	Clip with assembly force	Tray (32 pcs)	154108
9	THR	3.6 mm	3.0 mm	Thread 4-40 UNC	Clip without assembly force	Tray (32 pcs)	204440
9	THR	3.6 mm	3.0 mm	Threaded bolt M3	Clip with assembly force	Tray (32 pcs)	154109
9	THR	3.6 mm	3.0 mm	Threaded bolt M3	Clip without assembly force	Tray (32 pcs)	204441
9	THR	3.6 mm	3.0 mm	Threaded bolt 4-40 UNC	Clip with assembly force	Tray (32 pcs)	154110
9	THR	3.6 mm	3.0 mm	Threaded bolt 4-40 UNC	Clip without assembly force	Tray (32 pcs)	204442
9	THR	3.6 mm	3.0 mm	Threaded bolt 4-40 UNC	Clip without assembly force	Tape & Reel (125 pcs)	223165

D-Sub Connectors

Right Angle Male 9 Pin

Ordering Information

THR Versions

No. of Pins	Termination	Assembly Height	Termination Length	Accessory Mating Side	Accessory Terminal Side	Packaging	Part Number
9	THR	7.3 mm	3.0 mm	None	Clip with assembly force	Tray (32 pcs)	174420
9	THR	7.3 mm	3.0 mm	None	Clip without assembly force	Tray (32 pcs)	204467
9	THR	7.3 mm	3.0 mm	Thread M3	Clip with assembly force	Tray (32 pcs)	154203
9	THR	7.3 mm	3.0 mm	Thread M3	Clip without assembly force	Tray (32 pcs)	204463
9	THR	7.3 mm	3.0 mm	Thread 4-40 UNC	Clip with assembly force	Tray (32 pcs)	154204
9	THR	7.3 mm	3.0 mm	Thread 4-40 UNC	Clip without assembly force	Tray (32 pcs)	204464
9	THR	7.3 mm	3.0 mm	Thread 4-40 UNC	Clip without assembly force	Tape & Reel (75 pcs)	224844
9	THR	7.3 mm	3.0 mm	Threaded bolt M3	Clip with assembly force	Tray (32 pcs)	154205
9	THR	7.3 mm	3.0 mm	Threaded bolt M3	Clip without assembly force	Tray (32 pcs)	204465
9	THR	7.3 mm	3.0 mm	Threaded bolt 4-40 UNC	Clip with assembly force	Tray (32 pcs)	154206
9	THR	7.3 mm	3.0 mm	Threaded bolt 4-40 UNC	Clip without assembly force	Tray (32 pcs)	204466

Ordering Information

Pressfit Versions

No. of Pins	Termination	Assembly Height	Termination Length	Accessory Mating Side	Accessory Terminal Side	Packaging	Part Number
9	Pressfit	3.6 mm	3.0 mm	None	Clip	Tray (32 pcs)	174412
9	Pressfit	3.6 mm	3.0 mm	Thread M3	Clip	Tray (32 pcs)	154123
9	Pressfit	3.6 mm	3.0 mm	Thread 4-40 UNC	Clip	Tray (32 pcs)	154124
9	Pressfit	3.6 mm	3.0 mm	Threaded bolt M3	Clip	Tray (32 pcs)	154125
9	Pressfit	3.6 mm	3.0 mm	Threaded bolt 4-40 UNC	Clip	Tray (32 pcs)	154126
9	Pressfit	7.3 mm	3.0 mm	None	Clip	Tray (32 pcs)	174424
9	Pressfit	7.3 mm	3.0 mm	Thread M3	Clip	Tray (32 pcs)	154219
9	Pressfit	7.3 mm	3.0 mm	Thread 4-40 UNC	Clip	Tray (32 pcs)	154220
9	Pressfit	7.3 mm	3.0 mm	Threaded bolt M3	Clip	Tray (32 pcs)	154221
9	Pressfit	7.3 mm	3.0 mm	Threaded bolt 4-40 UNC	Clip	Tray (32 pcs)	154222
9	Pressfit	3.6 mm	3.0 mm	Thread M3	Screw M3	Tray (32 pcs)	284488
9	Pressfit	3.6 mm	3.0 mm	Thread 4-40 UNC	Screw 4-40 UNC	Tray (32 pcs)	284489
9	Pressfit	3.6 mm	3.0 mm	Threaded bolt 4-40 UNC	Screw 4-40 UNC	Tray (32 pcs)	284490
9	Pressfit	7.3 mm	3.0 mm	Thread 4-40 UNC	Screw 4-40 UNC	Tray (32 pcs)	284500
9	Pressfit	7.3 mm	3.0 mm	Threaded bolt 4-40 UNC	Screw 4-40 UNC	Tray (32 pcs)	284501
9	Pressfit	7.3 mm	3.0 mm	Threaded bolt 4-40 UNC	Screw M3	Tray (32 pcs)	284502

D-Sub Connectors

Right Angle Male 15 Pin

Ordering Information

SMT Versions

No. of Pins	Termination	Assembly Height	Termination Length	Accessory Mating Side	Accessory Terminal Side	Packaging	Part Number
15	SMT	3.6 mm	–	None	–	Tray (24 pcs)	174405
15	SMT	3.6 mm	–	Thread M3	–	Tray (24 pcs)	214640
15	SMT	3.6 mm	–	Thread 4-40 UNC	–	Tray (24 pcs)	204770
15	SMT	3.6 mm	–	Threaded bolt M3	–	Tray (24 pcs)	154097
15	SMT	3.6 mm	–	Threaded bolt 4-40 UNC	–	Tray (24 pcs)	154098
15	SMT	7.3 mm	–	None	–	Tray (24 pcs)	174417
15	SMT	7.3 mm	–	Thread M3	–	Tray (24 pcs)	154191
15	SMT	7.3 mm	–	Thread 4-40 UNC	–	Tray (24 pcs)	154192
15	SMT	7.3 mm	–	Threaded bolt M3	–	Tray (24 pcs)	154193
15	SMT	7.3 mm	–	Threaded bolt 4-40 UNC	–	Tray (24 pcs)	154194
15	SMT	7.3 mm	–	Threaded bolt 4-40 UNC	–	Tape & Reel (75 pcs)	174990

Ordering Information

THR Versions

No. of Pins	Termination	Assembly Height	Termination Length	Accessory Mating Side	Accessory Terminal Side	Packaging	Part Number
15	THR	3.6 mm	3.0 mm	None	Clip with assembly force	Tray (24 pcs)	174409
15	THR	3.6 mm	3.0 mm	None	Clip without assembly force	Tray (24 pcs)	204449
15	THR	3.6 mm	3.0 mm	Thread M3	Clip with assembly force	Tray (24 pcs)	154111
15	THR	3.6 mm	3.0 mm	Thread M3	Clip without assembly force	Tray (24 pcs)	204445
15	THR	3.6 mm	3.0 mm	Thread 4-40 UNC	Clip with assembly force	Tray (24 pcs)	154112
15	THR	3.6 mm	3.0 mm	Thread 4-40 UNC	Clip without assembly force	Tray (24 pcs)	204446
15	THR	3.6 mm	3.0 mm	Threaded bolt M3	Clip with assembly force	Tray (24 pcs)	154113
15	THR	3.6 mm	3.0 mm	Threaded bolt M3	Clip without assembly force	Tray (24 pcs)	204447
15	THR	3.6 mm	3.0 mm	Threaded bolt 4-40 UNC	Clip with assembly force	Tray (24 pcs)	154114
15	THR	3.6 mm	3.0 mm	Threaded bolt 4-40 UNC	Clip without assembly force	Tray (24 pcs)	204448

D-Sub Connectors

Right Angle Male 15 Pin

Ordering Information

No. of Pins	Termination	Assembly Height	Termination Length	Accessory Mating Side	Accessory Terminal Side	Packaging	Part Number
15	THR	7.3 mm	3.0 mm	None	Clip with assembly force	Tray (24 pcs)	174421
15	THR	7.3 mm	3.0 mm	None	Clip without assembly force	Tray (24 pcs)	204473
15	THR	7.3 mm	3.0 mm	Thread M3	Clip with assembly force	Tray (24 pcs)	154207
15	THR	7.3 mm	3.0 mm	Thread M3	Clip without assembly force	Tray (24 pcs)	204469
15	THR	7.3 mm	3.0 mm	Thread 4-40 UNC	Clip with assembly force	Tray (24 pcs)	154208
15	THR	7.3 mm	3.0 mm	Thread 4-40 UNC	Clip without assembly force	Tray (24 pcs)	204470
15	THR	7.3 mm	3.0 mm	Threaded bolt M3	Clip with assembly force	Tray (24 pcs)	154209
15	THR	7.3 mm	3.0 mm	Threaded bolt M3	Clip without assembly force	Tray (24 pcs)	204471
15	THR	7.3 mm	3.0 mm	Threaded bolt 4-40 UNC	Clip with assembly force	Tray (24 pcs)	154210
15	THR	7.3 mm	3.0 mm	Threaded bolt 4-40 UNC	Clip without assembly force	Tray (24 pcs)	204472

D-Sub Connectors

Right Angle Male 15 Pin

Ordering Information

Pressfit Versions

No. of Pins	Termination	Assembly Height	Termination Length	Accessory Mating Side	Accessory Terminal Side	Packaging	Part Number
15	Pressfit	3.6 mm	3.0 mm	None	Clip	Tray (24 pcs)	174413
15	Pressfit	3.6 mm	3.0 mm	Thread M3	Clip	Tray (24 pcs)	154127
15	Pressfit	3.6 mm	3.0 mm	Thread 4-40 UNC	Clip	Tray (24 pcs)	154128
15	Pressfit	3.6 mm	3.0 mm	Threaded bolt M3	Clip	Tray (24 pcs)	154129
15	Pressfit	3.6 mm	3.0 mm	Threaded bolt 4-40 UNC	Clip	Tray (24 pcs)	154130
15	Pressfit	7.3 mm	3.0 mm	None	Clip	Tray (24 pcs)	174425
15	Pressfit	7.3 mm	3.0 mm	Thread M3	Clip	Tray (24 pcs)	154223
15	Pressfit	7.3 mm	3.0 mm	Thread 4-40 UNC	Clip	Tray (24 pcs)	154224
15	Pressfit	7.3 mm	3.0 mm	Threaded bolt M3	Clip	Tray (24 pcs)	154225
15	Pressfit	7.3 mm	3.0 mm	Threaded bolt 4-40 UNC	Clip	Tray (24 pcs)	154226
15	Pressfit	3.6 mm	3.0 mm	Thread M3	Screw M3	Tray (24 pcs)	284491
15	Pressfit	3.6 mm	3.0 mm	Thread 4-40 UNC	Screw 4-40 UNC	Tray (24 pcs)	284492
15	Pressfit	3.6 mm	3.0 mm	Threaded bolt 4-40 UNC	Screw 4-40 UNC	Tray (24 pcs)	284493
15	Pressfit	7.3 mm	3.0 mm	Thread 4-40 UNC	Screw 4-40 UNC	Tray (24 pcs)	284503
15	Pressfit	7.3 mm	3.0 mm	Threaded bolt 4-40 UNC	Screw 4-40 UNC	Tray (24 pcs)	284504
15	Pressfit	7.3 mm	3.0 mm	Threaded bolt 4-40 UNC	Screw M3	Tray (24 pcs)	284505

D-Sub Connectors

Right Angle Male 25 Pin

Ordering Information

SMT Versions

No. of Pins	Termination	Assembly Height	Termination Length	Accessory Mating Side	Accessory Terminal Side	Packaging	Part Number
25	SMT	3.6 mm	–	None	–	Tray (20 pcs)	174406
25	SMT	3.6 mm	–	Thread M3	–	Tray (20 pcs)	214641
25	SMT	3.6 mm	–	Thread 4-40 UNC	–	Tray (20 pcs)	204771
25	SMT	3.6 mm	–	Threaded bolt M3	–	Tray (20 pcs)	154101
25	SMT	3.6 mm	–	Threaded bolt 4-40 UNC	–	Tray (20 pcs)	154102
25	SMT	7.3 mm	–	None	–	Tray (20 pcs)	174418
25	SMT	7.3 mm	–	None	–	Tape & Reel (75 pcs)	234942
25	SMT	7.3 mm	–	Thread M3	–	Tray (20 pcs)	154195
25	SMT	7.3 mm	–	Thread 4-40 UNC	–	Tray (20 pcs)	154196
25	SMT	7.3 mm	–	Threaded bolt M3	–	Tray (20 pcs)	154197
25	SMT	7.3 mm	–	Threaded bolt 4-40 UNC	–	Tray (20 pcs)	154198

D-Sub Connectors

Right Angle Male 25 Pin

Ordering Information

THR Versions

No. of Pins	Termination	Assembly Height	Termination Length	Accessory Mating Side	Accessory Terminal Side	Packaging	Part Number
25	THR	3.6 mm	3.0 mm	None	Clip with assembly force	Tray (20 pcs)	174410
25	THR	3.6 mm	3.0 mm	None	Clip without assembly force	Tray (20 pcs)	204455
25	THR	3.6 mm	3.0 mm	Thread M3	Clip with assembly force	Tray (20 pcs)	154115
25	THR	3.6 mm	3.0 mm	Thread M3	Clip without assembly force	Tray (20 pcs)	204451
25	THR	3.6 mm	3.0 mm	Thread 4-40 UNC	Clip with assembly force	Tray (20 pcs)	154116
25	THR	3.6 mm	3.0 mm	Thread 4-40 UNC	Clip without assembly force	Tray (20 pcs)	204452
25	THR	3.6 mm	3.0 mm	Threaded bolt M3	Clip with assembly force	Tray (20 pcs)	154117
25	THR	3.6 mm	3.0 mm	Threaded bolt M3	Clip without assembly force	Tray (20 pcs)	204453
25	THR	3.6 mm	3.0 mm	Threaded bolt 4-40 UNC	Clip with assembly force	Tray (20 pcs)	154118
25	THR	3.6 mm	3.0 mm	Threaded bolt 4-40 UNC	Clip without assembly force	Tray (20 pcs)	204454

D-Sub Connectors

Right Angle Male 25 Pin

Ordering Information

THR Versions

No. of Pins	Termination	Assembly Height	Termination Length	Accessory Mating Side	Accessory Terminal Side	Packaging	Part Number
25	THR	7.3 mm	3.0 mm	None	Clip with assembly force	Tray (20 pcs)	174422
25	THR	7.3 mm	3.0 mm	None	Clip without assembly force	Tray (20 pcs)	204479
25	THR	7.3 mm	3.0 mm	Thread M3	Clip with assembly force	Tray (20 pcs)	154211
25	THR	7.3 mm	3.0 mm	Thread M3	Clip without assembly force	Tray (20 pcs)	204475
25	THR	7.3 mm	3.0 mm	Thread M3	Clip without assembly force	Tape & Reel (75 pcs)	254307
25	THR	7.3 mm	3.0 mm	Thread 4-40 UNC	Clip with assembly force	Tray (20 pcs)	154212
25	THR	7.3 mm	3.0 mm	Thread 4-40 UNC	Clip without assembly force	Tray (20 pcs)	204476
25	THR	7.3 mm	3.0 mm	Threaded bolt M3	Clip with assembly force	Tray (20 pcs)	154213
25	THR	7.3 mm	3.0 mm	Threaded bolt M3	Clip without assembly force	Tray (20 pcs)	204477
25	THR	7.3 mm	3.0 mm	Threaded bolt 4-40 UNC	Clip with assembly force	Tray (20 pcs)	154214
25	THR	7.3 mm	3.0 mm	Threaded bolt 4-40 UNC	Clip without assembly force	Tray (20 pcs)	204478

D-Sub Connectors

Right Angle Male 25 Pin

Ordering Information

Pressfit Versions

No. of Pins	Termination	Assembly Height	Termination Length	Accessory Mating Side	Accessory Terminal Side	Packaging	Part Number
25	Pressfit	3.6 mm	3.0 mm	None	Clip	Tray (20 pcs)	174414
25	Pressfit	3.6 mm	3.0 mm	Thread M3	Clip	Tray (20 pcs)	154131
25	Pressfit	3.6 mm	3.0 mm	Thread 4-40 UNC	Clip	Tray (20 pcs)	154132
25	Pressfit	3.6 mm	3.0 mm	Threaded bolt M3	Clip	Tray (20 pcs)	154133
25	Pressfit	3.6 mm	3.0 mm	Threaded bolt 4-40 UNC	Clip	Tray (20 pcs)	154134
25	Pressfit	7.3 mm	3.0 mm	None	Clip	Tray (20 pcs)	174426
25	Pressfit	7.3 mm	3.0 mm	Thread M3	Clip	Tray (20 pcs)	154227
25	Pressfit	7.3 mm	3.0 mm	Thread 4-40 UNC	Clip	Tray (20 pcs)	154228
25	Pressfit	7.3 mm	3.0 mm	Threaded bolt M3	Clip	Tray (20 pcs)	154229
25	Pressfit	7.3 mm	3.0 mm	Threaded bolt 4-40 UNC	Clip	Tray (20 pcs)	154230
25	Pressfit	3.6 mm	3.0 mm	Thread M3	Screw M3	Tray (20 pcs)	284494
25	Pressfit	3.6 mm	3.0 mm	Thread 4-40 UNC	Screw 4-40 UNC	Tray (20 pcs)	284495
25	Pressfit	3.6 mm	3.0 mm	Threaded bolt 4-40 UNC	Screw 4-40 UNC	Tray (20 pcs)	284496
25	Pressfit	7.3 mm	3.0 mm	Thread 4-40 UNC	Screw 4-40 UNC	Tray (20 pcs)	284506
25	Pressfit	7.3 mm	3.0 mm	Threaded bolt 4-40 UNC	Screw 4-40 UNC	Tray (20 pcs)	284507
25	Pressfit	7.3 mm	3.0 mm	Threaded bolt 4-40 UNC	Screw M3	Tray (20 pcs)	284508

D-Sub Connectors

Right Angel Male 37 Pin

Ordering Information

SMT Versions

No. of Pins	Termination	Assembly Height	Termination Length	Accessory Mating Side	Accessory Terminal Side	Packaging	Part Number
37	SMT	3.6 mm	–	None	–	Tray (16 pcs)	174407
37	SMT	3.6 mm	–	Thread M3	–	Tray (16 pcs)	214642
37	SMT	3.6 mm	–	Thread 4-40 UNC	–	Tray (16 pcs)	204772
37	SMT	3.6 mm	–	Threaded bolt M3	–	Tray (16 pcs)	154105
37	SMT	3.6 mm	–	Threaded bolt 4-40 UNC	–	Tray (16 pcs)	154106
37	SMT	7.3 mm	–	None	–	Tray (16 pcs)	174419
37	SMT	7.3 mm	–	Thread M3	–	Tray (16 pcs)	154199
37	SMT	7.3 mm	–	Thread 4-40 UNC	–	Tray (16 pcs)	154200
37	SMT	7.3 mm	–	Threaded bolt M3	–	Tray (16 pcs)	154201
37	SMT	7.3 mm	–	Threaded bolt 4-40 UNC	–	Tray (16 pcs)	154202

Ordering Information

THR Versions

No. of Pins	Termination	Assembly Height	Termination Length	Accessory Mating Side	Accessory Terminal Side	Packaging	Part Number
37	THR	3.6 mm	3.0 mm	None	Clip with assembly force	Tray (16 pcs)	174411
37	THR	3.6 mm	3.0 mm	None	Clip without assembly force	Tray (16 pcs)	204461
37	THR	3.6 mm	3.0 mm	Thread M3	Clip with assembly force	Tray (16 pcs)	154119
37	THR	3.6 mm	3.0 mm	Thread M3	Clip without assembly force	Tray (16 pcs)	204457
37	THR	3.6 mm	3.0 mm	Thread 4-40 UNC	Clip with assembly force	Tray (16 pcs)	154120
37	THR	3.6 mm	3.0 mm	Thread 4-40 UNC	Clip without assembly force	Tray (16 pcs)	204458
37	THR	3.6 mm	3.0 mm	Threaded bolt M3	Clip with assembly force	Tray (16 pcs)	154121
37	THR	3.6 mm	3.0 mm	Threaded bolt M3	Clip without assembly force	Tray (16 pcs)	204459
37	THR	3.6 mm	3.0 mm	Threaded bolt 4-40 UNC	Clip with assembly force	Tray (16 pcs)	154122
37	THR	3.6 mm	3.0 mm	Threaded bolt 4-40 UNC	Clip without assembly force	Tray (16 pcs)	204460

D-Sub Connectors

Right Angel Male 37 Pin

Ordering Information

THR Versions

No. of Pins	Termination	Assembly Height	Termination Length	Accessory Mating Side	Accessory Terminal Side	Packaging	Part Number
37	THR	7.3 mm	3.0 mm	None	Clip with assembly force	Tray (16 pcs)	174423
37	THR	7.3 mm	3.0 mm	None	Clip without assembly force	Tray (16 pcs)	204485
37	THR	7.3 mm	3.0 mm	Thread M3	Clip with assembly force	Tray (16 pcs)	154215
37	THR	7.3 mm	3.0 mm	Thread M3	Clip without assembly force	Tray (16 pcs)	204481
37	THR	7.3 mm	3.0 mm	Thread 4-40 UNC	Clip with assembly force	Tray (16 pcs)	154216
37	THR	7.3 mm	3.0 mm	Thread 4-40 UNC	Clip without assembly force	Tray (16 pcs)	204482
37	THR	7.3 mm	3.0 mm	Threaded bolt M3	Clip with assembly force	Tray (16 pcs)	154217
37	THR	7.3 mm	3.0 mm	Threaded bolt M3	Clip without assembly force	Tray (16 pcs)	204483
37	THR	7.3 mm	3.0 mm	Threaded bolt 4-40 UNC	Clip with assembly force	Tray (16 pcs)	154218
37	THR	7.3 mm	3.0 mm	Threaded bolt 4-40 UNC	Clip without assembly force	Tray (16 pcs)	204484

Ordering Information

Pressfit Versions

No. of Pins	Termination	Assembly Height	Termination Length	Accessory Mating Side	Accessory Terminal Side	Packaging	Part Number
37	Pressfit	3.6 mm	3.0 mm	None	Clip	Tray (16 pcs)	174415
37	Pressfit	3.6 mm	3.0 mm	Thread M3	Clip	Tray (16 pcs)	154135
37	Pressfit	3.6 mm	3.0 mm	Thread 4-40 UNC	Clip	Tray (16 pcs)	154136
37	Pressfit	3.6 mm	3.0 mm	Threaded bolt M3	Clip	Tray (16 pcs)	154137
37	Pressfit	3.6 mm	3.0 mm	Threaded bolt 4-40 UNC	Clip	Tray (16 pcs)	154138
37	Pressfit	7.3 mm	3.0 mm	None	Clip	Tray (16 pcs)	174427
37	Pressfit	7.3 mm	3.0 mm	Thread M3	Clip	Tray (16 pcs)	154231
37	Pressfit	7.3 mm	3.0 mm	Thread 4-40 UNC	Clip	Tray (16 pcs)	154232
37	Pressfit	7.3 mm	3.0 mm	Threaded bolt M3	Clip	Tray (16 pcs)	154233
37	Pressfit	7.3 mm	3.0 mm	Threaded bolt 4-40 UNC	Clip	Tray (16 pcs)	154234
37	Pressfit	3.6 mm	3.0 mm	Thread M3	Screw M3	Tray (16 pcs)	284497
37	Pressfit	3.6 mm	3.0 mm	Thread 4-40 UNC	Screw 4-40 UNC	Tray (16 pcs)	284498
37	Pressfit	3.6 mm	3.0 mm	Threaded bolt 4-40 UNC	Screw 4-40 UNC	Tray (16 pcs)	284499
37	Pressfit	7.3 mm	3.0 mm	Thread 4-40 UNC	Screw 4-40 UNC	Tray (16 pcs)	284509
37	Pressfit	7.3 mm	3.0 mm	Threaded bolt 4-40 UNC	Screw M3	Tray (16 pcs)	284511
37	Pressfit	7.3 mm	3.0 mm	Threaded bolt 4-40 UNC	Screw 4-40 UNC	Tray (16 pcs)	284510

X-ON Electronics

Largest Supplier of Electrical and Electronic Components

Click to view similar products for [D-Sub Standard Connectors](#) category:

Click to view products by [ERNI](#) manufacturer:

Other Similar products are found below :

[56F711-015](#) [012-9507-004](#) [LV242999-142T12](#) [015-0341-000](#) [015-0349-000](#) [015-0372-005](#) [015-0372-008](#) [015-8755-001](#) [020419-0104](#) [012-0467-000](#) [012-0515-000](#) [012-9507-034](#) [012-9507-114](#) [020745-0008](#) [609-25P](#) [M24308/2-23Z](#) [CT2-14S-2PCA34](#) [CT2-18-11PCAU](#) [CT2-36-15SC](#) [CT6-14S-2SC](#) [CT6E14SA7SC](#) [CT6E22-14PC](#) [CT6E22-14PS](#) [CT6E22-22PS](#) [M83513/01-FC](#) [M85049/48-3-2F](#) [6STD09PCM99B70X](#) [6STD09SCM99B30X](#) [6STD09SCT99S40X](#) [6STD15PCT99S40X](#) [6STD15SCM99B30X](#) [6STD15SCT99S40X](#) [6STF09PCM05B70X](#) [7-135760-9](#) [MC11E-10-6SN](#) [747552-3](#) [MD1-21PS](#) [MDM-15SCBRM7-F222](#) [MDM96517-699](#) [MDM96521-744](#) [MDVB1-21SL1](#) [MIK0-1-7SH003](#) [MIKQ6-7SH076](#) [MIKQ7-7PH077](#) [MIKQ7-7PH11](#) [MIKQ7-7PH32](#) [MIKQ9-7PH003](#) [MJSV-28SL61](#) [MKJ4A1F14-55S](#) [8-135760-3](#)