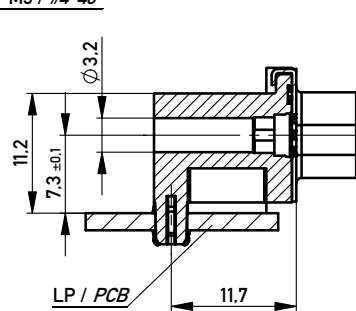
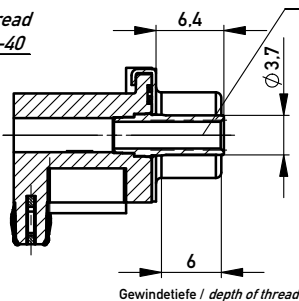
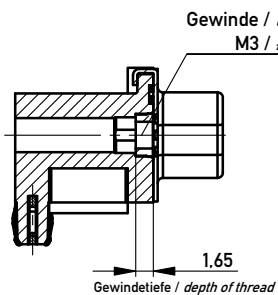


Mutter / nut

Bolzen / bolt

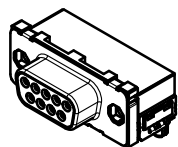
Gewinde / thread
M3 / #4-40

ohne / without

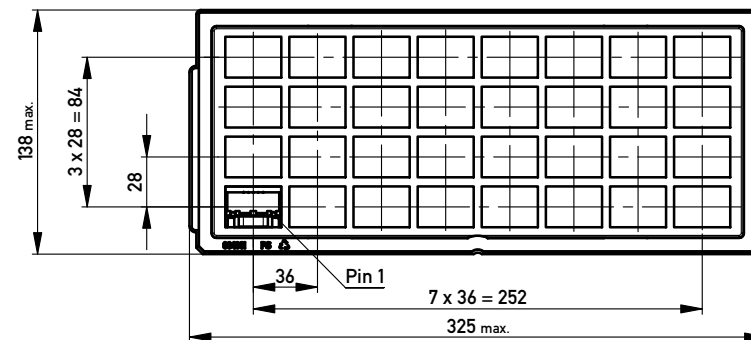


Anschlussbereich verzinkt
terminal area tin plating

Anforderungsstufe: 2
class: 2



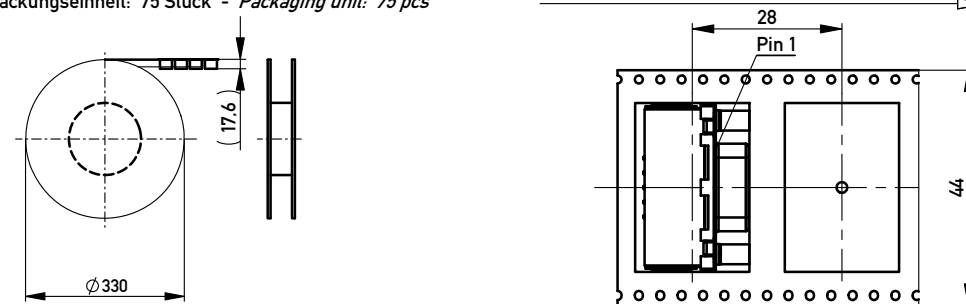
Verpackt in Tray
Verpackungseinheit 32 Stück
tray packaging
packaging unit 32 pcs



Sonstige Angaben siehe Zeichnung 204629 / additional indications according to drawing 204629

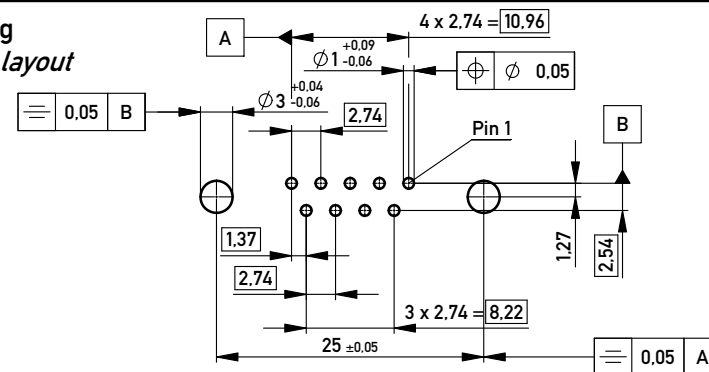
Verpackt in Gurtverpackung - Tape on Reel Packaging
Verpackungseinheit: 75 Stück - Packaging unit: 75 pcs

Abspulrichtung - Reel off Direction



Sonstige Angaben siehe Zeichnung 204655 / additional indications according to drawing 204655

Layoutvorschlag
recommended layout



Sonstige Angaben siehe Zeichnung 164062 / additional indications according to drawing 164062

Fehlende Masse und Angaben siehe DIN 41652 / Missing information and dimensions according to DIN 41652
Sonstige Angaben siehe Fertigungsunterlagen / Additional indications according to production documentation

	174448	Ø3.2			
	154270			#4-40	
	154269			M3	
	154268		#4-40		
	154267		M3		
Ident-Nr. part-no. Gurt tape on reel	Ident-Nr. part-no. Tray tray	ohne without	Mutter nut	Bolzen bolt	Bemerkung remark

Information: All rights reserved. Only for Information. To ensure that this is the latest version of this drawing, please contact one of the ERNI companies before using.	Tolerances	Scale 2:1 All Dimensions in mm	Designation TMC-S-09-EE-Standard-BA8 TMC-S-09-EE-Standard-BA8
	Subject to modification without prior notice. Drawing will not be updated.		
Copyright by ERNI GmbH Proprietary notice pursuant to ISO 9006 to be observed.	17.11.2011		144871
e	Date	Class	TMCS
Index			A3

X-ON Electronics

Largest Supplier of Electrical and Electronic Components

Click to view similar products for [D-Sub Standard Connectors](#) category:

Click to view products by [ERNI](#) manufacturer:

Other Similar products are found below :

[56F711-015](#) [012-9507-004](#) [LV242999-142T12](#) [015-0341-000](#) [015-0349-000](#) [015-0372-005](#) [015-0372-008](#) [015-8755-001](#) [020419-0104](#) [012-0467-000](#) [012-0515-000](#) [012-9507-034](#) [012-9507-114](#) [020745-0008](#) [609-25P](#) [M24308/2-23Z](#) [M24308315F](#) [CT2-14S-2PCA34](#) [CT2-18-11PCAU](#) [CT2-36-15SC](#) [CT6-14S-2SC](#) [CT6E14SA7SC](#) [CT6E22-14PC](#) [CT6E22-14PS](#) [CT6E22-22PS](#) [M83513/01-FC](#) [M85049/48-3-2F](#) [6STD09PCM99B70X](#) [6STD09SCM99B30X](#) [6STD09SCT99S40X](#) [6STD15PCT99S40X](#) [6STD15SCM99B30X](#) [6STD15SCT99S40X](#) [6STF09PCM05B70X](#) [7-135760-9](#) [MC11E-10-6SN](#) [747552-3](#) [MD1-21PS](#) [MDM-15SCBRM7-F222](#) [MDM96517-699](#) [MDM96521-744](#) [MDVB1-21SL1](#) [MIK0-1-7SH003](#) [MIKQ6-7SH076](#) [MIKQ7-7PH077](#) [MIKQ7-7PH11](#) [MIKQ7-7PH32](#) [MIKQ9-7PH003](#) [MJSV-28SL61](#) [MKJ4A1F14-55S](#)