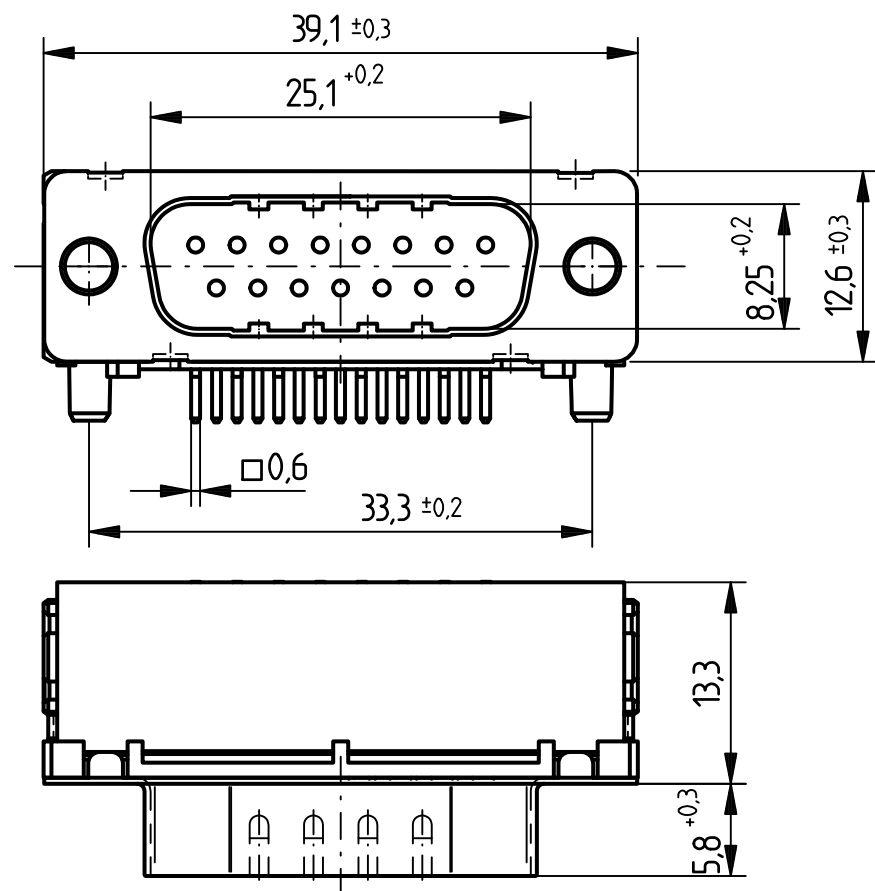
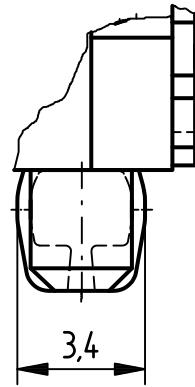
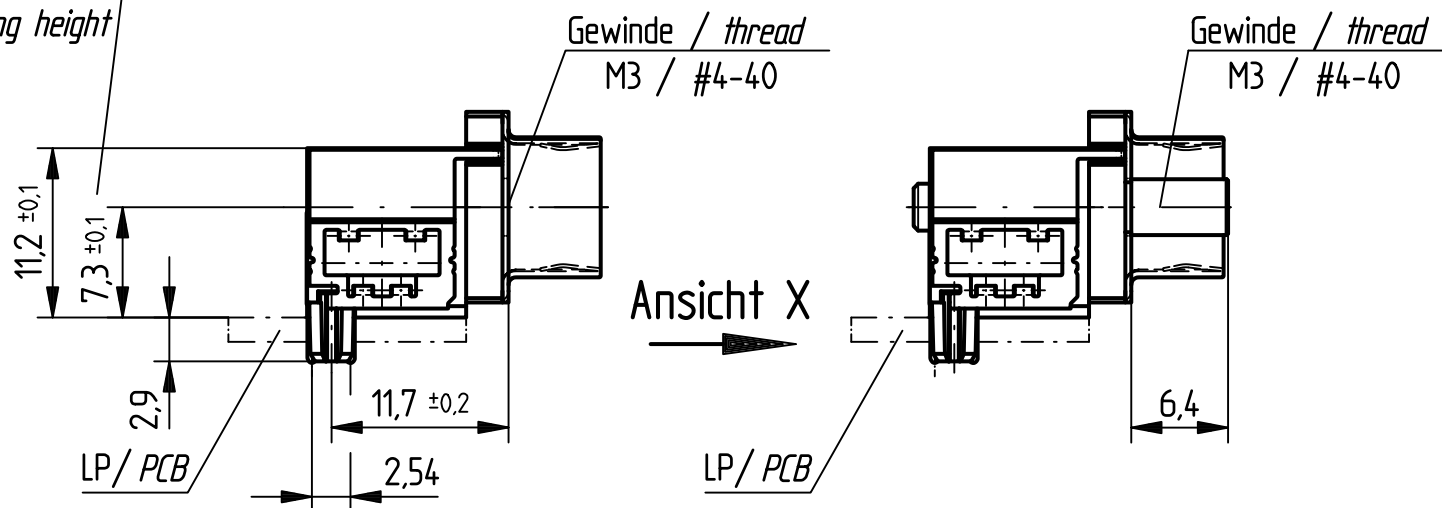


Ansicht X
M 5:1



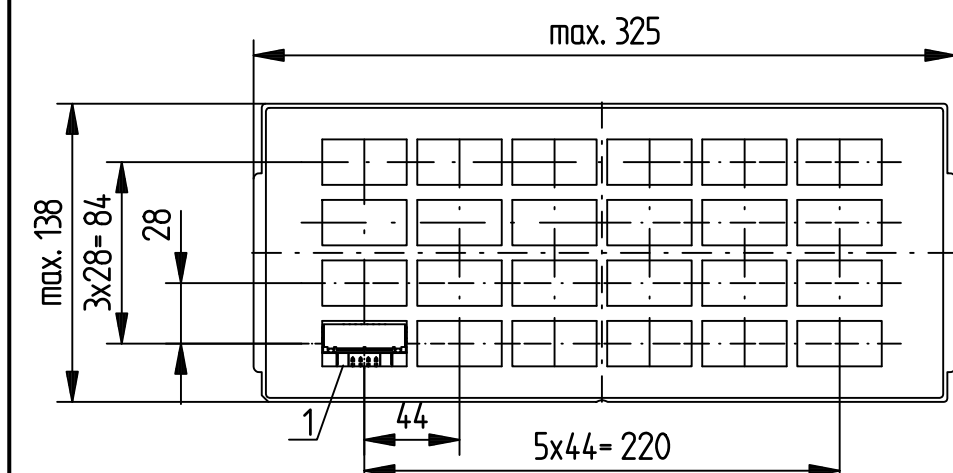
Einbauhöhe
mounting height



Anschlussbereich verzinkt
terminal area tin plating

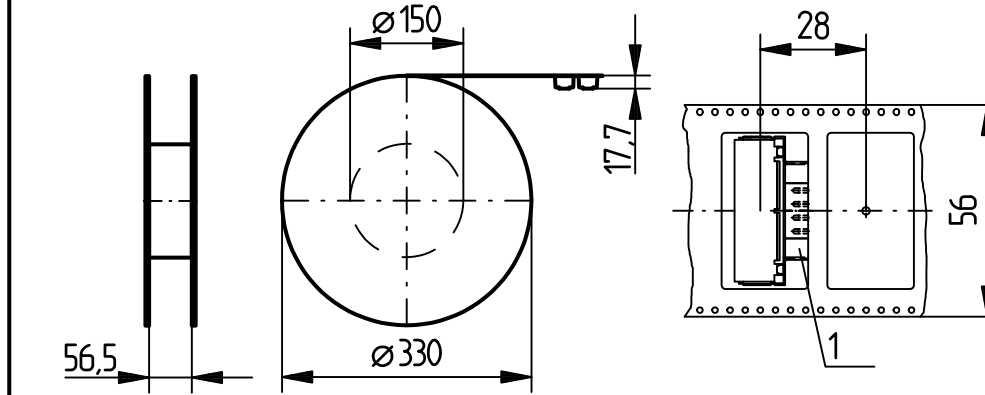
Anforderungsstufe: 2
class: 2

	174421	Ø3,2			
	154210			#4-40	
	154209			M 3	
	154208		#4-40		
	* 154207		M 3		* Tray versiegelt tray sealed
Ident-Nr part-no. tape & reel	Ident-Nr part-no. tray	ohne without	Mutter thread	Bolzen bolt	Bemerkung remark



Verpackt in Tray
Verpackungseinheit 24 St.
tray packaging
packaging unit 24 pcs

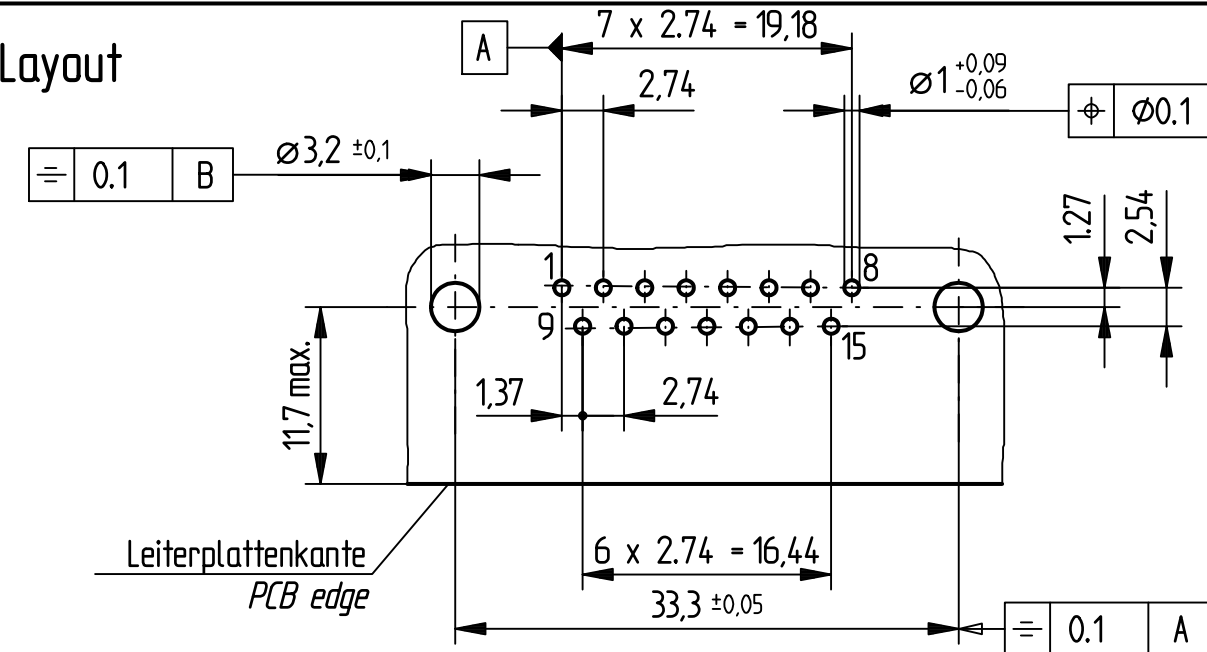
sonstige Angaben siehe 204629 / additional indications please see 204629



Verpackt in Gurt
Verpackungseinheit 75 St.
tape & reel packaging
packaging unit 75 pcs
Abspulrichtung
reel off direction

Sonstige Angaben siehe 204655 / Additional indications please see 204655

Layout



sonstige Angaben siehe 204626 / additional indications please see 204626

Fehlende Masse und Angaben siehe DIN 41652 / Missing information and dimensions according to DIN 41652
Sonstige Angaben siehe Fertigungsunterlagen / Additional indications please see the production documentation

Information:	Tolerances ISO 2768-m		Scale 2:1
All rights reserved. Only for information. To insure that this is the latest version of this drawing, please contact one of the ERNI companies before using.	Subject to modification without prior notice. Drawing will not be updated.	Designation TMC-P 15-THR-Standard TMC-P 15-THR-Standard	
	www.ERNI.com	144860	1
b Index	0054-11 Date	03.02.2011 Date	Wick V:00070485.SZA TMCP

Consider protection memo from DIN 34

X-ON Electronics

Largest Supplier of Electrical and Electronic Components

Click to view similar products for [D-Sub Standard Connectors](#) category:

Click to view products by [ERNI](#) manufacturer:

Other Similar products are found below :

[56F711-015](#) [012-9507-004](#) [LV242999-142T12](#) [015-0341-000](#) [015-0349-000](#) [015-0372-005](#) [015-0372-008](#) [015-8755-001](#) [020419-0104](#) [012-0467-000](#) [012-0515-000](#) [012-9507-034](#) [012-9507-114](#) [020745-0008](#) [609-25P](#) [M24308315F](#) [CT2-14S-2PCA34](#) [CT2-18-11PCAU](#) [CT2-36-15SC](#) [CT6-14S-2SC](#) [CT6E14SA7SC](#) [CT6E22-14PC](#) [CT6E22-14PS](#) [CT6E22-22PS](#) [M83513/01-FC](#) [M85049/48-3-2F](#) [6STD09PCM99B70X](#) [6STD09SCM99B30X](#) [6STD09SCT99S40X](#) [6STD15PCT99S40X](#) [6STD15SCM99B30X](#) [6STD15SCT99S40X](#) [6STF09PCM05B70X](#) [7-135760-9](#) [MC11E-10-6SN](#) [747552-3](#) [MD1-21PS](#) [MDM-15SCBRM7-F222](#) [MDM96517-699](#) [MDM96521-744](#) [MDVB1-21SL1](#) [MIK0-1-7SH003](#) [MIKQ6-7SH076](#) [MIKQ7-7PH077](#) [MIKQ7-7PH11](#) [MIKQ7-7PH32](#) [MIKQ9-7PH003](#) [MJSV-28SL61](#) [MKJ4A1F14-55S](#) [8-135760-3](#)