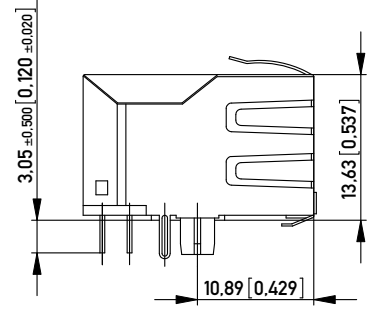
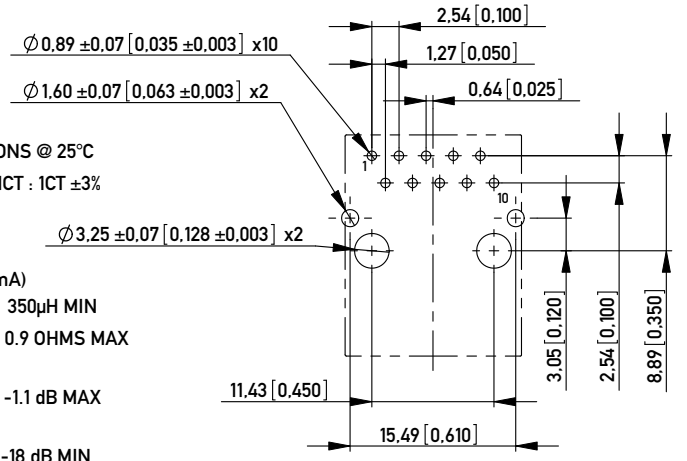


RECOMMENDED PCB LAYOUT (COMPONENT SIDE VIEW)  
 EMPFOHLENES LEITERPLATTEN-LAYOUT (BESTUECKUNGSSEITE)  
 TOL ±0.05 [0.002] UNLESS NOTED



RECOMMENDED PANEL CUTOUT  
 EMPFOHLENER FRONTPLATTEN AUSSCHNITT



MAGNETICS SPECIFICATIONS @ 25°C

TURNS RATIO: 1CT : 1CT ±3%  
 (P1-P2 : J1-J2)  
 (P3-P6 : J3-J6)

OCL(100 KHz, 0.1 Vrms, 8 mA)  
 (P1-P2 : P3-P6) 350µH MIN  
 DCR (P1-P2, P3-P6) 0.9 OHMS MAX

INSERTION LOSS:  
 0.1-100 MHz -1.1 dB MAX

RETURN LOSS:  
 0.5 - 30 MHz -18 dB MIN  
 40 MHz -15.5 dB MIN  
 50 MHz -13.6 dB MIN  
 60 - 80 MHz -12 dB MIN

CROSSTALK:  
 1-100 MHz -38 dB TYP

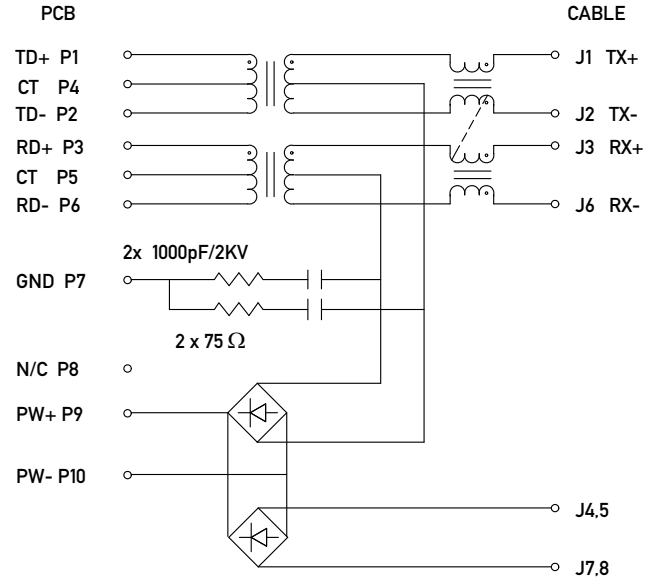
CMR:  
 0.1 - 30 MHz -50 dB TYP  
 30 - 60 MHz -40 dB TYP  
 60 - 100 MHz -30 dB TYP

ISOLATION 1500 Vrms

**MATERIALS AND FINISH**

HOUSING: GLASS FILLED POLYESTER UL 94 V-0 BLACK  
 SHIELDING: Cu ALLOY, PLATED WITH Ni  
 CONTACTS: PHOSPHOR BRONZE  
 CONTACT FINISH: Au. 0.8µm [30µin] OVER Ni (b)  
 TERMINAL FINISH: Sn MATTE (d)  
 OPERATING TEMPERATURE: 0°C TO 55°C (c)

ELECTRICAL SCHEMATIC - M6A01  
 10/100 BASE TX WITH REMOTE POWER  
 ELEKTRISCHER SCHALTPLAN



- NOTE 1: PANEL GROUND FLANGES BOTH SIDES AND TOP (GF5)  
 NOTE 2: SIDE GROUND TABS REAR OF PEG 3.05mm (R)  
 NOTE 3: PIN 7 PAD TO BE UNDERSIZED TO MEET ISOLATION REQUIREMENT  
 NOTE 4: RoHS COMPLIANT

SCHEMATIC	Information: NUMBER: M6A01	Tolerances ISO 2768-m		Scale 2:1
	All rights reserved. Only for Information. To ensure that this is the latest version of this drawing, please contact one of the ERNI companies before using.			
Subject to modification without prior notice. Drawing will not be updated.		Designation <b>MOD JACK - MJIM</b> <b>8C10T, 1x1, INTEGRATED MAGNETICS</b>		
www.ERNI.com		<b>203176</b>		I (1/1) A3
Index	E	Date	15.01.08	Class MJIM

Copyright by ERNI GmbH  
 Proprietary notice pursuant to ISO 16106 to be observed

## X-ON Electronics

Largest Supplier of Electrical and Electronic Components

*Click to view similar products for [Modular Connectors / Ethernet Connectors](#) category:*

*Click to view products by [ERNI](#) manufacturer:*

Other Similar products are found below :

[8949-H88/06BLKA/SN](#) [74441-0010/BKN](#) [MP1010RX-1000](#) [MP44RX-1000](#) [PHJ-4P4C-1-V-4](#) [PHP-6P6C-5](#) [GAX-3-66](#) [GAX-8-62](#) [GDCX-PA-66-50](#) [GDCX-PN-64](#) [GDCX-PN-66](#) [GDCX-PN-66-50](#) [GDLX-A-66](#) [GDLX-N-66](#) [GDLX-S-66](#) [GDLX-S-88K](#) [GDLX-SMT-S-88](#) [GDTX-S-88-50](#) [GDX-PA-1010](#) [GLX-N-1010M-BLK](#) [GLX-S-88M-BLK](#) [GMX-N-1010](#) [GMX-S-1010](#) [GMX-S-66](#) [GMX-SMT4-N-88](#) [GPX-2-64](#) [GSGX-N-2-88](#) [GSGX-N-4-88](#) [GSX-NS2-88-3.05](#) [GSX-NS2-88-3.05-50](#) [GSX-NS-88-3.05-50](#) [PT-108A-8C-UL](#) [PT-J951-8C](#) [PTS-J531-8CS-50UL](#) [1-1775629-2](#) [A-2014-0-4](#) [GWLX-S-88-GR](#) [GWLX-S9-88-YG](#) [DC-1021-8-WH-6](#) [1300530003](#) [1324640-4](#) [RJ11FTVC2G](#) [RJ11FTVC2N](#) [RJFTVX2SA1G](#) [132764-001](#) [1413235](#) [MP88X-1000](#) [MPS88RX-5000](#) [E5288-S000K3-L](#) [E5908-15A242-L](#)