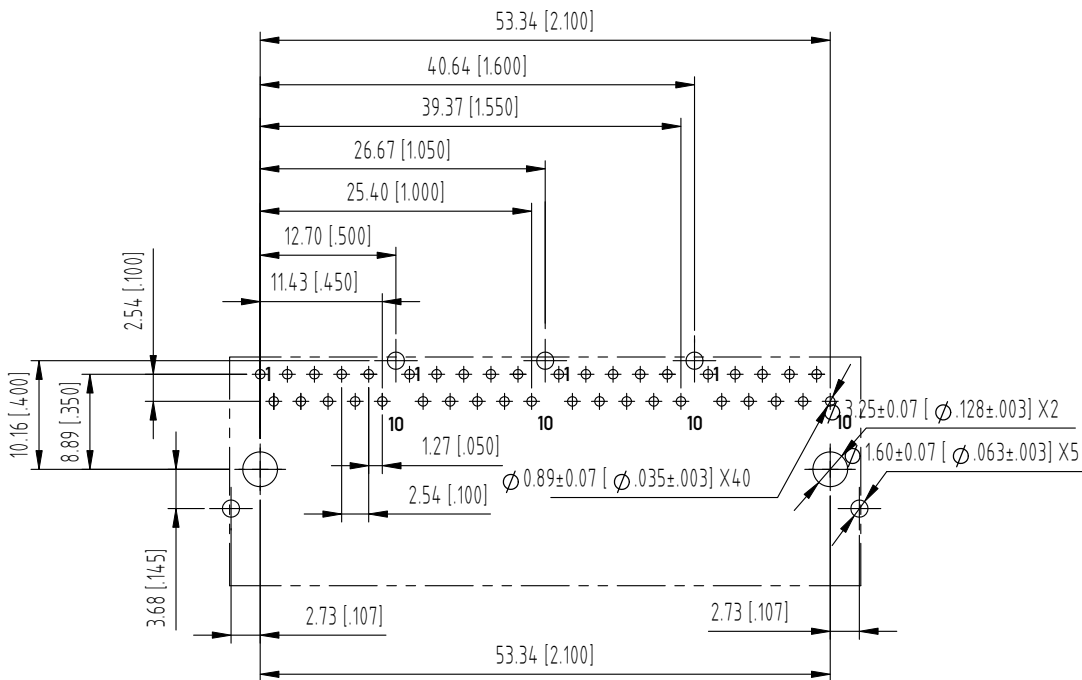


RECOMMENDED PCB LAYOUT - COMPONENT SIDE VIEW  
 EMPFOHLENER FUER LEITERPLATTE - BESTÜCKUNGSSEITE  
 ALL TOLERANCES ±0.05 [.002] UNLESS NOTED



- NOTE 1: SIDE SHIELD TABS IN FRONT 3.68mm (F2)
- NOTE 2: REAR SHIELD TABS BETWEEN EACH PORT (T)
- NOTE 3: PANEL GROUND FLANGES BOTH SIDES AND TOP (GF5)

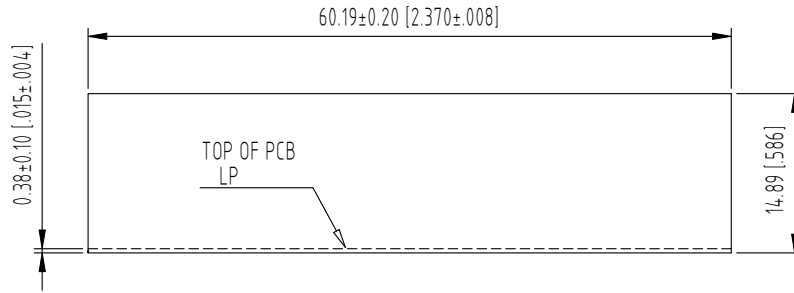
**MATERIALS AND FINISH**

HOUSING: GLASS FILLED POLYESTER UL 94 V-0 BLACK  
 SHIELDING: Cu ALLOY, PLATED WITH Ni  
 CONTACTS: PHOSPHOR BRONZE  
 CONTACT FINISH: Au, 0.8µm [30µin] OVER Ni  
 TERMINAL FINISH: SOLDER  
**MECHANICAL CHARACTERISTICS**  
 DURABILITY: 1000 MATING CYCLES  
 OPERATING TEMPERATURE: 0°C TO 70°C

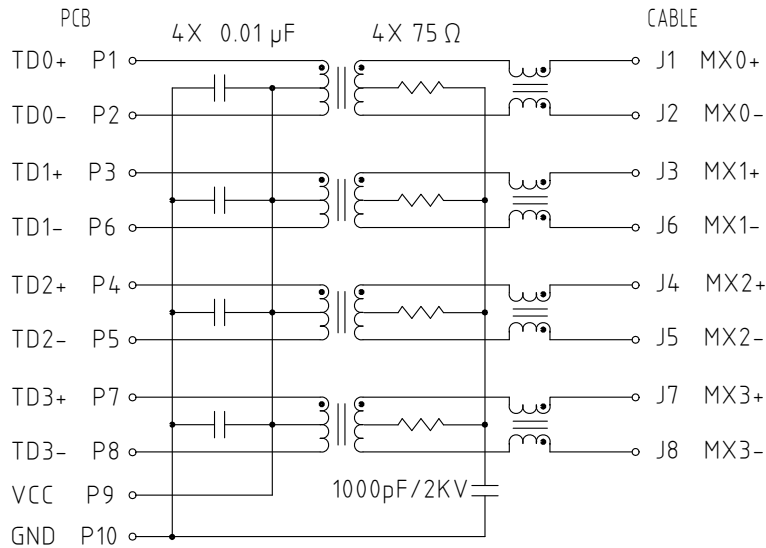
Information:	Tolerances	 All Dimensions in mm	Scale	2:1
	-			
All rights reserved. Only for Information. To ensure that this is the latest version of this drawing, please contact one of the ERNI companies before using.	Subject to modification without prior notice. Drawing will not be updated.	 www.ERNI.com	Designation	
			MOD JACK - MJIM 8C10T, 1X4, INTEGRATED MAGNETICS	
c	23 JUL 04		203185	I (1/2) A3
			Class	MAXMJ

Copyright by ERNI GmbH  
 Proprietary notice pursuant to ISO 16016 to be observed.

RECOMMENDED PANEL CUTOUT  
EMPFOHLENER FRONTPLATTEN AUSSCHNITT



ELECTRICAL SCHEMATICS 1000 BASE T - M5B01  
ELEKTRISCHES DIAGRAMM



MAGNETICS SPECIFICATIONS @ 25°C

URNS RATIO:	1CT:1CT ±3%
OCL(100 KHz, 0.1 V, 8 mA)	350 µH MIN
INSERTION LOSS:	
1-100 MHz	-1.1 dB MAX
RETURN LOSS:	
1-40 MHz	-18 dB MIN
60 MHz	-14 dB MIN
80 MHz	-12 dB MIN
100 MHz	-10 dB MIN
CROSTALK:	
1-100 MHz	-35 dB TYP
CMR:	
0.1 - 30 MHz	-50 dB TYP
30 - 60 MHz	-40 dB TYP
60 - 100 MHz	-35 dB TYP
ISOLATION	1500 Vrms

Information:	Tolerances	 All Dimensions in mm	Scale	2:1
	All rights reserved. Only for Information. To ensure that this is the latest version of this drawing, please contact one of the ERNI companies before using.		Subject to modification without prior notice. Drawing will not be updated.	Designation
Copyright by ERNI GmbH Proprietary notice pursuant to ISO 16016 to be observed.	 www.ERNI.com		203185	1 (2/2) A3
c	23 JUL 04		Class	MAXMJ

## X-ON Electronics

Largest Supplier of Electrical and Electronic Components

*Click to view similar products for [Modular Connectors / Ethernet Connectors](#) category:*

*Click to view products by [ERNI](#) manufacturer:*

Other Similar products are found below :

[8949-H88/06BLKA/SN](#) [74441-0010/BKN](#) [MP1010RX-1000](#) [MP44RX-1000](#) [PHJ-4P4C-1-V-4](#) [PHP-6P6C-5](#) [GAX-3-66](#) [GAX-8-62](#) [GDCX-PA-66-50](#) [GDCX-PN-64](#) [GDCX-PN-66](#) [GDCX-PN-66-50](#) [GDLX-A-66](#) [GDLX-N-66](#) [GDLX-S-66](#) [GDLX-S-88K](#) [GDTX-S-88-50](#) [GDX-PA-1010](#) [GLX-N-1010M-BLK](#) [GLX-S-88M-BLK](#) [GMX-N-1010](#) [GMX-S-1010](#) [GMX-S-66](#) [GMX-SMT4-N-88](#) [GPX-2-64](#) [GSGX-N-2-88](#) [GSGX-N-4-88](#) [GSX-NS2-88-3.05](#) [GSX-NS2-88-3.05-50](#) [GSX-NS-88-3.05-50](#) [PT-108A-8C-UL](#) [PT-J951-8C](#) [PTS-J531-8CS-50UL](#) [1-1775629-2](#) [A-2014-0-4](#) [GWLX-S-88-GR](#) [GWLX-S9-88-YG](#) [DC-1021-8-WH-6](#) [1300530003](#) [1324640-4](#) [RJ11FTVC2G](#) [RJ11FTVC2N](#) [RJFTVX2SA1G](#) [132764-001](#) [1413235](#) [MP88X-1000](#) [MPS88RX-5000](#) [E5288-S000K3-L](#) [E5908-15A242-L](#) [155302-001](#)