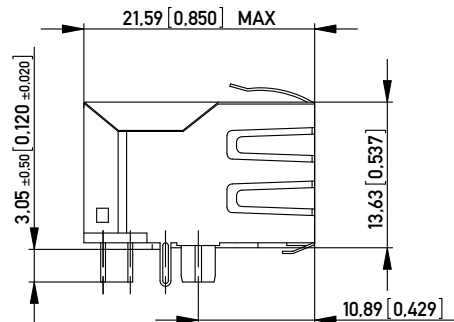
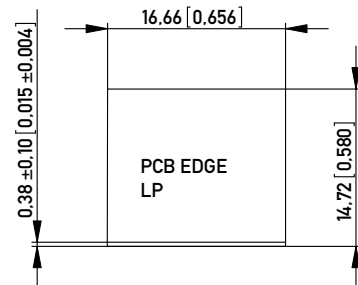
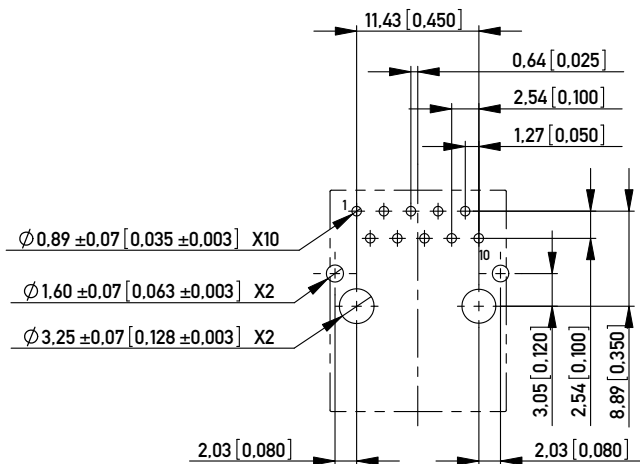


RECOMMENDED PCB LAYOUT (COMPONENT SIDE VIEW)  
 EMPFOHLENES LEITERPLATTEN-LAYOUT (BESTUECKUNGSSEITE)  
 TOL ±0.05 [0.002] UNLESS NOTED



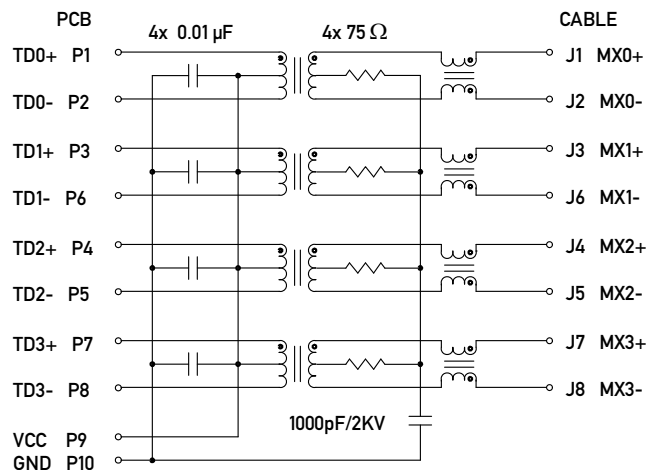
RECOMMENDED PANEL CUTOUT  
 EMPFOHLENER FRONTPLATTEN AUSSCHNITT



ELECTRICAL SCHEMATICS 1000 BASE T - M5B01  
 ELEKTRISCHER SCHALTPLAN

MAGNETICS SPECIFICATIONS @ 25°C

URNS RATIO:	1CT:1CT ±3%
OCL(100 KHz, 0.1 V, 8 mA)	350 µH MIN
INSERTION LOSS:	
1-100 MHz	-1.1 dB MAX
RETURN LOSS:	
1-40 MHz	-18 dB MIN
60 MHz	-14 dB MIN
80 MHz	-12 dB MIN
100 MHz	-10 dB MIN
CROSSTALK:	
1-100 MHz	-35 dB TYP
CMR:	
0.1-30 MHz	-50 dB TYP
30-60 MHz	-40 dB TYP
60-100 MHz	-35 dB TYP
ISOLATION	1500 Vrms



MATERIALS AND FINISH

HOUSING: GLASS FILLED POLYESTER UL 94 V-0 BLACK  
 SHIELDING: Cu ALLOY, PLATED WITH Ni  
 CONTACTS: PHOSPHOR BRONZE  
 CONTACT FINISH: Au, 0.8µm [30µin] OVER Ni  
 TERMINAL FINISH: Sn MATTE  
 MECHANICAL CHARACTERISTICS  
 DURABILITY: 1000 MATING CYCLES  
 ELECTRICAL CHARACTERISTICS  
 CONTACT RESISTANCE: 30 MILLIOHMS MAX  
 OPERATING TEMPERATURE: 0°C TO 70°C

NOTE 1: SIDE SHIELD TABS IN REAR 3.05mm (R)  
 NOTE 2: PANEL GROUND FLANGES BOTH SIDES, TOP AND BOTTOM (GF5)  
 NOTE 3: RoHS COMPLIANT

Information: SCHEMATIC NUMBER: M5B01	Tolerances	Scale 2:1	Designation <b>MOD JACK - MJIM</b> <b>8C10T, 1x1, INTEGRATED MAGNETICS</b>
	All rights reserved. Only for Information. To ensure that this is the latest version of this drawing, please contact one of the ERNI companies before using.		
Copyright by ERNI GmbH Proprietary notice pursuant to ISO 16016 to be observed.	ERNI	www.ERNI.com	203189
	E	07.03.2008	1 (1/1)
Index	Date	Class	MJ

## X-ON Electronics

Largest Supplier of Electrical and Electronic Components

*Click to view similar products for [Modular Connectors / Ethernet Connectors](#) category:*

*Click to view products by [ERNI](#) manufacturer:*

Other Similar products are found below :

[8949-H88/06BLKA/SN](#) [74441-0010/BKN](#) [MP1010RX-1000](#) [MP44RX-1000](#) [PHJ-4P4C-1-V-4](#) [PHP-6P6C-5](#) [GAX-3-66](#) [GAX-8-62](#) [GDCX-PA-66-50](#) [GDCX-PN-64](#) [GDCX-PN-66](#) [GDCX-PN-66-50](#) [GDLX-A-66](#) [GDLX-N-66](#) [GDLX-S-66](#) [GDLX-S-88K](#) [GDLX-SMT-S-88](#) [GDTX-S-88-50](#) [GDX-PA-1010](#) [GLX-N-1010M-BLK](#) [GLX-S-88M-BLK](#) [GMX-N-1010](#) [GMX-S-1010](#) [GMX-S-66](#) [GMX-SMT4-N-88](#) [GPX-2-64](#) [GSGX-N-2-88](#) [GSGX-N-4-88](#) [GSX-NS2-88-3.05](#) [GSX-NS2-88-3.05-50](#) [GSX-NS-88-3.05-50](#) [PT-108A-8C-UL](#) [PT-J951-8C](#) [PTS-J531-8CS-50UL](#) [1-1775629-2](#) [A-2014-0-4](#) [GWLX-S-88-GR](#) [GWLX-S9-88-YG](#) [DC-1021-8-WH-6](#) [1300530003](#) [1324640-4](#) [RJ11FTVC2G](#) [RJ11FTVC2N](#) [RJFTVX2SA1G](#) [132764-001](#) [1413235](#) [MP88X-1000](#) [MPS88RX-5000](#) [E5288-S000K3-L](#) [E5908-15A242-L](#)