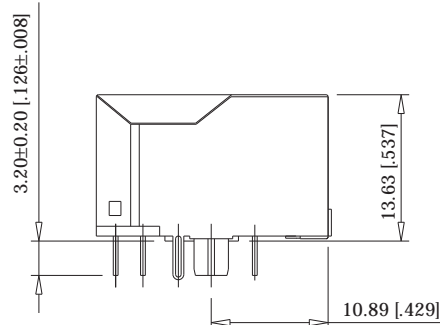
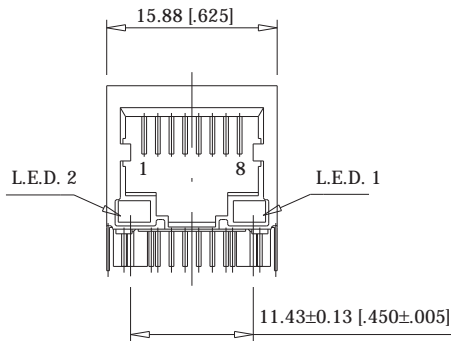
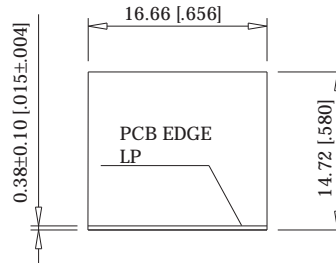
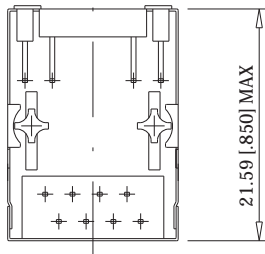


RECOMMENDED PANEL CUTOUT  
EMPFOHLENER FRONTPLATTEN AUSSCHNITT



NOTE 1: SIDE SHIELD TABS IN REAR 3.05mm (R)

LED 2 LEFT LED 2 LINK	LED 1 RIGHT LED 1 RECHTE	LED CODE
YELLOW	GREEN	L1

MATERIALS AND FINISH

HOUSING: GLASS FILLED POLYESTER UL 94 V-0 BLACK

SHIELDING: Cu ALLOY, PLATED WITH Ni

CONTACTS: PHOSPHOR BRONZE

CONTACT FINISH: Au, 0.8 μm (30 μin) OVER Ni

TERMINAL FINISH: SnPb

LED LENS: EPOXY

MECHANICAL CHARACTERISTICS

DURABILITY: 1000 MATING CYCLES

ELECTRICAL CHARACTERISTICS

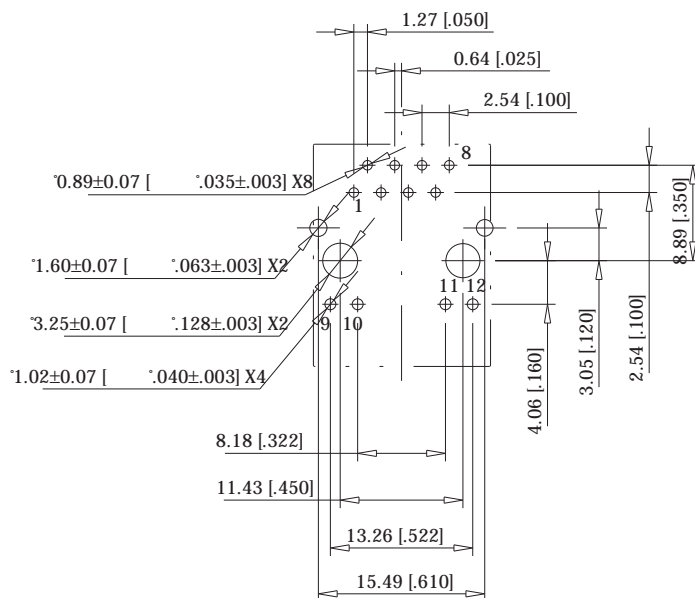
CONTACT RESISTANCE: 30 MILLIOHMS MAX

OPERATING TEMPERATURE: 0°C TO 70°C

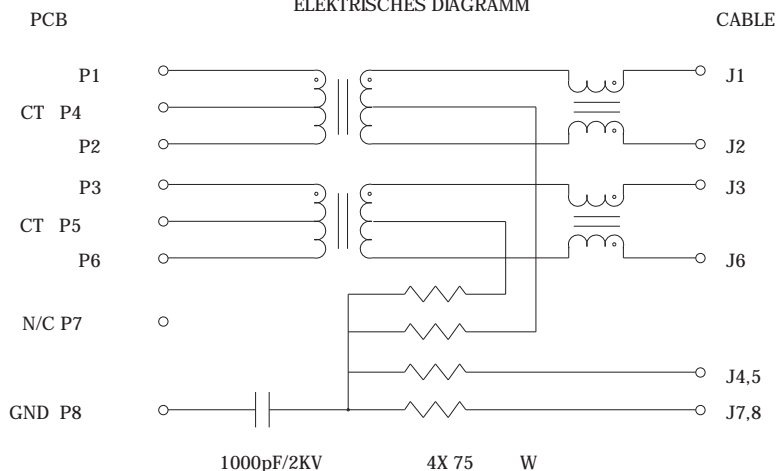
DRAWING NO. 203191		Tolerances All Dimensions in mm	Scale 2:1	-	
All rights reserved. Only for information. To insure that this is the latest version of this drawing, please contact one of the ERNI companies before using.		Subject to modification without prior notice. Drawing will not be updated.	Designation <b>MOD JACK - MJIM</b> 8C8T, 1X1, INT. MAG., LED ALIGNED		
ERNI www.ERNI.com		<b>203191</b>			
a	19FEB04	Name	Plot At	Group/Type	
Index	Modification Nr.	Date	Name	MAXMJ	

Consider protection memo from DIN 24

RECOMMENDED PCB LAYOUT (COMPONENT SIDE VIEW)  
 EMPFOHLENER FUER LETTERPLATTE (BESTUECKUNGSSEITE)  
 TOL ±0.05 [.002] UNLESS NOTED



ELECTRICAL SCHEMATIC M3D01  
 ELEKTRISCHES DIAGRAMM



MAGNETICS SPECIFICATIONS @ 25°C

AUTO MDIX COMPATIBLE

URNS RATIO:

- (P1-P2 : J1-J2) 1CT : 1 ±3%
- (P3-P6 : J3-J6) 1CT : 1 ±3%

OCL(100 KHz, 0.1 Vrms, 8 mA)

- (P1-P2 : P3-P6) 350µH MIN

DCR (P1-P2, P3-P6) 0.9 OHMS MAX

INSERTION LOSS:

- 0.1-100 MHz -1.1 dB MAX

RETURN LOSS:

- 0.5 - 30 MHz: -18 dB MIN
- 40 MHz: -15.5 dB MIN
- 50 MHz: -13.6 dB MIN
- 60 - 80 MHz: -12 dB MIN

CROSSTALK:

- 1-100 MHz -40 dB TYP

CMR:

- 0.1 - 30 MHz -50 dB TYP
- 30 - 60 MHz -40 dB TYP
- 60 - 100 MHz -35 dB TYP

ISOLATION

1500 Vrms

LED SPECIFICATIONS

LED ANWEISUNG

COLOR FARBE	V <sub>f</sub> TYP	V <sub>f</sub> MAX	I <sub>f</sub> mA	CIRCUIT DIAGRAM SCHALTSKIZZE
YELLOW	2.1	2.5	20	
GREEN	2.2	2.5	20	

INFORMATION:	Tolerances		Scale 2:1	MAT'L
All rights reserved. Only for information. To insure that this is the latest version of this drawing, please contact one of the ERNI companies before using.	Subject to modification without prior notice. Drawing will not be updated.	www.ERNI.com	Designation	MOD JACK - MJIM
203191	19FEB04	Date	Group/Type	MAXMJ

Consider protection memos from DFN 34

## X-ON Electronics

Largest Supplier of Electrical and Electronic Components

*Click to view similar products for [Modular Connectors](#) / [Ethernet Connectors](#) category:*

*Click to view products by [ERNI](#) manufacturer:*

Other Similar products are found below :

[8949-H88/06BLKA/SN](#) [74441-0010/BKN](#) [MP1010RX-1000](#) [MP44RX-1000](#) [PHJ-4P4C-1-V-4](#) [PHP-6P6C-5](#) [GAX-3-66](#) [GAX-8-62](#) [GDCX-PA-66-50](#) [GDCX-PN-64](#) [GDCX-PN-66](#) [GDCX-PN-66-50](#) [GDLX-A-66](#) [GDLX-N-66](#) [GDLX-S-66](#) [GDLX-S-88K](#) [GDLX-SMT-S-88](#) [GDTX-S-88-50](#) [GDX-PA-1010](#) [GLX-N-1010M-BLK](#) [GLX-S-88M-BLK](#) [GMX-N-1010](#) [GMX-S-1010](#) [GMX-S-66](#) [GMX-SMT4-N-88](#) [GPX-2-64](#) [GSGX-N-2-88](#) [GSGX-N-4-88](#) [GSX-NS2-88-3.05](#) [GSX-NS2-88-3.05-50](#) [GSX-NS-88-3.05-50](#) [PT-108A-8C-UL](#) [PT-J951-8C](#) [PTS-J531-8CS-50UL](#) [1-1775629-2](#) [A-2014-0-4](#) [GWLX-S-88-GR](#) [GWLX-S9-88-YG](#) [DC-1021-8-WH-6](#) [1300530003](#) [1324640-4](#) [RJ11FTVC2G](#) [RJ11FTVC2N](#) [RJFTVX2SA1G](#) [132764-001](#) [1413235](#) [MP88X-1000](#) [MPS88RX-5000](#) [E5288-S000K3-L](#) [E5908-15A242-L](#)