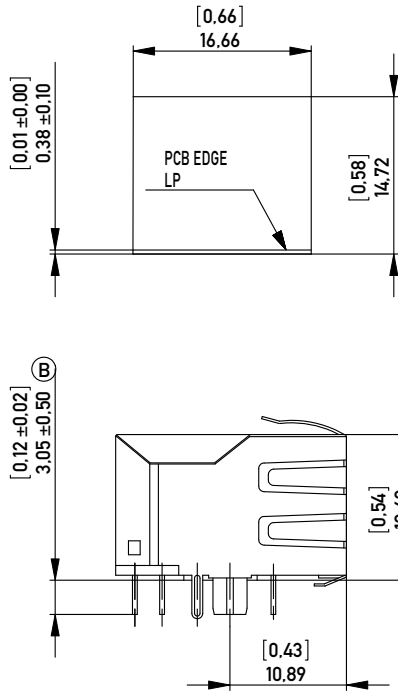
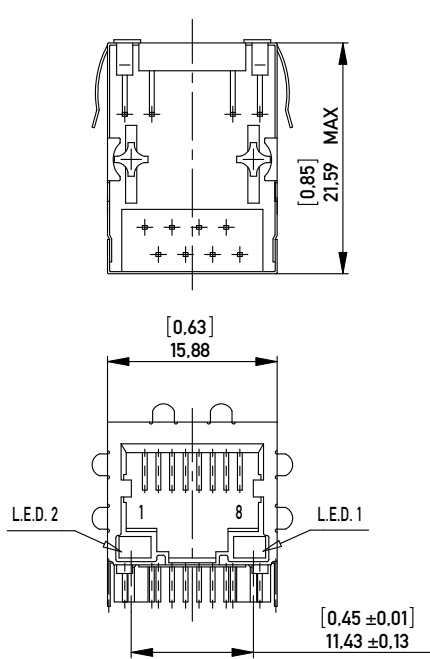


RECOMMENDED PANEL CUTOUT
EMPFÖHLENER FRONTPLATTEN AUSSCHNITT



NOTE 1: SIDE SHIELD TABS IN REAR 3.05mm (R)
NOTE 2: PANEL GROUND FLANGES BOTH SIDES AND TOP (GF5)

MATERIALS AND FINISH

HOUSING: GLASS FILLED POLYESTER UL 94 V-0 BLACK
SHIELDING: Cu ALLOY, PLATED WITH Ni
CONTACTS: PHOSPHOR BRONZE
CONTACT FINISH: Au, 0.8 μm (30 μin) OVER Ni
TERMINAL FINISH: Sn MATTE (B)
LED LENS: EPOXY

MECHANICAL CHARACTERISTICS

DURABILITY: 1000 MATING CYCLES

ELECTRICAL CHARACTERISTICS

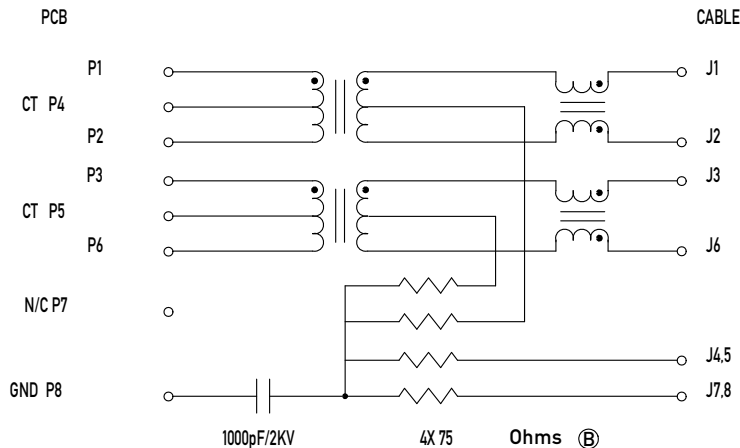
CONTACT RESISTANCE: 30 MILLIOHMS MAX
OPERATING TEMPERATURE: 0°C TO 70°C

NO. IDENT. NR.	LED 2 LEFT LED 2 LINKS	LED 1 RIGHT LED 1 RECHTS	LED CODE
203198	YELLOW	GREEN	L1
203199	GREEN	YELLOW	L2
203200	GREEN	GREEN	L3
203201	RED	GREEN	L5
203202	YELLOW	YELLOW	L8
203203	ORANGE/GREEN	ORANGE/GREEN	L9

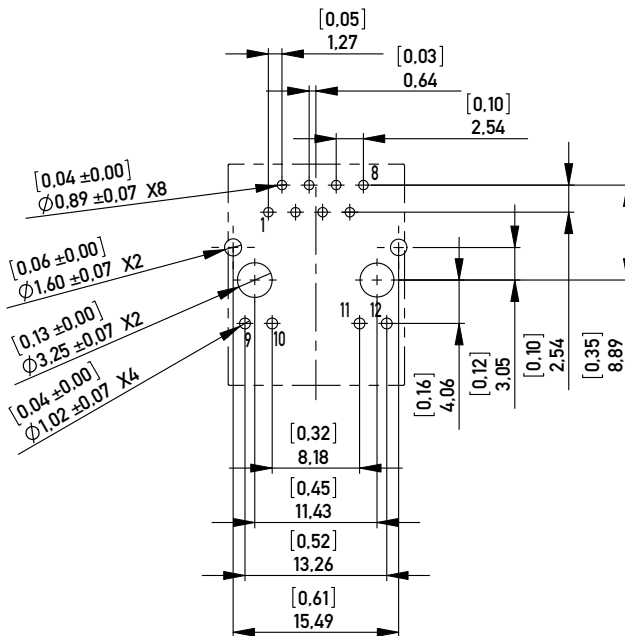
Information: SCHEMATIC NUMBER: M3D01		Tolerances All Dimensions in mm	Scale 2:1
All rights reserved. Only for information. To insure that this is the latest version of this drawing, please contact one of the ERNI companies before using.		Subject to modification without prior notice. Drawing will not be updated.	Designation MOD JACK - MJIM 8C8T, 1x1, INT. MAG., LED ALIGNED
www.ERNI.com		203197	1 (1/2) A3
B	20.05.2008	Class	MJIM
Index	Date		

Consider protection memos from DIN 34

ELECTRICAL SCHEMATIC M3D01
ELEKTRISCHER SCHALTPLAN



RECOMMENDED PCB LAYOUT (COMPONENT SIDE VIEW)
EMPFOLHENES LEITERPLATTEN-LAYOUT (BESTÜCKUNGSSEITE)
TOL ±0.05 [0.002] UNLESS NOTED
SCALE: 2.5 : 1



LED SPECIFICATIONS
LED ANWEISUNG

MAGNETICS SPECIFICATIONS @ 25°C

AUTO MDIX COMPATIBLE

URNS RATIO:

(P1-P2 : J1-J2) 1CT : 1 ±3%

(P3-P6 : J3-J6) 1CT : 1 ±3%

OCL (100 KHz, 0.1 Vrms, 8 mA)

(P1-P2 : P3-P6) 350µH MIN

DCR (P1-P2, P3-P6)

0.9 OHMS MAX

INSERTION LOSS:

0.1-100 MHz -1.1 dB MAX

RETURN LOSS:

0.5 - 30 MHz: -18 dB MIN

40 MHz: -15.5 dB MIN

50 MHz: -13.6 dB MIN

60 - 80 MHz: -12 dB MIN

CROSSTALK:

1-100 MHz -40 dB TYP

CMR:

0.1 - 30 MHz -50 dB TYP

30 - 60 MHz -40 dB TYP

60 - 100 MHz -35 dB TYP

ISOLATION

1500 Vrms

COLOR FARBE	V _f TYP	V _f MAX	I _f mA	CIRCUIT DIAGRAM SCHALTPLAN
YELLOW	2.1	2.5	20	
GREEN	2.2	2.5	20	
RED	2.25	2.5	20	
ORANGE/GREEN	2.05/2.2	2.5	20	

Information:	Tolerances		Scale 2:1
All rights reserved. Only for information. To insure that this is the latest version of this drawing, please contact one of the ERNI companies before using.	Subject to modification without prior notice. Drawing will not be updated.	All Dimensions in mm	Designation MOD JACK - MJIM 8C8T, 1x1, INT. MAG., LED ALIGNED
www.ERNI.com		203197	
Class MJIM		I (2/2) A3	

Consider protection from DIN 34

X-ON Electronics

Largest Supplier of Electrical and Electronic Components

Click to view similar products for [Modular Connectors / Ethernet Connectors](#) category:

Click to view products by [ERNI](#) manufacturer:

Other Similar products are found below :

[8949-H88/06BLKA/SN](#) [74441-0010/BKN](#) [MP1010RX-1000](#) [MP44RX-1000](#) [PHJ-4P4C-1-V-4](#) [PHP-6P6C-5](#) [GAX-3-66](#) [GAX-8-62](#) [GDCX-PA-66-50](#) [GDCX-PN-64](#) [GDCX-PN-66](#) [GDCX-PN-66-50](#) [GDLX-A-66](#) [GDLX-N-66](#) [GDLX-S-66](#) [GDLX-S-88K](#) [GDLX-SMT-S-88](#) [GDTX-S-88-50](#) [GDX-PA-1010](#) [GLX-N-1010M-BLK](#) [GLX-S-88M-BLK](#) [GMX-N-1010](#) [GMX-S-1010](#) [GMX-S-66](#) [GMX-SMT4-N-88](#) [GPX-2-64](#) [GSGX-N-2-88](#) [GSGX-N-4-88](#) [GSX-NS2-88-3.05](#) [GSX-NS2-88-3.05-50](#) [GSX-NS-88-3.05-50](#) [PT-108A-8C-UL](#) [PT-J951-8C](#) [PTS-J531-8CS-50UL](#) [1-1775629-2](#) [A-2014-0-4](#) [GWLX-S-88-GR](#) [GWLX-S9-88-YG](#) [DC-1021-8-WH-6](#) [1300530003](#) [1324640-4](#) [RJ11FTVC2G](#) [RJ11FTVC2N](#) [RJFTVX2SA1G](#) [132764-001](#) [1413235](#) [MP88X-1000](#) [MPS88RX-5000](#) [E5288-S000K3-L](#) [E5908-15A242-L](#)