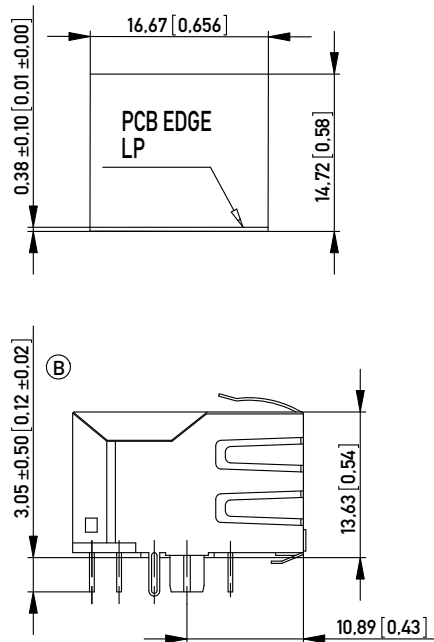
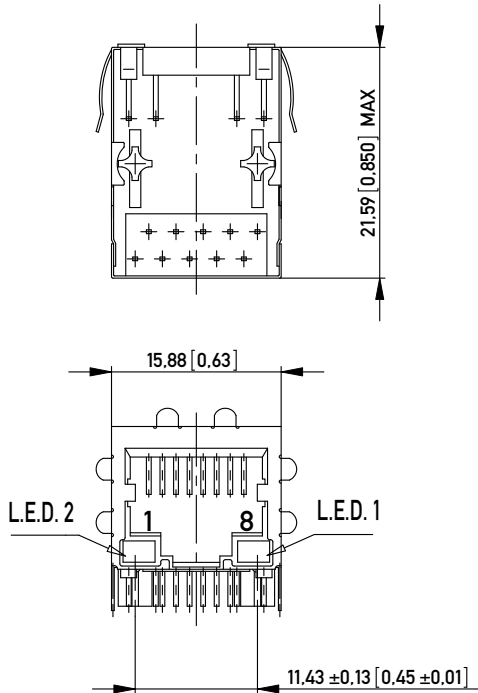


RECOMMENDED PANEL CUTOUT
EMPFOHLENER FRONTPLATTEN AUSSCHNITT



NOTE 1: SIDE SHIELD TABS IN REAR 3.05mm (R)

NOTE 2: PANEL GROUND FLANGES BOTH SIDES AND TOP (GF5)

MATERIALS AND FINISH

HOUSING: GLASS FILLED POLYESTER UL 94 V-0 BLACK

SHIELDING: Cu ALLOY, PLATED WITH Ni

CONTACTS: PHOSPHOR BRONZE

CONTACT FINISH: Au, 0.8 µm (30 µin) OVER Ni

TERMINAL FINISH: Sn MATTE (B)

LED LENS: EPOXY

MECHANICAL CHARACTERISTICS

DURABILITY: 1000 MATING CYCLES

ELECTRICAL CHARACTERISTICS

CONTACT RESISTANCE: 30 MILLIOHMS MAX

OPERATING TEMPERATURE: 0°C TO 70°C

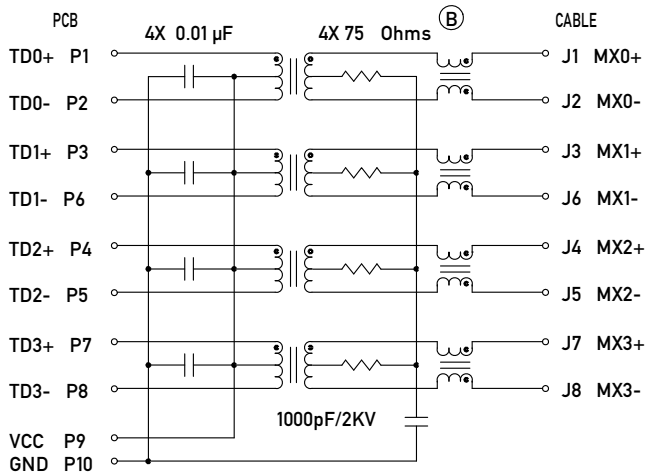
NO. IDENT. NR.	LED 2 LEFT LED 2 LINKS	LED 1 RIGHT LED 1 RECHTS	LED CODE
203211	YELLOW	GREEN	L1
203212	GREEN	YELLOW	L2
203213	GREEN	GREEN	L3
203214	YELLOW	YELLOW	L8
203215	ORANGE/GREEN	ORANGE/GREEN	L9

Information:		Tolerances	Scale 2:1
SCHEMATIC NUMBER: M5B01		All Dimensions in mm	
All rights reserved. Only for information. To insure that this is the latest version of this drawing, please contact one of the ERNI companies before using.		Subject to modification without prior notice. Drawing will not be updated.	Designation
		www.ERNI.com	MOD JACK - MJIM 8C10T, 1x1, INT. MAG., LED ALIGNED
B	09.06.2008	203210	1 (1/2)
Index	Date	Class MJIM	A3

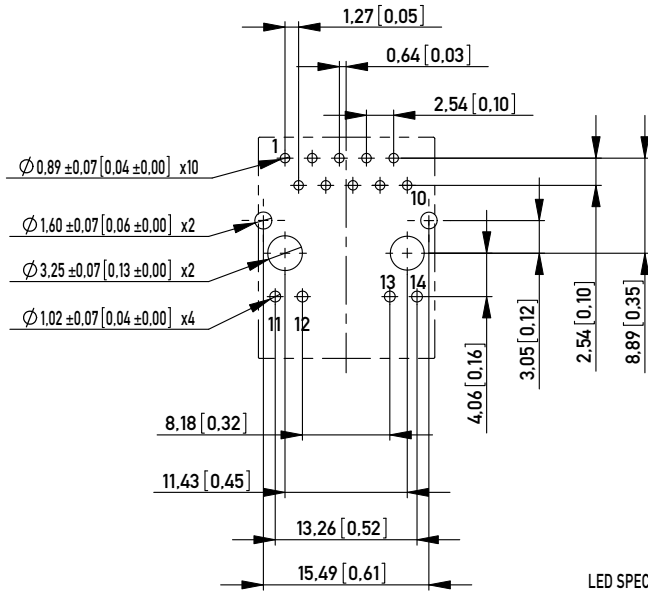
Consider protection mems from DIN 34

ELECTRICAL SCHEMATICS 1000 BASE T - M5B01

ELEKTRISCHER SCHALTPLAN



RECOMMENDED PCB LAYOUT (COMPONENT SIDE VIEW)
 EMPFOHLENES LEITERPLATTEN-LAYOUT (BESTÜCKUNGSSEITE)
 TOL ±0.05 [0.02] UNLESS NOTED



LED SPECIFICATIONS
 LED ANWEISUNG

MAGNETICS SPECIFICATIONS @ 25°C

Turns Ratio: 1CT:1CT ±3%

OCL(100 KHz, 0.1 V, 8 mA) 350 µH MIN

INSERTION LOSS:

1-100 MHz -1.1 dB MAX

RETURN LOSS:

1-40 MHz -18 dB MIN

60 MHz -14 dB MIN

80 MHz -12 dB MIN

100 MHz -10 dB MIN

CROSSTALK:

(1-100 MHz) -35 dB TYP

CMR:

0.1-30 MHz -50 dB TYP

30-60 MHz -40 dB TYP

60-100 MHz -35 dB TYP

ISOLATION

1500 Vrms

COLOR FARBE	V _f TYP	V _f MAX	I _f mA	CIRCUIT DIAGRAM SCHALTPLAN
YELLOW	2.1	2.5	20	
GREEN	2.2	2.5	20	
RED	2.25	2.5	20	
ORANGE/GREEN	2.05/2.2	2.5	20	

Information:	Tolerances		Scale 2:1
All rights reserved. Only for information. To insure that this is the latest version of this drawing, please contact one of the ERNI companies before using.	Subject to modification without prior notice. Drawing will not be updated.	All Dimensions in mm	Designation
			MOD JACK - MJIM 8C10T, 1x1, INT. MAG., LED ALIGNED
	www.ERNI.com	203210	I (2/2) A3
Class		MJIM	

Consider protection mems from DIN 54

X-ON Electronics

Largest Supplier of Electrical and Electronic Components

Click to view similar products for [Modular Connectors / Ethernet Connectors](#) category:

Click to view products by [ERNI](#) manufacturer:

Other Similar products are found below :

[8949-H88/06BLKA/SN](#) [74441-0010/BKN](#) [MP1010RX-1000](#) [MP44RX-1000](#) [PHJ-4P4C-1-V-4](#) [PHP-6P6C-5](#) [GAX-3-66](#) [GAX-8-62](#) [GDCX-PA-66-50](#) [GDCX-PN-64](#) [GDCX-PN-66](#) [GDCX-PN-66-50](#) [GDLX-A-66](#) [GDLX-N-66](#) [GDLX-S-66](#) [GDLX-S-88K](#) [GDLX-SMT-S-88](#) [GDTX-S-88-50](#) [GDX-PA-1010](#) [GLX-N-1010M-BLK](#) [GLX-S-88M-BLK](#) [GMX-N-1010](#) [GMX-S-1010](#) [GMX-S-66](#) [GMX-SMT4-N-88](#) [GPX-2-64](#) [GSGX-N-2-88](#) [GSGX-N-4-88](#) [GSX-NS2-88-3.05](#) [GSX-NS2-88-3.05-50](#) [GSX-NS-88-3.05-50](#) [PT-108A-8C-UL](#) [PT-J951-8C](#) [PTS-J531-8CS-50UL](#) [1-1775629-2](#) [A-2014-0-4](#) [GWLX-S-88-GR](#) [GWLX-S9-88-YG](#) [DC-1021-8-WH-6](#) [1300530003](#) [1324640-4](#) [RJ11FTVC2G](#) [RJ11FTVC2N](#) [RJFTVX2SA1G](#) [132764-001](#) [1413235](#) [MP88X-1000](#) [MPS88RX-5000](#) [E5288-S000K3-L](#) [E5908-15A242-L](#)