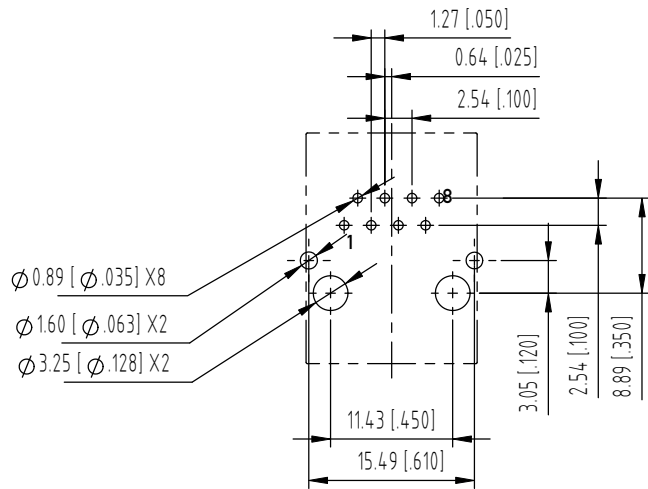
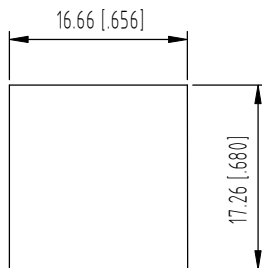


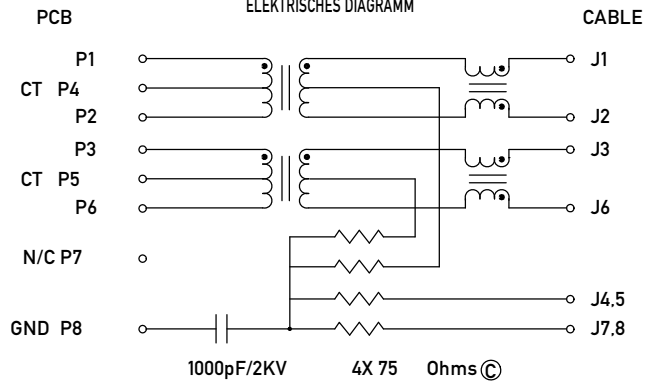
RECOMMENDED PCB LAYOUT (COMPONENT SIDE VIEW)
 EMPFOHLENER FUER LEITERPLATTE (BESTUECKUNGSSEITE)
 TOL ±0.05 [.002] UNLESS NOTED



RECOMMENDED PANEL CUTOUT
 EMPFOHLENER FRONTPLATTEN AUSSCHNITT



ELECTRICAL SCHEMATIC M3D01
 ELEKTRISCHES DIAGRAMM



MAGNETICS SPECIFICATIONS @ 25°C

AUTO MDIX COMPATIBLE

TURNS RATIO:

- (P1-P2 : J1-J2) 1CT : 1 ± 3%
- (P3-P6 : J3-J6) 1CT : 1 ± 3%

OCL (100 KHz, 0.1 Vrms, 8 mA)

- (P1-P2 : P3-P6) 350µH MIN

DCR (P1-P2, P3-P6)

- 0.9 OHMS MAX

INSERTION LOSS:

- 0.1-100 MHz -1.1 dB MAX

RETURN LOSS:

- 0.5 - 30 MHz: -18 dB MIN
- 40 MHz: -15.5 dB MIN
- 50 MHz: -13.6 dB MIN
- 60 - 80 MHz: -12 dB MIN

CROSSTALK:

- 1-100 MHz -40 dB TYP

CMR:

- 0.1 - 30 MHz -50 dB TYP
- 30 - 60 MHz -40 dB TYP
- 60 - 100 MHz -35 dB TYP

ISOLATION

- 1500 Vrms

MATERIALS AND FINISH

- HOUSING: GLASS FILLED POLYESTER UL 94 V-0 BLACK
- SHIELDING: Cu ALLOY, PLATED WITH Ni
- CONTACTS: PHOSPHOR BRONZE
- CONTACT FINISH: Au, 0.8 µm (30 µin) OVER Ni
- TERMINAL FINISH: Sn MATTE

MECHANICAL CHARACTERISTICS

- DURABILITY: 1000 MATING CYCLES

ELECTRICAL CHARACTERISTICS

- CONTACT RESISTANCE: 30 MILLIOHMS MAX
- OPERATING TEMPERATURE: 0°C TO 70°C

Information:	Tolerances	Scale	1:1	2:1	
	All rights reserved. Only for Information. To ensure that this is the latest version of this drawing, please contact one of the ERNI companies before using.		Designation MOD JACK - MJIMV 1X1, 8C8T, VERTICAL, INT. MAG.		
Copyright by ERNI GmbH Proprietary notice pursuant to ISO 16016 to be observed.	Subject to modification without prior notice. Drawing will not be updated.		203283		
	ERNI	www.ERNI.com	Class		MJIM
Rev.	Date	24.06.08		(1/1) A3	

X-ON Electronics

Largest Supplier of Electrical and Electronic Components

Click to view similar products for [Modular Connectors](#) / [Ethernet Connectors](#) category:

Click to view products by [ERNI](#) manufacturer:

Other Similar products are found below :

[8949-H88/06BLKA/SN](#) [74441-0010/BKN](#) [MP1010RX-1000](#) [MP44RX-1000](#) [PHJ-4P4C-1-V-4](#) [PHP-6P6C-5](#) [GAX-3-66](#) [GAX-8-62](#) [GDCX-PA-66-50](#) [GDCX-PN-64](#) [GDCX-PN-66](#) [GDCX-PN-66-50](#) [GDLX-A-66](#) [GDLX-N-66](#) [GDLX-S-66](#) [GDLX-S-88K](#) [GDTX-S-88-50](#) [GDX-PA-1010](#) [GLX-N-1010M-BLK](#) [GLX-S-88M-BLK](#) [GMX-N-1010](#) [GMX-S-1010](#) [GMX-S-66](#) [GMX-SMT4-N-88](#) [GPX-2-64](#) [GSGX-N-2-88](#) [GSGX-N-4-88](#) [GSX-NS2-88-3.05](#) [GSX-NS2-88-3.05-50](#) [GSX-NS-88-3.05-50](#) [PT-108A-8C-UL](#) [PT-J951-8C](#) [PTS-J531-8CS-50UL](#) [1-1775629-2](#) [A-2014-0-4](#) [GWLX-S-88-GR](#) [GWLX-S9-88-YG](#) [DC-1021-8-WH-6](#) [1300530003](#) [1324640-4](#) [RJ11FTVC2G](#) [RJ11FTVC2N](#) [RJFTVX2SA1G](#) [132764-001](#) [1413235](#) [MP88X-1000](#) [MPS88RX-5000](#) [E5288-S000K3-L](#) [E5908-15A242-L](#) [155302-001](#)