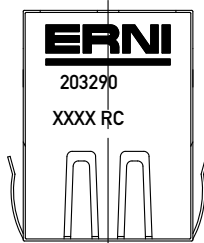
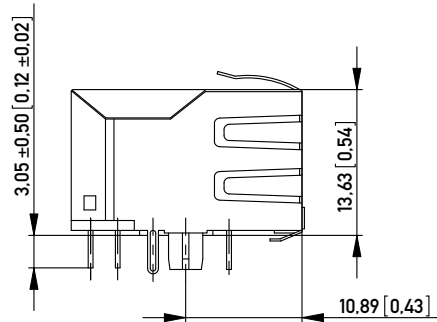
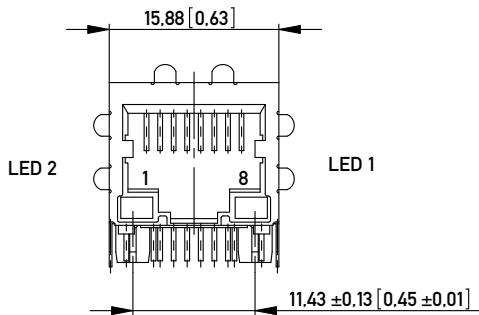
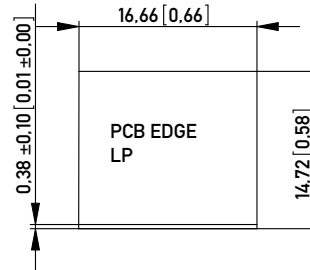
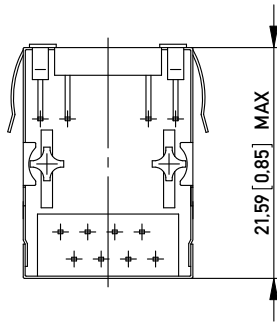


RECOMMENDED PANEL CUTOUT  
EMPFOHLENER FRONTPLATTEN AUSSCHNITT



MATERIALS AND FINISH

HOUSING: GLASS FILLED POLYESTER UL 94 V-0 BLACK

SHIELDING: Cu ALLOY, PLATED WITH Ni

CONTACTS: PHOSPHOR BRONZE

CONTACT FINISH: Au, 0.8 µm (30 µin) OVER Ni

TERMINAL FINISH: SOLDER

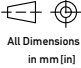

LED LENS: EPOXY

OPERATING TEMPERATURE: -40°C TO 85°C

NOTE 1: SIDE SHIELD TABS IN REAR 3.05mm (R).

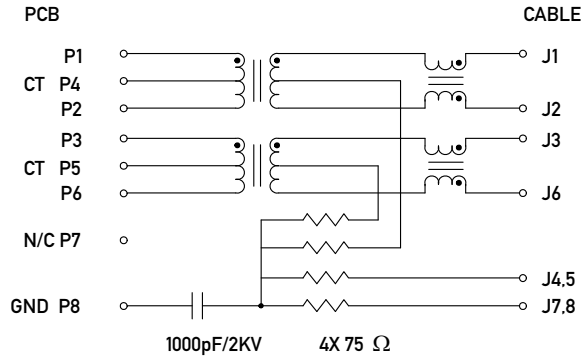
NOTE 2: PANEL GROUND FLANGES BOTH SIDES AND TOP (GF5).

NO. IDENT. NR.	LED 2 LEFT LED 2 LINKS	LED 1 RIGHT LED 1 RECHTS	LED CODE
203290	GREEN	GREEN	L3

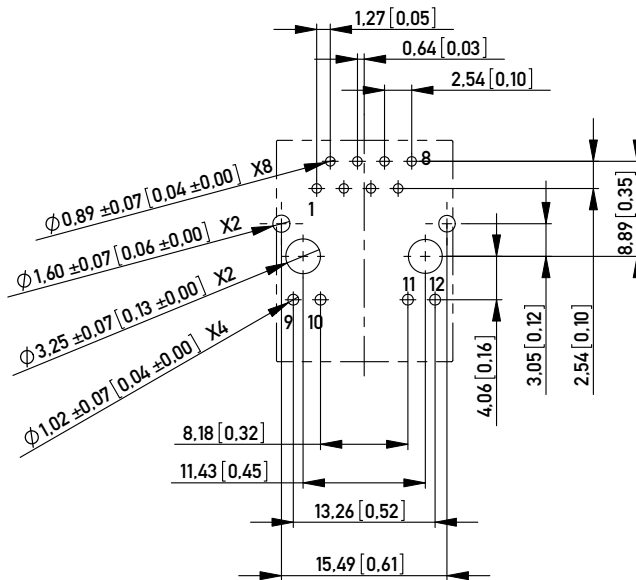
Information: <b>SCHEMATIC NUMBER: H3D01</b>		Tolerances  All Dimensions in mm [in]	Scale <b>2:1</b>
All rights reserved. Only for information. To insure that this is the latest version of this drawing, please contact one of the ERNI companies before using.		Subject to modification without prior notice. Drawing will not be updated.	Designation <b>MOD JACK - MJIM 8C8T, 1x1, INT. MAG., LED ALIGNED</b>
 www.ERNI.com		<b>133883</b>	
B	15.01.2008	1 (1/2)	
Index	Date	A3	
Class		MAXMJ	

Consider protection memos from DIN 54

ELECTRICAL SCHEMATIC - 10/100 BASE TX - H3D01  
 EXTENDED TEMPERATURE RANGE  
 ELEKTRISCHER SCHALTPLAN



RECOMMENDED PCB LAYOUT (COMPONENT SIDE VIEW)  
 EMPFOHLENES LEITERPLATTEN-LAYOUT (BESTÜCKUNGSSEITE)  
 TOL ±0.05 [0.02] UNLESS NOTED



MAGNETICS SPECIFICATIONS @ 25°C  
 AUTO MDIX COMPATIBLE

- TURNS RATIO:  
 (P1-P2:J1-J2) 1CT : 1 ±3%  
 (P3-P6:J3-J6) 1CT : 1 ±3%
- OCL(100 KHz, 0.1 Vrms, 8 mA)  
 (P1-P2:P3-P6) 350 μH MIN
- DCR (P1-P2:P3-P6) 1.1 OHMS MAX
- INSERTION LOSS:  
 0.1-100 MHz -1.1 dB MAX
- RETURN LOSS:  
 0.5-30 MHz -18 dB MIN  
 40 MHz -15.5 dB MIN  
 50 MHz -13.6 dB MIN  
 60-80 MHz -12 dB MIN
- CROSSTALK:  
 0.1-100 MHz -40 dB TYP
- CMR:  
 0.1 - 30 MHz -50 dB TYP  
 30 - 60 MHz -40 dB TYP  
 60 - 100 MHz -35 dB TYP
- ISOLATION 1,500 Vrms

LED SPECIFICATIONS  
 LED ANWEISUNG

COLOR FARBE	Vf TYP	Vf MAX	If mA	CIRCUIT DIAGRAM SCHALTPLAN
GREEN	2.2	2.5	20	

Information:	Tolerances		Scale 2:1
SCHEMATIC NUMBER: H3D01		All Dimensions in mm [in]	
All rights reserved. Only for information. To insure that this is the latest version of this drawing, please contact one of the ERNI companies before using.		Subject to modification without prior notice. Drawing will not be updated.	
www.ERNI.com		Designation <b>MOD JACK - MJIM</b> <b>8C8T, 1x1, INT. MAG., LED ALIGNED</b>	
		133883	I (2/2) A3
Class		MAXMJ	

Consider protection mems from DIN 54

## X-ON Electronics

Largest Supplier of Electrical and Electronic Components

*Click to view similar products for [Modular Connectors](#) / [Ethernet Connectors](#) category:*

*Click to view products by [ERNI](#) manufacturer:*

Other Similar products are found below :

[8949-H88/06BLKA/SN](#) [74441-0010/BKN](#) [MP1010RX-1000](#) [MP44RX-1000](#) [PHJ-4P4C-1-V-4](#) [PHP-6P6C-5](#) [GAX-3-66](#) [GAX-8-62](#) [GDCX-PA-66-50](#) [GDCX-PN-64](#) [GDCX-PN-66](#) [GDCX-PN-66-50](#) [GDLX-A-66](#) [GDLX-N-66](#) [GDLX-S-66](#) [GDLX-S-88K](#) [GDLX-SMT-S-88](#) [GDTX-S-88-50](#) [GDX-PA-1010](#) [GLX-N-1010M-BLK](#) [GLX-S-88M-BLK](#) [GMX-N-1010](#) [GMX-S-1010](#) [GMX-S-66](#) [GMX-SMT4-N-88](#) [GPX-2-64](#) [GSGX-N-2-88](#) [GSGX-N-4-88](#) [GSX-NS2-88-3.05](#) [GSX-NS2-88-3.05-50](#) [GSX-NS-88-3.05-50](#) [PT-108A-8C-UL](#) [PT-J951-8C](#) [PTS-J531-8CS-50UL](#) [1-1775629-2](#) [A-2014-0-4](#) [GWLX-S-88-GR](#) [GWLX-S9-88-YG](#) [DC-1021-8-WH-6](#) [1300530003](#) [1324640-4](#) [RJ11FTVC2G](#) [RJ11FTVC2N](#) [RJFTVX2SA1G](#) [132764-001](#) [1413235](#) [MP88X-1000](#) [MPS88RX-5000](#) [E5288-S000K3-L](#) [E5908-15A242-L](#)