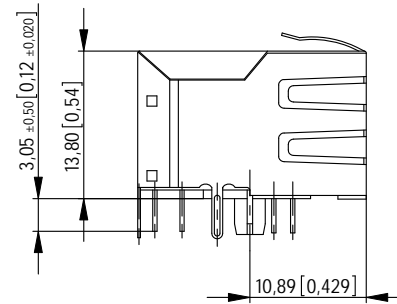
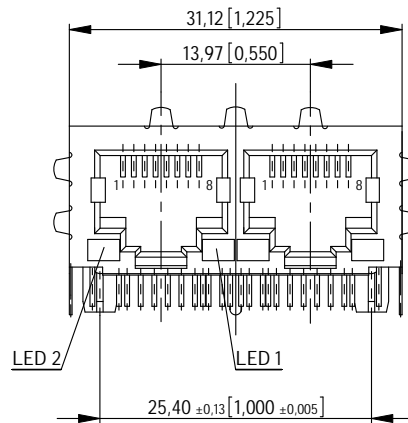
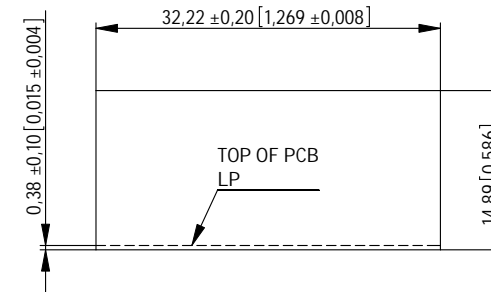


RECOMMENDED PANEL CUTOUT
EMPFÖHLENER FRONTPLATTEN AUSSCHNITT



- NOTE 1: ONE REAR SHIELD TAB CENTERED
 NOTE 2: SIDE GROUND TAB REAR OF PEG 3.05 mm (R)
 NOTE 3: PANEL GROUND FLANGES BOTH SIDES AND TOP (GF5)
 NOTE 4: RoHS COMPLIANT

NO. IDENT. NR.	LED 2 LEFT LED 2 LINK	LED 1 RIGHT LED 1 RECHTE	LED CODE
203306	YELLOW	GREEN	L1
203307	GREEN	YELLOW	L2
203308	GREEN	GREEN	L3
203309	GREEN	RED	L4
203310	ORANGE/GREEN	ORANGE/GREEN	L9

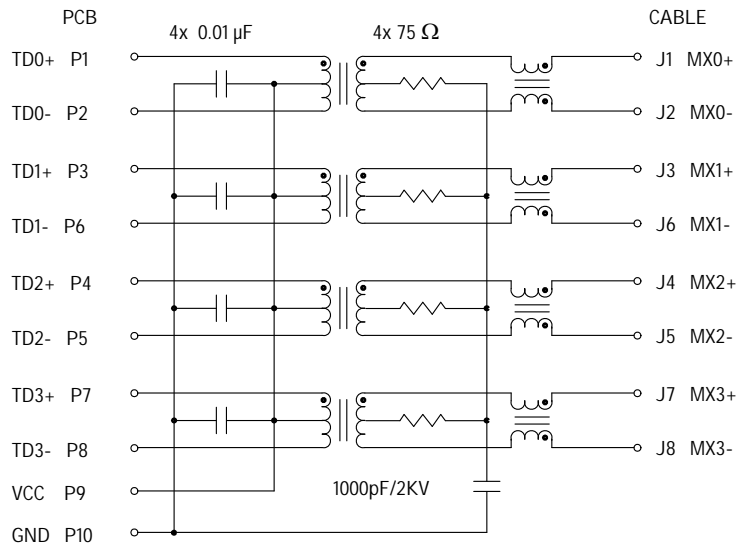
MATERIALS AND FINISH

- HOUSING: GLASS FILLED POLYESTER UL 94 V-0 BLACK
 SHIELDING: Cu ALLOY, PLATED WITH Ni
 CONTACTS: PHOSPHOR BRONZE
 CONTACT FINISH: Au, 0.8 µm (30 µin) OVER Ni
 TERMINAL FINISH: Sn MATTE
 LED LENS: EPOXY
 OPERATING TEMPERATURE: 0°C TO 70°C

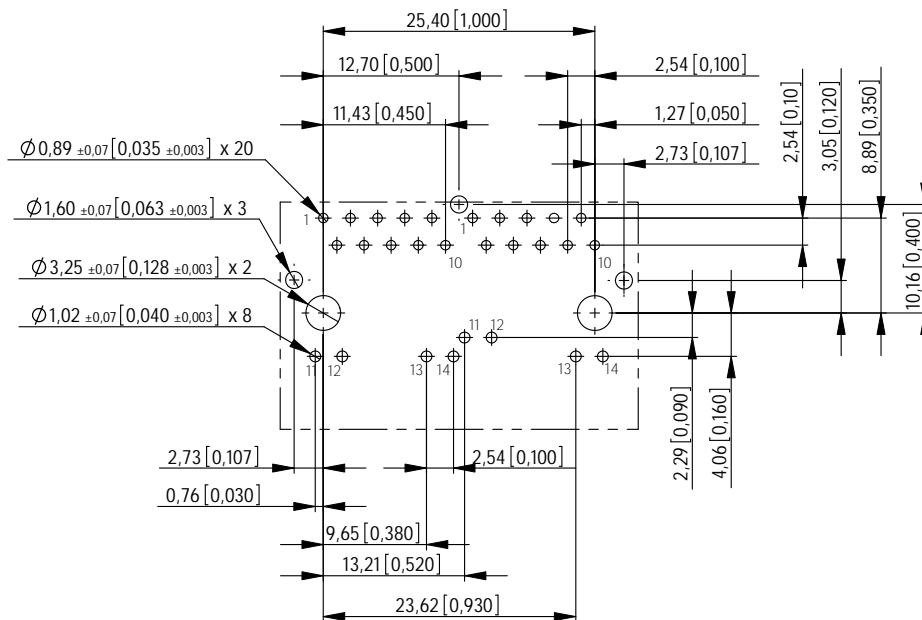
Copyright by ERNI GmbH.
Proprietary notice pursuant to ISO 16106 to be observed.

Information: SCHEMATIC NO: M5B01		Tolerances		Scale 2:1
All rights reserved. Only for Information. To insure that this is the latest version of this drawing, please contact one of the ERNI companies before using.		Subject to modification without prior notice. Drawing will not be updated.		Designation MOD JACK - MJIM 8C10T, 1x2, INT. MAG., LED ALIGNED
		www.ERNI.com		203305
B	05.02.2007			1 (1/2)
Index	Date			A3
				Class MJIM

ELECTRICAL SCHEMATICS 1000 BASE T - M5B01
ELEKTRISCHER SCHALTPLAN



RECOMMENDED PCB LAYOUT - COMPONENT SIDE VIEW
EMPFOHLENES LEITERPLATTEN-LAYOUT - BESTÜCKUNGSSEITE
ALL TOLERANCES ±0.05 UNLESS NOTED



LED SPECIFICATIONS
LED ANWEISUNG

MAGNETICS SPECIFICATIONS @ 25°C

TURN RATIO:	1CT:1CT ±3%
OCL(100 KHz, 0.1 V, 8 mA)	350 µH MIN
INSERTION LOSS:	
1-100 MHz	-1.1 dB MAX
RETURN LOSS:	
1-40 MHz	-18 dB MIN
60 MHz	-14 dB MIN
80 MHz	-12 dB MIN
100 MHz	-10 dB MIN
CROSSTALK:	
1-100 MHz	-35 dB TYP
CMR:	
0.1 - 30 MHz	-50 dB TYP
30 - 60 MHz	-40 dB TYP
60 - 100 MHz	-35 dB TYP
ISOLATION	1500 Vrms

COLOR FARBE	V _f TYP	V _f MAX	I _f mA	CIRCUIT DIAGRAM SCHALTSKIZZE
YELLOW	2.1	2.5	20	
GREEN	2.2	2.5	20	
RED	2.25	2.5	20	
ORANGE/GREEN	2.05/2.2	2.5	20	

Information:	Tolerances All Dimensions in mm [in]	Scale 2:1						
All rights reserved. Only for Information. To insure that this is the latest version of this drawing, please contact one of the ERNI companies before using.	Subject to modification without prior notice. Drawing will not be updated.	Designation MOD JACK - MJIM 8C10T, 1x2, INT. MAG., LED ALIGNED						
		<table border="1"> <tr> <td></td> <td>www.ERNI.com</td> <td>203305</td> <td>I (2/2)</td> </tr> <tr> <td colspan="2">Class</td> <td>MJIM</td> <td>A3</td> </tr> </table>		www.ERNI.com	203305	I (2/2)	Class	
	www.ERNI.com	203305	I (2/2)					
Class		MJIM	A3					

Copyright by ERNI GmbH. Proprietary notice pursuant to ISO 16106 to be observed.

X-ON Electronics

Largest Supplier of Electrical and Electronic Components

Click to view similar products for [Modular Connectors / Ethernet Connectors](#) category:

Click to view products by [ERNI](#) manufacturer:

Other Similar products are found below :

[8949-H88/06BLKA/SN](#) [74441-0010/BKN](#) [MP1010RX-1000](#) [MP44RX-1000](#) [PHJ-4P4C-1-V-4](#) [PHP-6P6C-5](#) [GAX-3-66](#) [GAX-8-62](#) [GDCX-PA-66-50](#) [GDCX-PN-64](#) [GDCX-PN-66](#) [GDCX-PN-66-50](#) [GDLX-A-66](#) [GDLX-N-66](#) [GDLX-S-66](#) [GDLX-S-88K](#) [GDLX-SMT-S-88](#) [GDTX-S-88-50](#) [GDX-PA-1010](#) [GLX-N-1010M-BLK](#) [GLX-S-88M-BLK](#) [GMX-N-1010](#) [GMX-S-1010](#) [GMX-S-66](#) [GMX-SMT4-N-88](#) [GPX-2-64](#) [GSGX-N-2-88](#) [GSGX-N-4-88](#) [GSX-NS2-88-3.05](#) [GSX-NS2-88-3.05-50](#) [GSX-NS-88-3.05-50](#) [PT-108A-8C-UL](#) [PT-J951-8C](#) [PTS-J531-8CS-50UL](#) [1-1775629-2](#) [A-2014-0-4](#) [GWLX-S-88-GR](#) [GWLX-S9-88-YG](#) [DC-1021-8-WH-6](#) [1300530003](#) [1324640-4](#) [RJ11FTVC2G](#) [RJ11FTVC2N](#) [RJFTVX2SA1G](#) [132764-001](#) [1413235](#) [MP88X-1000](#) [MPS88RX-5000](#) [E5288-S000K3-L](#) [E5908-15A242-L](#)