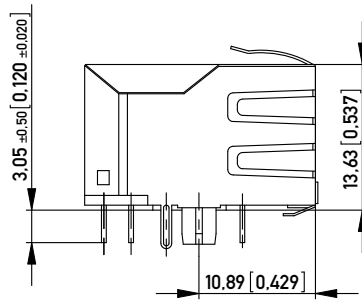
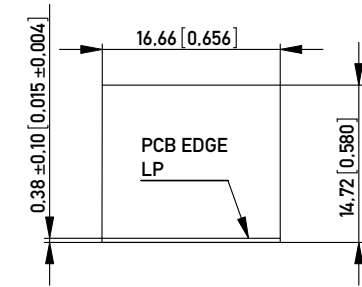
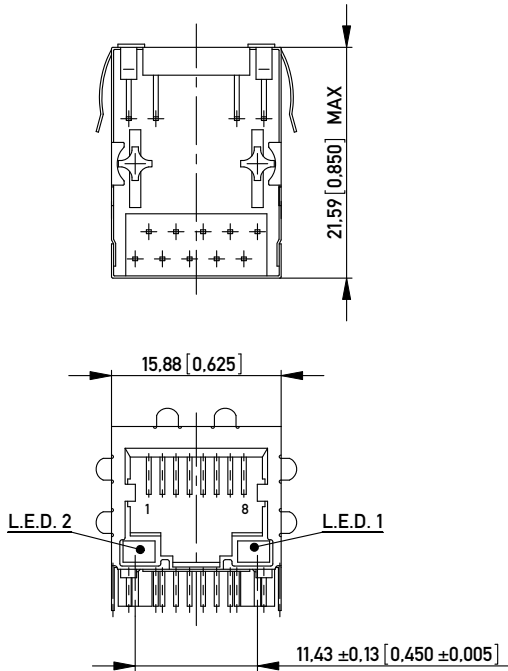


RECOMMENDED PANEL CUTOUT
EMPFÖHLENER FRONTPLATTEN AUSSCHNITT



- NOTE 1: SIDE SHIELD TABS IN REAR 3.05mm (R)
 NOTE 2: PANEL GROUND FLANGES BOTH SIDES, TOP AND BOTTOM (GF5)
 NOTE 3: PIN 7 PAD TO BE UNDERSIZED TO MEET ISOLATION REQUIREMENT
 NOTE 4: RoHS COMPLIANT; PRINT "RC" WITH DATE CODE

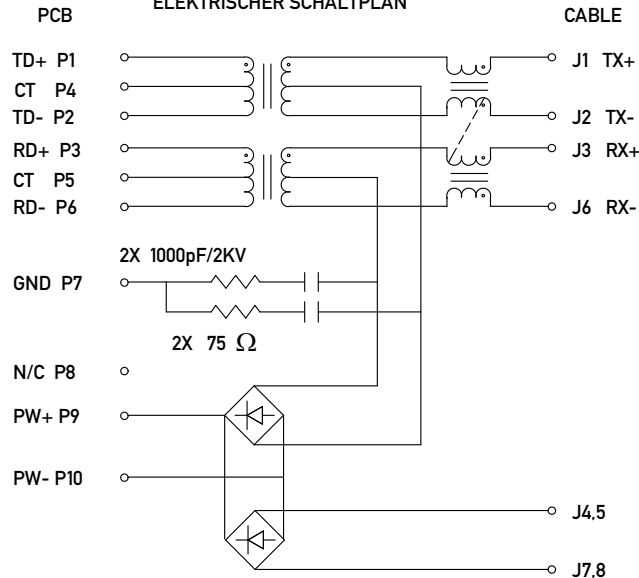
MATERIALS AND FINISH

HOUSING: GLASS FILLED POLYESTER UL 94 V-0 BLACK
 SHIELDING: Cu ALLOY, PLATED WITH Ni
 CONTACTS: PHOSPHOR BRONZE
 CONTACT FINISH: Au, 0.8 µm (30 µin), OVER Ni
 TERMINAL FINISH: Sn MATTE
 LED LENS: EPOXY
 MECHANICAL CHARACTERISTICS
 DURABILITY: 1000 MATING CYCLES
 ELECTRICAL CHARACTERISTICS
 OPERATING TEMPERATURE: 0°C TO 55°C

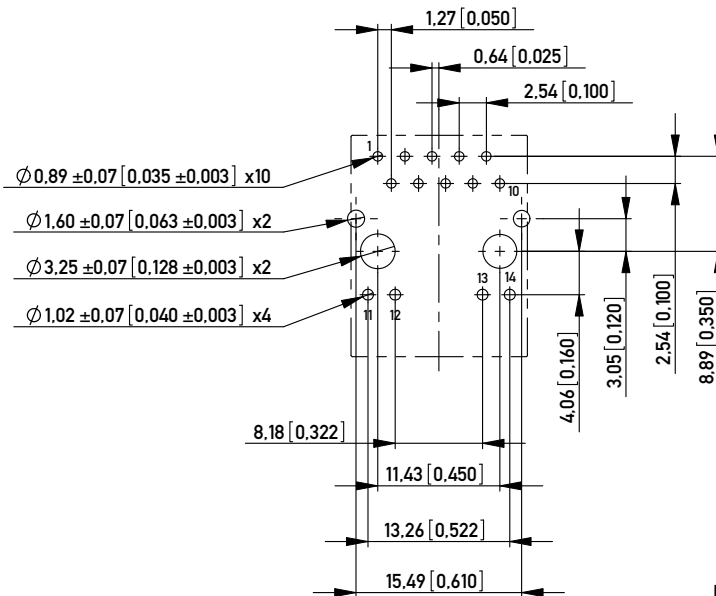
PART NO. IDENT. NR.	LED 2 LEFT LED 2 LINK	LED 1 RIGHT LED 1 RECHTE	LED CODE
203318	YELLOW	GREEN	L1
203319	GREEN	YELLOW	L2
203320	GREEN	GREEN	L3
203321	GREEN	RED	L4
203322	ORANGE/GREEN	ORANGE/GREEN	L9

Copyright by ERNI GmbH Proprietary notice pursuant to ISO 16016 to be observed.	Information: SCHEMATIC NUMBER: M6A01	Tolerances All Dimensions in mm [in]	Scale 2:1	
	All rights reserved. Only for Information. To insure that this is the latest version of this drawing, please contact one of the ERNI companies before using.	Subject to modification without prior notice. Drawing will not be updated.	Designation MOD JACK - MJIM 8C10T, 1x1, INT. MAG., LED ALIGNED	
D Index	11.01.2008 Date	www.ERNI.com	203317	I (1/2) A3
		Class	MJIM	

ELECTRICAL SCHEMATIC - M6A01
10/100 BASE TX WITH REMOTE POWER
ELEKTRISCHER SCHALTPLAN



RECOMMENDED PCB LAYOUT (COMPONENT SIDE VIEW)
EMPFOHLENES LEITERPLATTEN-LAYOUT (BESTUECKUNGSSEITE)
TOL ±0.05 [0.002] UNLESS NOTED



LED SPECIFICATIONS
LED ANWEISUNG

MAGNETICS SPECIFICATIONS @ 25°C

Turns Ratio:	1CT : 1CT ±3%
(P1-P2 : J1-J2)	
(P3-P6 : J3-J6)	
OCL (100 KHz, 0.1 Vrms, 8 mA)	350µH MIN
(P1-P2 : P3-P6)	
DCR (P1-P2, P3-P6)	0.9 OHMS MAX
Insertion Loss:	
0.1-100 MHz	-1.1 dB MAX
Return Loss:	
0.5 - 30 MHz	-18 dB MIN
40 MHz	-15.5 dB MIN
50 MHz	-13.6 dB MIN
60 - 80 MHz	-12 dB MIN
Crosstalk:	
1-100 MHz	-38 dB TYP
CMR:	
0.1 - 30 MHz	-50 dB TYP
30 - 60 MHz	-40 dB TYP
60 - 100 MHz	-30 dB TYP
Isolation	1500 Vrms

COLOR FARBE	V _f TYP	V _f MAX	I _f mA	CIRCUIT DIAGRAM SCHALTSKIZZE
YELLOW	2.1	2.5	20	
GREEN	2.2	2.5	20	
RED	2.25	2.5	20	
ORANGE/GREEN	2.05/2.2	2.5	20	

Information:	Tolerances		Scale	2:1
	All rights reserved. Only for Information. To insure that this is the latest version of this drawing, please contact one of the ERNI companies before using.		Designation	
Subject to modification without prior notice. Drawing will not be updated.		MOD JACK - MJIM		1 (2/2)
www.ERNI.com		203317		
Class		MJIM		A3

Copyright by ERNI GmbH
Proprietary notice pursuant to ISO 16016 to be observed.

X-ON Electronics

Largest Supplier of Electrical and Electronic Components

Click to view similar products for [Modular Connectors / Ethernet Connectors](#) category:

Click to view products by [ERNI](#) manufacturer:

Other Similar products are found below :

[8949-H88/06BLKA/SN](#) [74441-0010/BKN](#) [MP1010RX-1000](#) [MP44RX-1000](#) [PHJ-4P4C-1-V-4](#) [PHP-6P6C-5](#) [GAX-3-66](#) [GAX-8-62](#) [GDCX-PA-66-50](#) [GDCX-PN-64](#) [GDCX-PN-66](#) [GDCX-PN-66-50](#) [GDLX-A-66](#) [GDLX-N-66](#) [GDLX-S-66](#) [GDLX-S-88K](#) [GDLX-SMT-S-88](#) [GDTX-S-88-50](#) [GDX-PA-1010](#) [GLX-N-1010M-BLK](#) [GLX-S-88M-BLK](#) [GMX-N-1010](#) [GMX-S-1010](#) [GMX-S-66](#) [GMX-SMT4-N-88](#) [GPX-2-64](#) [GSGX-N-2-88](#) [GSGX-N-4-88](#) [GSX-NS2-88-3.05](#) [GSX-NS2-88-3.05-50](#) [GSX-NS-88-3.05-50](#) [PT-108A-8C-UL](#) [PT-J951-8C](#) [PTS-J531-8CS-50UL](#) [1-1775629-2](#) [A-2014-0-4](#) [GWLX-S-88-GR](#) [GWLX-S9-88-YG](#) [DC-1021-8-WH-6](#) [1300530003](#) [1324640-4](#) [RJ11FTVC2G](#) [RJ11FTVC2N](#) [RJFTVX2SA1G](#) [132764-001](#) [1413235](#) [MP88X-1000](#) [MPS88RX-5000](#) [E5288-S000K3-L](#) [E5908-15A242-L](#)