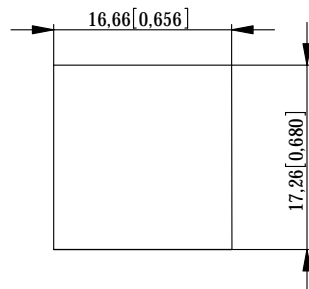


RECOMMENDED PANEL CUTOUT  
EMPFOHLENER FRONTPLATTEN AUSSCHNITT



**MATERIALS AND FINISH**

HOUSING: GLASS FILLED POLYESTER UL 94 V-0 BLACK  
 SHIELDING: Cu ALLOY, PLATED WITH Ni  
 CONTACTS: PHOSPHOR BRONZE  
 CONTACT FINISH: Au, 0.8 µm (30 µin) OVER Ni  
 TERMINAL FINISH: Sn MATTE  
 LED LENS: EPOXY

**MECHANICAL CHARACTERISTICS**

DURABILITY: 1000 MATING CYCLES

**ELECTRICAL CHARACTERISTICS**

CONTACT RESISTANCE: 30 MILLIOHMS MAX  
 OPERATING TEMPERATURE: 0°C TO 70°C

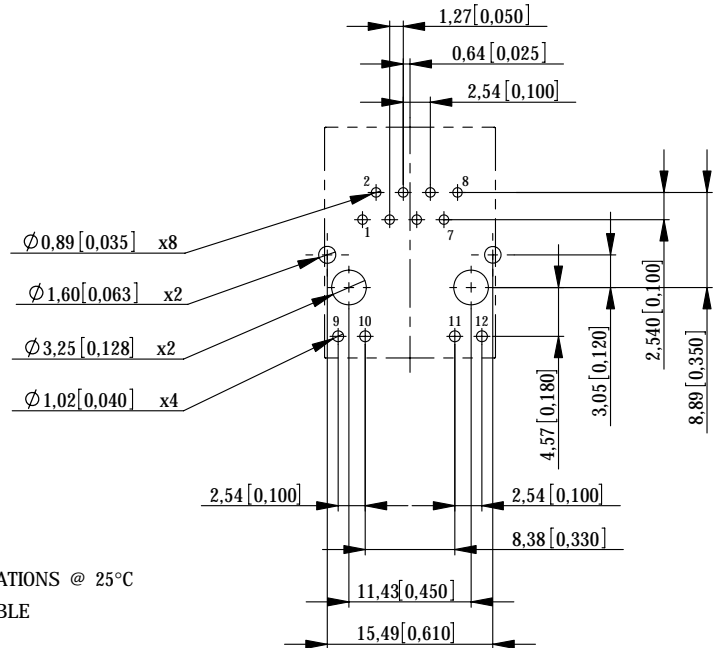
NOTE 1: RoHS COMPLIANT; PRINT "RC" WITH DATE CODE

NO. IDENT.-NR.	LED 2 LEFT LED 2 LINKS	LED 1 RIGHT LED 1 RECHTS	LED CODE
203323	YELLOW	GREEN	L1
203324	GREEN	YELLOW	L2
203325	GREEN	GREEN	L3
203326	GREEN	RED	L4
203327	ORANGE/GREEN	ORANGE/GREEN	L9

Information: SCHEMATIC NUMBER: M3D01	Tolerances	 All Dimensions in mm [in]	Scale 2:1
	All rights reserved. Only for Information. To insure that this is the latest version of this drawing, please contact one of the ERNI companies before using.		Subject to modification without prior notice. Drawing will not be updated.
www.ERNI.com		<b>203289</b>	
B	30.11.2006	1 (1/2)	
Index	Date	A3	
		Class MJIM	

Copyright by ERNI GmbH  
Proprietary notice pursuant to ISO 16006 to be observed

RECOMMENDED PCB LAYOUT (COMPONENT SIDE VIEW)  
 EMPFOHLENES LEITERPLATTEN-LAYOUT (BESTÜCKUNGSSEITE)  
 TOL ±0.05 [0.002] UNLESS NOTED



MAGNETICS SPECIFICATIONS @ 25°C

AUTO MDIX COMPATIBLE

URNS RATIO:

(P1-P2 : J1-J2) 1CT : 1 ±3%  
 (P3-P6 : J3-J6) 1CT : 1 ±3%

OCL(100 KHz, 0.1 Vrms, 8 mA)

(P1-P2 : P3-P6) 350µH MIN

DCR (P1-P2, P3-P6) 0.9 OHMS MAX

INSERTION LOSS:

0.1-100 MHz -1.1 dB MAX

RETURN LOSS:

0.5 - 30 MHz: -18 dB MIN  
 40 MHz: -15.5 dB MIN  
 50 MHz: -13.6 dB MIN  
 60 - 80 MHz: -12 dB MIN

CROSSTALK:

1-100 MHz -40 dB TYP

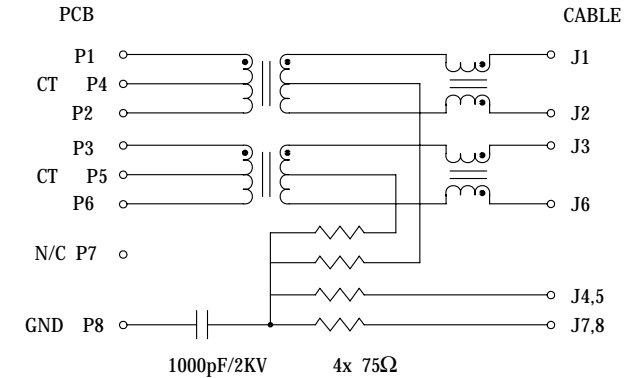
CMR:

0.1 - 30 MHz -50 dB TYP  
 30 - 60 MHz -40 dB TYP  
 60 - 100 MHz -35 dB TYP

ISOLATION

1500 Vrms

ELECTRICAL SCHEMATIC M3D01  
 ELEKTRISCHER SCHALTPLAN



LED SPECIFICATIONS  
 LED ANWEISUNG

COLOR FARBE	V <sub>f</sub> TYP	V <sub>f</sub> MAX	I <sub>f</sub> mA	CIRCUIT DIAGRAM SCHALTPLAN
YELLOW	2.1	2.5	20	
GREEN	2.2	2.5	20	
RED	2.25	2.5	20	
ORANGE/GREEN	2.05/2.2	2.5	20	

Information:  All rights reserved. Only for information. To insure that this is the latest version of this drawing, please contact one of the ERNI companies before using.	Tolerances  All Dimensions in mm[in]	Scale 2:1	Designation <b>MOD - JACK MJIMV</b> <b>1x1, 8C8T, VERTICAL, INT.MAG., LED</b>
	Subject to modification without prior notice. Drawing will not be updated.		
			1 (2/2) A3

Copyright by ERNI GmbH  
 Proprietary notice pursuant to ISO 90016 to be observed

## X-ON Electronics

Largest Supplier of Electrical and Electronic Components

*Click to view similar products for [Modular Connectors / Ethernet Connectors](#) category:*

*Click to view products by [ERNI](#) manufacturer:*

Other Similar products are found below :

[8949-H88/06BLKA/SN](#) [74441-0010/BKN](#) [MP1010RX-1000](#) [MP44RX-1000](#) [PHJ-4P4C-1-V-4](#) [PHP-6P6C-5](#) [GAX-3-66](#) [GAX-8-62](#) [GDCX-PA-66-50](#) [GDCX-PN-64](#) [GDCX-PN-66](#) [GDCX-PN-66-50](#) [GDLX-A-66](#) [GDLX-N-66](#) [GDLX-S-66](#) [GDLX-S-88K](#) [GDLX-SMT-S-88](#) [GDTX-S-88-50](#) [GDX-PA-1010](#) [GLX-N-1010M-BLK](#) [GLX-S-88M-BLK](#) [GMX-N-1010](#) [GMX-S-1010](#) [GMX-S-66](#) [GMX-SMT4-N-88](#) [GPX-2-64](#) [GSGX-N-2-88](#) [GSGX-N-4-88](#) [GSX-NS2-88-3.05](#) [GSX-NS2-88-3.05-50](#) [GSX-NS-88-3.05-50](#) [PT-108A-8C-UL](#) [PT-J951-8C](#) [PTS-J531-8CS-50UL](#) [1-1775629-2](#) [A-2014-0-4](#) [GWLX-S-88-GR](#) [GWLX-S9-88-YG](#) [DC-1021-8-WH-6](#) [1300530003](#) [1324640-4](#) [RJ11FTVC2G](#) [RJ11FTVC2N](#) [RJFTVX2SA1G](#) [132764-001](#) [1413235](#) [MP88X-1000](#) [MPS88RX-5000](#) [E5288-S000K3-L](#) [E5908-15A242-L](#)