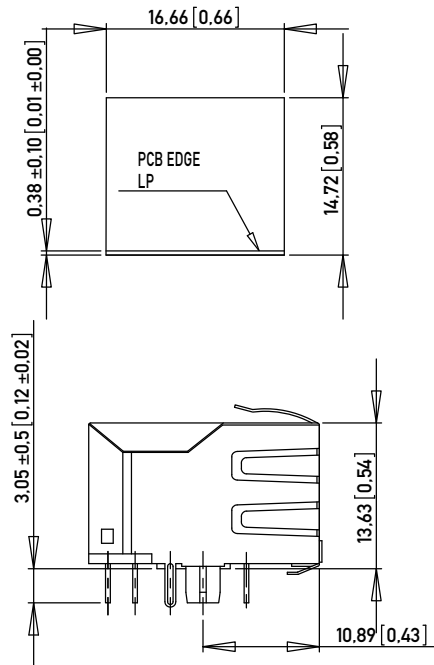


RECOMMENDED PANEL CUTOUT
EMPFOLLENER FRONTPLATTEN AUSSCHNITT



NOTE 1: SIDE SHIELD TABS IN REAR 3.05mm (R)

NOTE 2: PANEL GROUND FLANGES BOTH SIDES AND TOP (GF5)

MATERIALS AND FINISH

HOUSING: GLASS FILLED POLYESTER UL 94 V-0 BLACK
SHIELDING: Cu ALLOY, PLATED WITH Ni
CONTACTS: PHOSPHOR BRONZE
CONTACT FINISH: Au, 0.8 µm (30 µin) OVER Ni
TERMINAL FINISH: Sn matte
LED LENS: EPOXY

MECHANICAL CHARACTERISTICS

DURABILITY: 1000 MATING CYCLES

ELECTRICAL CHARACTERISTICS

CONTACT RESISTANCE: 30 MILLIOHMS MAX
OPERATING TEMPERATURE: -40°C TO +85°C

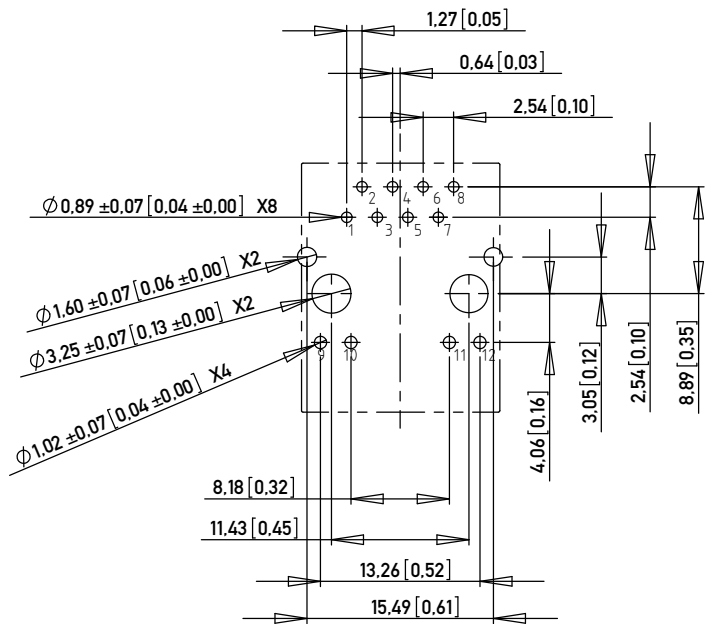
NO. IDENT. NR.	LED 2 LEFT LED 2 LINK	LED 1 RIGHT LED 1 RECHTE	LED CODE
203329	YELLOW	GREEN	L1
203330	GREEN	YELLOW	L2
203331	GREEN	GREEN	L3
203332	GREEN	RED	L4
203333	ORANGE/GREEN	ORANGE/GREEN	L9

Information:		Tolerances ±0.2 mm (±0.008 inch) if not specified		Scale 1:1
SCHEMATIC Number: T3D01		All Dimensions in mm		
All rights reserved. Only for Information. To ensure that this is the latest version of this drawing, please contact one of the ERNI companies before using.		Subject to modification without prior notice. Drawing will not be updated.		Designation MOD-JACK-MJIM 8C8T,1x1.INT.MAG.,LED ALIGNED
		www.ERNI.com		203328
a	01.09.2010			1 (1/2)
Index	Date			A3
				Class MJIM

Copyright by ERNI GmbH
Proprietary notice pursuant to ISO 16016 to be observed.

RECOMMENDED PCB LAYOUT (COMPONENT SIDE VIEW)
 EMPFOHLENER FUER LEITERPLATTE (BESTUECKUNGSSEITE)

TOL ±0.05 [0.02] UNLESS NOTED

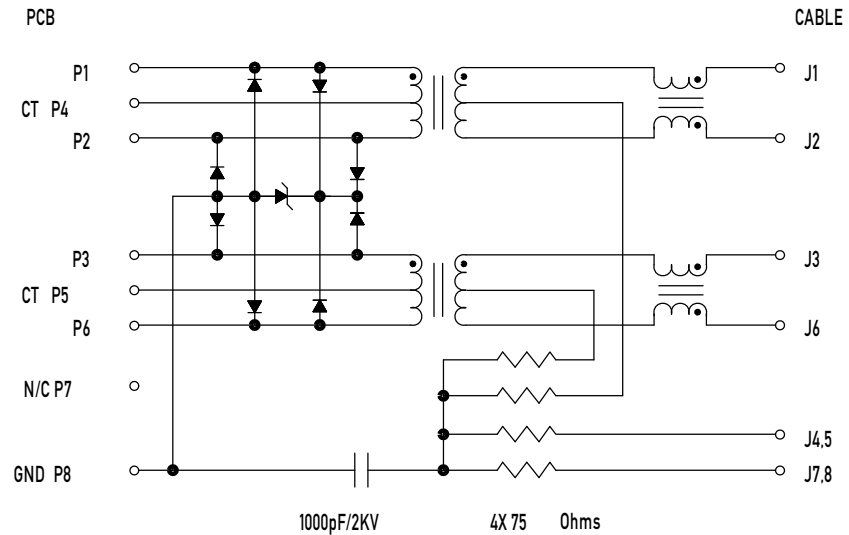


ELECTRICAL SCHEMATIC - 10/100 BASE TX - T3D01

EXTENDED TEMPERATURE RANGE

COMPLIANT WITH GR1089 INTRA-BUILDING LIGHTNING SURGE TEST REQUIREMENTS

ELEKTRISCHES DIAGRAMM



MAGNETICS SPECIFICATIONS @ 25°C

AUTO MDIX COMPATIBLE

URNS RATIO:

(P1-P2 : J1-J2) 1CT : 1 ±3%

(P3-P6 : J3-J6) 1CT : 1 ±3%

OCL (100KHz, 0.1Vrms, 8mA)

(P1-P2 : P3-P6) 350µH MIN

DCR (P1-P2, P3-P6) 1.1 OHMS MAX

INSERTION LOSS:

0.1 MHz - 100 MHz -1.1 dB MAX

RETURN LOSS:

0.5 MHz - 30 MHz -18 dB MIN

40 MHz -15.5 dB MIN

50 MHz -13.6 dB MIN

60 MHz -12 dB MIN

CROSSTALK (0.1 MHz - 100 MHz): -40 dB TYP

COMMON MODE REJECTION

0.1 MHz - 30 MHz: -50 dB TYP

30 MHz - 60 MHz: -40 dB TYP

60 MHz - 100 MHz: -35 dB TYP

ISOLATION: 1500 Vrms

LED SPECIFICATIONS

COLOR FARBE	V _f TYP	V _f MAX	I _f mA	CIRCUIT DIAGRAM SCHALTSKIZZE
YELLOW	2.1	2.5	20	
GREEN	2.2	2.5	20	
RED	2.25	2.5	20	
ORANGE/GREEN	2.05/2.2	2.5	20	

Information:		Tolerances ±0.2 mm (±0.008 inch) if not specified		Scale 1:1
All rights reserved. Only for Information. To ensure that this is the latest version of this drawing, please contact one of the ERNI companies before using.		Subject to modification without prior notice. Drawing will not be updated.		Designation MOD-JACK-MJIM 8C8T,1x1.INT.MAG.,LED ALIGNED
a		01.09.2010		www.ERNI.com
Index		Date		
ERNI			203328	
Class			MJIM	
			I (2/2) A3	

Copyright by ERNI GmbH
 Proprietary notice pursuant to ISO 16016 to be observed.

X-ON Electronics

Largest Supplier of Electrical and Electronic Components

Click to view similar products for [Modular Connectors](#) / [Ethernet Connectors](#) category:

Click to view products by [ERNI](#) manufacturer:

Other Similar products are found below :

[8949-H88/06BLKA/SN](#) [74441-0010/BKN](#) [MP1010RX-1000](#) [MP44RX-1000](#) [PHJ-4P4C-1-V-4](#) [PHP-6P6C-5](#) [GAX-3-66](#) [GAX-8-62](#) [GDCX-PA-66-50](#) [GDCX-PN-64](#) [GDCX-PN-66](#) [GDCX-PN-66-50](#) [GDLX-A-66](#) [GDLX-N-66](#) [GDLX-S-66](#) [GDLX-S-88K](#) [GDLX-SMT-S-88](#) [GDTX-S-88-50](#) [GDX-PA-1010](#) [GLX-N-1010M-BLK](#) [GLX-S-88M-BLK](#) [GMX-N-1010](#) [GMX-S-1010](#) [GMX-S-66](#) [GMX-SMT4-N-88](#) [GPX-2-64](#) [GSGX-N-2-88](#) [GSGX-N-4-88](#) [GSX-NS2-88-3.05](#) [GSX-NS2-88-3.05-50](#) [GSX-NS-88-3.05-50](#) [PT-108A-8C-UL](#) [PT-J951-8C](#) [PTS-J531-8CS-50UL](#) [1-1775629-2](#) [A-2014-0-4](#) [GWLX-S-88-GR](#) [GWLX-S9-88-YG](#) [DC-1021-8-WH-6](#) [1300530003](#) [1324640-4](#) [RJ11FTVC2G](#) [RJ11FTVC2N](#) [RJFTVX2SA1G](#) [132764-001](#) [1413235](#) [MP88X-1000](#) [MPS88RX-5000](#) [E5288-S000K3-L](#) [E5908-15A242-L](#)