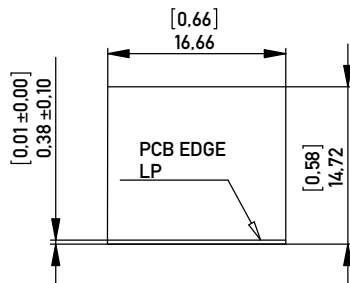


RECOMMENDED PANEL CUTOUT  
EMPFOHLENER FRONTPLATTEN AUSSCHNITT



- NOTE 1: SIDE SHIELD TABS IN REAR 3.05mm (R)  
 NOTE 2: PANEL GROUND FLANGES BOTH SIDES AND TOP (GF5)  
 NOTE 3: APPLICABLE FOR PART 203503:  
 - NO LED PINS  
 - SHIELD ON FRONT SIDE WITHOUT LED OPENINGS

MATERIALS AND FINISH

HOUSING: GLASS FILLED POLYESTER UL 94 V-0 BLACK  
 SHIELDING: Cu ALLOY, PLATED WITH Ni  
 CONTACTS: PHOSPHOR BRONZE  
 CONTACT FINISH: Au, 0.8 μm (30 μin) OVER Ni  
 TERMINAL FINISH: Sn matte  
 LED LENS: EPOXY

MECHANICAL CHARACTERISTICS

DURABILITY: 1000 MATING CYCLES

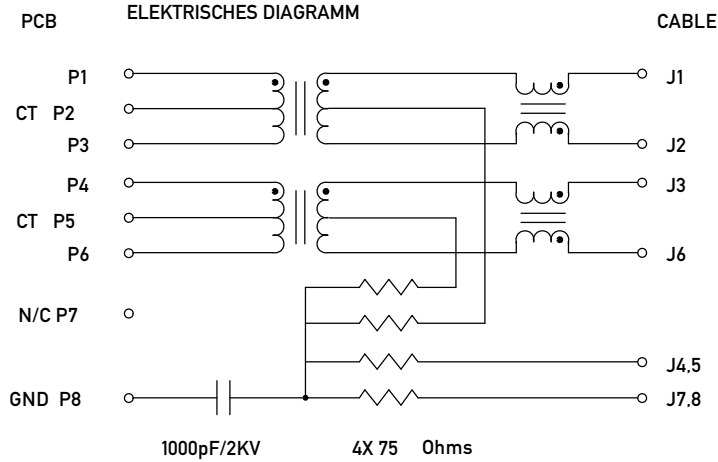
ELECTRICAL CHARACTERISTICS

CONTACT RESISTANCE: 30 MILLIOHMS MAX  
 OPERATING TEMPERATURE: -40°C TO 85°C

NO. IDENT. NR.	LED 2 LEFT LED 2 LINKS	LED 1 RIGHT LED 1 RECHTS	LED CODE
203503	None	None	None
203336	YELLOW	GREEN	L1

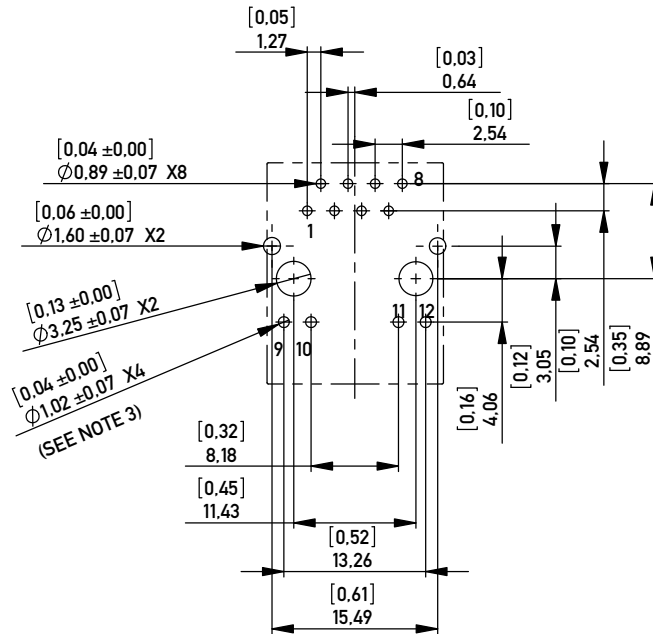
Information: SCHEMATIC NUMBER: H3D02 All rights reserved. Only for Information. To ensure that this is the latest version of this drawing, please contact one of the ERNI companies before using.	Tolerances All Dimensions in mm	Scale 2:1	
		Designation <b>MOD JACK - MJJM</b> 8C8T, 1X1, INT. MAG., LED ALIGNED	
www.ERNI.com <small>Copyright by ERNI Production GmbH &amp; Co. KG Proprietary notice pursuant to ISO 9001 to be observed.</small>	<small>Subject to modification without prior notice. Drawing will not be updated.</small>	<b>203504</b>	I(1/2) A3
		Class MAXMJ	

ELECTRICAL SCHEMATIC - 10/100 BASE TX - H3D02  
EXTENDED TEMPERATURE RANGE



RECOMMENDED PCB LAYOUT (COMPONENT SIDE VIEW)  
EMPFOHLENER FUER LEITERPLATTE (BESTUECKUNGSSEITE)

TOL ±0.05 [0.02] UNLESS NOTED



MAGNETICS SPECIFICATIONS @ 25°C

AUTO MDIX COMPATIBLE

TURNS RATIO:

- (P1-P3 : J1-J2) 1CT : 1 ±3%
- (P4-P6 : J3-J6) 1CT : 1 ±3%

OCL (100KHz, 0.1Vrms, 8mA)

- (P1-P3 : P4-P6) 350µH MIN

DCR (P1-P3, P4-P6)

1.1 OHMS MAX

INSERTION LOSS:

- 0.1 MHz - 100 MHz -1.1 dB MAX

RETURN LOSS:

- 0.5 MHz - 30 MHz -18 dB MIN
- 40 MHz -15.5 dB MIN
- 50 MHz -13.6 dB MIN
- 60 MHz - 80 MHz -12 dB MIN

CROSSTALK (0.1 MHz - 100 MHz): -40 dB TYP

COMMON MODE REJECTION

- 0.1 MHz - 30 MHz: -50 dB TYP
- 30 MHz - 60 MHz: -40 dB TYP
- 60 MHz - 100 MHz: -35 dB TYP

ISOLATION:

1500 Vrms

LED SPECIFICATIONS

LED ANWEISUNG

COLOR FARBE	V <sub>f</sub> TYP	V <sub>f</sub> MAX	I <sub>f</sub> mA	CIRCUIT DIAGRAM SCHALTSKIZZE
YELLOW	2.1	2.5	20	
GREEN	2.2	2.5	20	

Information:	Tolerances		Scale 1:1
	All Dimensions in mm		
All rights reserved. Only for Information. To ensure that this is the latest version of this drawing, please contact one of the ERNI companies before using.	Subject to modification without prior notice. Drawing will not be updated.	Designation	
		MOD JACK - MJIM 8C8T, 1X1, INT. MAG., LED ALIGNED	
	www.ERNI.com	203504	(1/2) A3
c	05.03.2015	Class MAXMJ	
Index	Date		

## X-ON Electronics

Largest Supplier of Electrical and Electronic Components

*Click to view similar products for [Modular Connectors](#) / [Ethernet Connectors](#) category:*

*Click to view products by [ERNI](#) manufacturer:*

Other Similar products are found below :

[8949-H88/06BLKA/SN](#) [74441-0010/BKN](#) [MP1010RX-1000](#) [MP44RX-1000](#) [PHJ-4P4C-1-V-4](#) [PHP-6P6C-5](#) [GAX-3-66](#) [GAX-8-62](#) [GDCX-PA-66-50](#) [GDCX-PN-64](#) [GDCX-PN-66](#) [GDCX-PN-66-50](#) [GDLX-A-66](#) [GDLX-N-66](#) [GDLX-S-66](#) [GDLX-S-88K](#) [GDTX-S-88-50](#) [GDX-PA-1010](#) [GLX-N-1010M-BLK](#) [GLX-S-88M-BLK](#) [GMX-N-1010](#) [GMX-S-1010](#) [GMX-S-66](#) [GMX-SMT4-N-88](#) [GPX-2-64](#) [GSGX-N-2-88](#) [GSGX-N-4-88](#) [GSX-NS2-88-3.05](#) [GSX-NS2-88-3.05-50](#) [GSX-NS-88-3.05-50](#) [PT-108A-8C-UL](#) [PT-J951-8C](#) [PTS-J531-8CS-50UL](#) [1-1775629-2](#) [A-2014-0-4](#) [GWLX-S-88-GR](#) [GWLX-S9-88-YG](#) [DC-1021-8-WH-6](#) [1300530003](#) [1324640-4](#) [RJ11FTVC2G](#) [RJ11FTVC2N](#) [RJFTVX2SA1G](#) [132764-001](#) [1413235](#) [MP88X-1000](#) [MPS88RX-5000](#) [E5288-S000K3-L](#) [E5908-15A242-L](#) [155302-001](#)