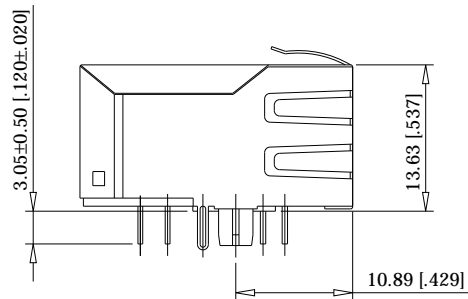
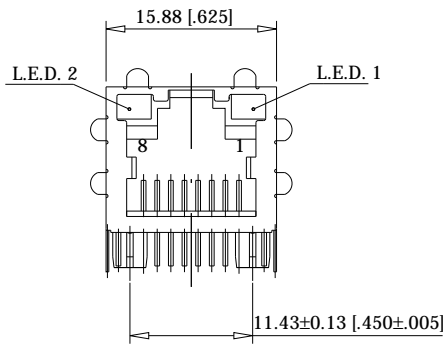
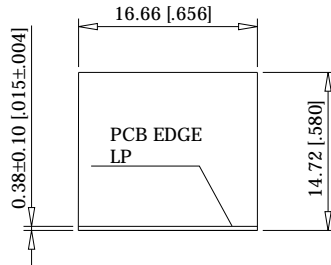


RECOMMENDED PANEL CUTOUT
EMPFOHLENER FRONTPLATTEN AUSSCHNITT



MATERIALS AND FINISH

HOUSING: GLASS FILLED POLYESTER UL 94 V-0 BLACK

SHIELDING: Cu ALLOY, PLATED WITH Ni

CONTACTS: PHOSPHOR BRONZE

CONTACT FINISH: Au, 0.8 μm (30 μin), OVER Ni

TERMINAL FINISH: SnPb

LED LENS: EPOXY

MECHANICAL CHARACTERISTICS

DURABILITY: 1000 MATING CYCLES

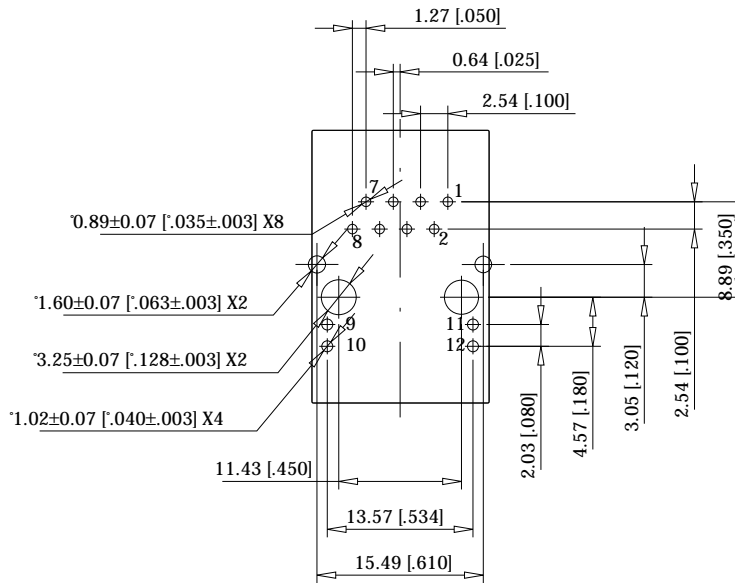
OPERATING TEMPERATURE: 0°C TO 70°C

NO. IDENT. NR.	LED 2 LEFT LED 2 LINK	LED 1 RIGHT LED 1 RECHTE	LED CODE
203354	YELLOW	GREEN	L1
203355	GREEN	YELLOW	L2
203356	GREEN	GREEN	L3
203357	GREEN	RED	L4
203358	ORANGE/GREEN	ORANGE/GREEN	L9

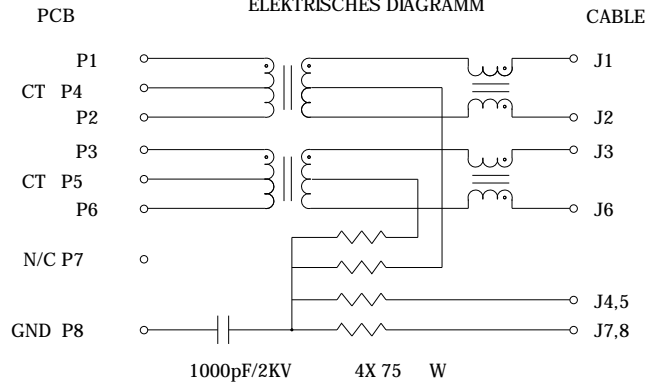
Information: SCHEMATIC NUMBER M3D01	Tolerances	All Dimensions in mm	Scale 2:1	-
	All rights reserved. Only for information. To insure that this is the latest version of this drawing, please contact one of the ERNI companies before using.	Subject to modification without prior notice. Drawing will not be updated.	Designation MOD JACK - MJIMR 8C8T, 1X1, INT. MAG., LED, REVERSE LATCH	
	www.ERNI.com	203353		I
Index	Date	MAXMJ		

Consider protection memo from DIN 34

RECOMMENDED PCB LAYOUT (COMPONENT SIDE VIEW)
 EMPFOHLENER FUER LEITERPLATTE (BESTUECKUNGSSEITE)
 TOL ±0.05 [.002] UNLESS NOTED



ELECTRICAL SCHEMATIC M3D01
 ELEKTRISCHES DIAGRAMM



LED SPECIFICATIONS
 LED ANWEISUNG

MAGNETICS SPECIFICATIONS @ 25°C
 AUTO MDX COMPATIBLE

URNS RATIO:
 (P1-P2 : J1-J2) 1CT : 1 ±3%
 (P3-P6 : J3-J6) 1CT : 1 ±3%

OCL(100 KHz, 0.1 Vrms, 8 mA)
 (P1-P2 : P3-P6) 350µH MIN

DCR (P1-P2, P3-P6) 0.9 OHMS MAX

INSERTION LOSS:
 0.1-100 MHz -1.1 dB MAX

RETURN LOSS:
 0.5 - 30 MHz: -18 dB MIN
 40 MHz: -15.5 dB MIN
 50 MHz: -13.6 dB MIN
 60 - 80 MHz: -12 dB MIN

CROSSTALK:
 1-100 MHz -40 dB TYP

CMR:
 0.1 - 30 MHz -50 dB TYP
 30 - 60 MHz -40 dB TYP
 60 - 100 MHz -35 dB TYP

ISOLATION 1500 Vrms

COLOR FARBE	V _f TYP	V _f MAX	I _f mA	CIRCUIT DIAGRAM SCHALTSKIZZE	
YELLOW	2.1	2.5	20	Φ9 Φ10	Φ11 Φ12
GREEN	2.2	2.5	20	Φ9 Φ10	Φ11 Φ12
RED	2.25	2.5	20	Φ9 Φ10	Φ11 Φ12
ORANGE/GREEN	2.05/2.2	2.5	20	Φ9 Φ10 N	Φ11 Φ12 G

Information:	Tolerances	All Dimensions in mm	Scale 2:1
Consider protection memos from DIN 34 All rights reserved. Only for information. To insure that this is the latest version of this drawing, please contact one of the ERNI companies before using.	Subject to modification without prior notice. Drawing will not be updated.	Designation	
		MOD JACK - MJIMR 8C8T, 1X1, INT. MAG., LED, REVERSE LATCH	
www.ERNI.com		203353	
Index	Date	MAXMJ	

X-ON Electronics

Largest Supplier of Electrical and Electronic Components

Click to view similar products for [Modular Connectors / Ethernet Connectors](#) category:

Click to view products by [ERNI](#) manufacturer:

Other Similar products are found below :

[8949-H88/06BLKA/SN](#) [74441-0010/BKN](#) [MP1010RX-1000](#) [MP44RX-1000](#) [PHJ-4P4C-1-V-4](#) [PHP-6P6C-5](#) [GAX-3-66](#) [GAX-8-62](#) [GDCX-PA-66-50](#) [GDCX-PN-64](#) [GDCX-PN-66](#) [GDCX-PN-66-50](#) [GDLX-A-66](#) [GDLX-N-66](#) [GDLX-S-66](#) [GDLX-S-88K](#) [GDLX-SMT-S-88](#) [GDTX-S-88-50](#) [GDX-PA-1010](#) [GLX-N-1010M-BLK](#) [GLX-S-88M-BLK](#) [GMX-N-1010](#) [GMX-S-1010](#) [GMX-S-66](#) [GMX-SMT4-N-88](#) [GPX-2-64](#) [GSGX-N-2-88](#) [GSGX-N-4-88](#) [GSX-NS2-88-3.05](#) [GSX-NS2-88-3.05-50](#) [GSX-NS-88-3.05-50](#) [PT-108A-8C-UL](#) [PT-J951-8C](#) [PTS-J531-8CS-50UL](#) [1-1775629-2](#) [A-2014-0-4](#) [GWLX-S-88-GR](#) [GWLX-S9-88-YG](#) [DC-1021-8-WH-6](#) [1300530003](#) [1324640-4](#) [RJ11FTVC2G](#) [RJ11FTVC2N](#) [RJFTVX2SA1G](#) [132764-001](#) [1413235](#) [MP88X-1000](#) [MPS88RX-5000](#) [E5288-S000K3-L](#) [E5908-15A242-L](#)