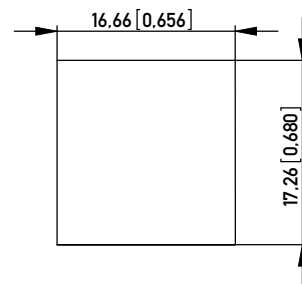


RECOMMENDED PANEL CUTOUT
EMPFOHLENER FRONTPLATTEN AUSSCHNITT



NOTE 1: RoHS COMPLIANT; PRINT "RC" WITH DATE CODE

NO. IDENT.-NR.	LED 2 LEFT LED 2 LINKS	LED 1 RIGHT LED 1 RECHTS	LED CODE
203401	GREEN	YELLOW	L2
203412	YELLOW	GREEN	L1

MATERIALS AND FINISH

HOUSING: GLASS FILLED POLYESTER UL 94 V-0 BLACK

SHIELDING: Cu ALLOY, PLATED WITH Ni

CONTACTS: PHOSPHOR BRONZE

CONTACT FINISH: Au, 0.8 µm (30 µin) OVER Ni

TERMINAL FINISH: Sn MATTE

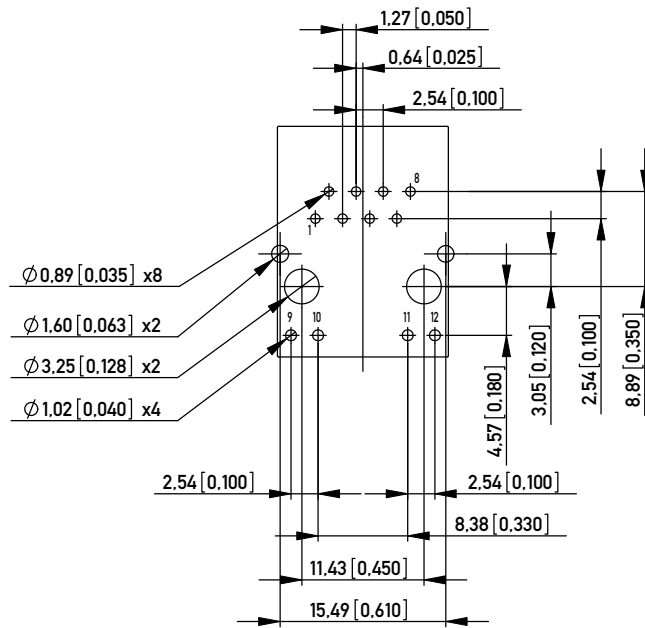
LED LENS: EPOXY

OPERATING TEMPERATURE: -40°C TO 85°C

Copyright by ERNI GmbH
Proprietary notice pursuant to ISO 16016 to be observed.

Information: SCHEMATIC NUMBER: H3D01		Tolerances	All Dimensions in mm (in)	Scale 2:1
All rights reserved. Only for Information. To insure that this is the latest version of this drawing, please contact one of the ERNI companies before using.		Subject to modification without prior notice. Drawing will not be updated.		Designation MOD JACK - MJIMV 1x1, 8C8T, VERTIKAL, INT. MAG., LED
www.ERNI.com		203411		I (1/2) A3
A	15.08.2006	Class		MJIM
Index	Date			

RECOMMENDED PCB LAYOUT (COMPONENT SIDE VIEW)
 EMPFOHLENES LEITERPLATTEN-LAYOUT (BESTÜCKUNGSSEITE)
 TOL ±0.05 [0.002] UNLESS NOTED



MAGNETICS SPECIFICATIONS @ 25°C

AUTO MDIX COMPATIBLE

TURNS RATIO:

(P1-P2 : J1-J2) 1CT : 1 ±3%
 (P3-P6 : J3-J6) 1CT : 1 ±3%

OCL (100KHz, 0.1Vrms, 8mA)

(P1-P2 : P3-P6) 350µH MIN

DCR (P1-P2, P3-P6) 1.1 OHMS MAX

INSERTION LOSS:

0.1 MHz - 100 MHz -1.1 dB MAX

RETURN LOSS:

0.5 MHz - 30 MHz -18 dB MIN

40 MHz -15.5 dB MIN

50 MHz -13.6 dB MIN

60 MHz - 80 MHz -12 dB MIN

CROSSTALK (0.1 MHz - 100 MHz): -40 dB TYP

COMMON MODE REJECTION

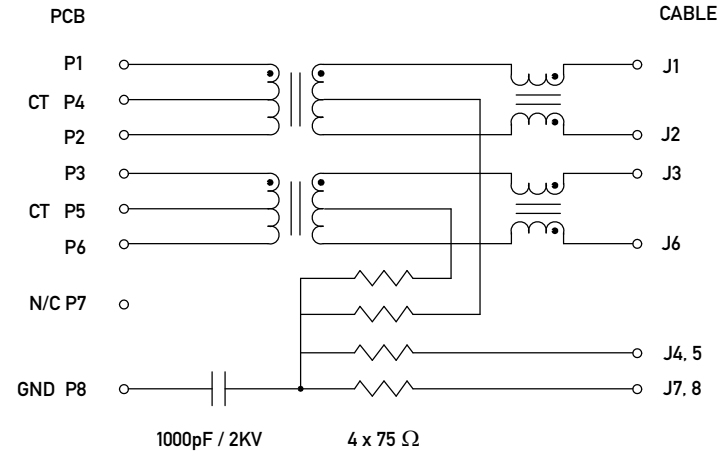
0.1 MHz - 30 MHz: -50 dB TYP

30 MHz - 60 MHz: -40 dB TYP

60 MHz - 100 MHz: -35 dB TYP

ISOLATION: 1500 Vrms

ELECTRICAL SCHEMATIC - 10/100 BASE TX - H3D01
 EXTENDED TEMPERATURE RANGE
 ELEKTRISCHER SCHALTPLAN



LED SPECIFICATIONS

LED ANWEISUNG

COLOR FARBE	V _f TYP	V _f MAX	I _f mA	CIRCUIT DIAGRAM SCHALTPLAN
YELLOW	2.1	2.5	20	
GREEN	2.2	2.5	20	

Copyright by ERNI GmbH
 Proprietary notice pursuant to ISO 16016 to be observed.

Information:	Tolerances All Dimensions in mm (in)	Scale 2:1
All rights reserved. Only for Information. To insure that this is the latest version of this drawing, please contact one of the ERNI companies before using.	Subject to modification without prior notice. Drawing will not be updated.	Designation MOD JACK - MJIMV 1x1, 8C8T, VERTIKAL, INT. MAG., LED
www.ERNI.com	203411	1 (2/2) A3
Class MJIM		

X-ON Electronics

Largest Supplier of Electrical and Electronic Components

Click to view similar products for [Modular Connectors / Ethernet Connectors](#) category:

Click to view products by [ERNI](#) manufacturer:

Other Similar products are found below :

[8949-H88/06BLKA/SN](#) [74441-0010/BKN](#) [MP1010RX-1000](#) [MP44RX-1000](#) [PHJ-4P4C-1-V-4](#) [PHP-6P6C-5](#) [GAX-3-66](#) [GAX-8-62](#) [GDCX-PA-66-50](#) [GDCX-PN-64](#) [GDCX-PN-66](#) [GDCX-PN-66-50](#) [GDLX-A-66](#) [GDLX-N-66](#) [GDLX-S-66](#) [GDLX-S-88K](#) [GDLX-SMT-S-88](#) [GDTX-S-88-50](#) [GDX-PA-1010](#) [GLX-N-1010M-BLK](#) [GLX-S-88M-BLK](#) [GMX-N-1010](#) [GMX-S-1010](#) [GMX-S-66](#) [GMX-SMT4-N-88](#) [GPX-2-64](#) [GSGX-N-2-88](#) [GSGX-N-4-88](#) [GSX-NS2-88-3.05](#) [GSX-NS2-88-3.05-50](#) [GSX-NS-88-3.05-50](#) [PT-108A-8C-UL](#) [PT-J951-8C](#) [PTS-J531-8CS-50UL](#) [1-1775629-2](#) [A-2014-0-4](#) [GWLX-S-88-GR](#) [GWLX-S9-88-YG](#) [DC-1021-8-WH-6](#) [1300530003](#) [1324640-4](#) [RJ11FTVC2G](#) [RJ11FTVC2N](#) [RJFTVX2SA1G](#) [132764-001](#) [1413235](#) [MP88X-1000](#) [MPS88RX-5000](#) [E5288-S000K3-L](#) [E5908-15A242-L](#)