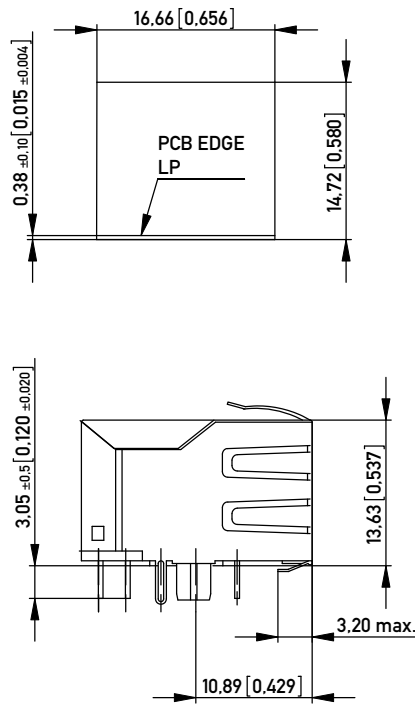
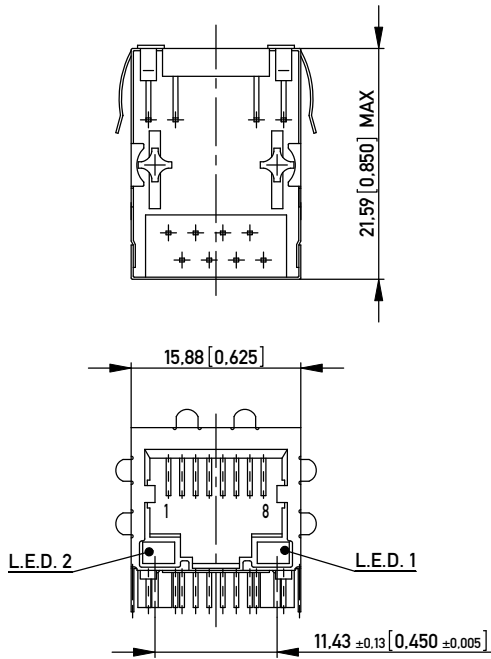
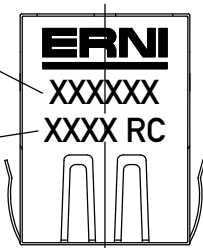


RECOMMENDED PANEL CUTOUT
EMPFOHLENER FRONTPLATTEN AUSSCHNITT



PART NO.
IDENT-NR.

DATE CODE
DATUMSCODE



- NOTE 1: MODULAR JACK WITH 10/100 BASE-TX MAGNETICS
NOTE 2: COMPATIBLE TO LEAD-FREE WAVE SOLDERING PROCESS
NOTE 3: SIDE SHIELD TABS IN REAR 3.05mm (R)
NOTE 4: PANEL GROUND FLANGES BOTH SIDES, TOP AND BOTTOM (GF5)
NOTE 5: RoHS COMPLIANT; PRINT "RC" WITH DATE CODE

MATERIALS AND FINISH

HOUSING: GLASS FILLED POLYESTER UL 94 V-0 BLACK
SHIELDING: Cu ALLOY, PLATED WITH Ni
CONTACTS: PHOSPHOR BRONZE
CONTACT FINISH: Au, 0.8 µm (30 µin) OVER Ni
TERMINAL FINISH: Sn MATTE
LED LENS: EPOXY

MECHANICAL CHARACTERISTICS

DURABILITY: 1000 MATING CYCLES

ELECTRICAL CHARACTERISTICS

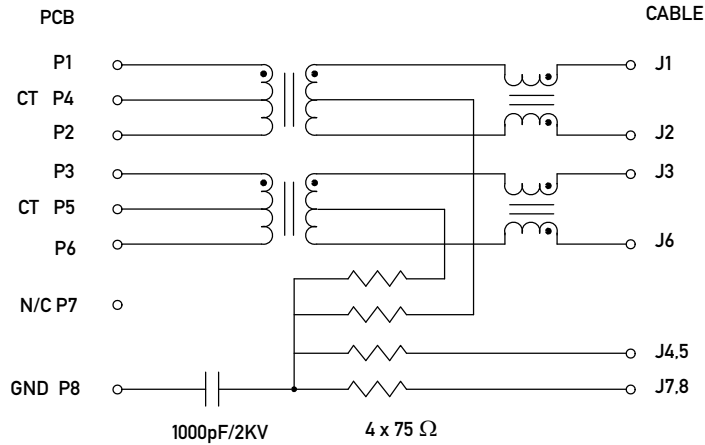
CONTACT RESISTANCE: 30 MILLIOHMS MAX
OPERATING TEMPERATURE: -40°C TO +85°C

PART NO. IDENT. NR.	LED 2 LEFT LED 2 LINKS	LED 1 RIGHT LED 1 RECHTS	LED CODE
203416	GREEN	YELLOW	L2
203520	YELLOW	GREEN	L1

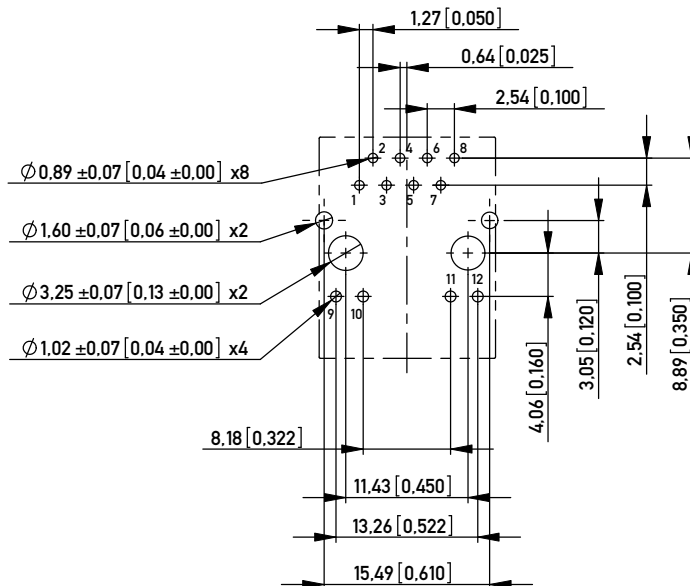
Information: SCHEMATIC NUMBER: H3D01	Tolerances ±0.2 if not specified	 All Dimensions in mm [in]	Scale 2:1
	Designation MOD JACK - MJIM 8C8T, 1x1, INT. Mag., LED ALIGNED		
All rights reserved. Only for Information. To ensure that this is the latest version of this drawing, please contact one of the ERNI companies before using.	Subject to modification without prior notice. Drawing will not be updated.	www.ERNI.com	203415
			Class MJIM
b Index	18.08.2010 Date	1 (1/2) A3	

Copyright by ERNI GmbH
Proprietary notice pursuant to ISO 16016 to be observed.

ELECTRICAL SCHEMATIC H3D01
ELEKTRISCHER SCHALTPLAN



RECOMMENDED PCB LAYOUT (COMPONENT SIDE VIEW)
EMPFOHLENES LEITERPLATTEN-LAYOUT (BESTÜCKUNGSSEITE)
TOL ±0.05 [0.002] UNLESS NOTED
SCALE: 2.5 : 1



LED SPECIFICATIONS
LED ANWEISUNG

MAGNETICS SPECIFICATIONS @ 25°C
AUTO MDIX COMPATIBLE
TURNS RATIO:
(P1-P2 : J1-J2) 1CT : 1±3%
(P3-P6 : J3-J6) 1CT : 1±3%
OCL(100 KHz, 0.1 Vrms, 8 mA)
(P1-P2 : P3-P6) 350µH MIN
DCR (P1-P2, P3-P6) 1.1 OHMS MAX
INSERTION LOSS:
0.1-100 MHz -1.1 dB MAX
RETURN LOSS:
0.5 - 30 MHz: -18 dB MIN
40 MHz: -15.5 dB MIN
50 MHz -13.6 dB MIN
60 - 80 MHz -12 dB MIN
CROSSTALK:
1-100 MHz -40 dB TYP
CMR:
0.1 - 30 MHz -50 dB TYP
30 - 60 MHz -40 dB TYP
60 - 100 MHz -35 dB TYP
ISOLATION 1500 Vrms

COLOR FARBE	V _f TYP	V _f MAX	I _f mA	CIRCUIT DIAGRAM SCHALTPLAN
YELLOW	2.1	2.5	20	
GREEN	2.2	2.5	20	
RED	2.25	2.5	20	
ORANGE/GREEN	2.05/2.2	2.5	20	

Copyright by ERNI GmbH Proprietary notice pursuant to ISO 16016 to be observed.	Information: SCHEMATIC NUMBER: H3D01	Tolerances ±0.2 if not specified	All Dimensions in mm [in]	Scale 2:1
	All rights reserved. Only for Information. To ensure that this is the latest version of this drawing, please contact one of the ERNI companies before using.	Subject to modification without prior notice. Drawing will not be updated.	Designation MOD JACK - MJIM 8C8T, 1x1, INT. MAG., LED ALIGNED	
b	18.08.2010		www.ERNI.com	203415
Index	Date	Class MJIM		1 (2/2) A3

X-ON Electronics

Largest Supplier of Electrical and Electronic Components

Click to view similar products for [Modular Connectors / Ethernet Connectors](#) category:

Click to view products by [ERNI](#) manufacturer:

Other Similar products are found below :

[8949-H88/06BLKA/SN](#) [74441-0010/BKN](#) [MP1010RX-1000](#) [MP44RX-1000](#) [PHJ-4P4C-1-V-4](#) [PHP-6P6C-5](#) [GAX-3-66](#) [GAX-8-62](#) [GDCX-PA-66-50](#) [GDCX-PN-64](#) [GDCX-PN-66](#) [GDCX-PN-66-50](#) [GDLX-A-66](#) [GDLX-N-66](#) [GDLX-S-66](#) [GDLX-S-88K](#) [GDLX-SMT-S-88](#) [GDTX-S-88-50](#) [GDX-PA-1010](#) [GLX-N-1010M-BLK](#) [GLX-S-88M-BLK](#) [GMX-N-1010](#) [GMX-S-1010](#) [GMX-S-66](#) [GMX-SMT4-N-88](#) [GPX-2-64](#) [GSGX-N-2-88](#) [GSGX-N-4-88](#) [GSX-NS2-88-3.05](#) [GSX-NS2-88-3.05-50](#) [GSX-NS-88-3.05-50](#) [PT-108A-8C-UL](#) [PT-J951-8C](#) [PTS-J531-8CS-50UL](#) [1-1775629-2](#) [A-2014-0-4](#) [GWLX-S-88-GR](#) [GWLX-S9-88-YG](#) [DC-1021-8-WH-6](#) [1300530003](#) [1324640-4](#) [RJ11FTVC2G](#) [RJ11FTVC2N](#) [RJFTVX2SA1G](#) [132764-001](#) [1413235](#) [MP88X-1000](#) [MPS88RX-5000](#) [E5288-S000K3-L](#) [E5908-15A242-L](#)