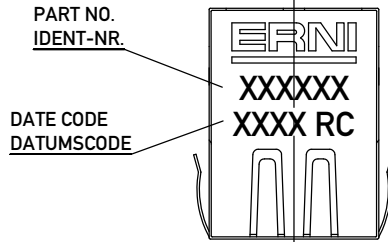
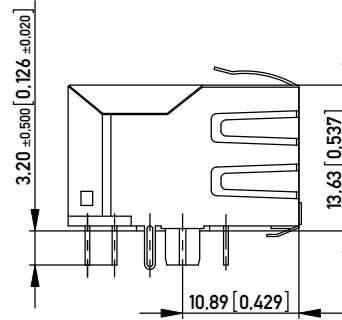
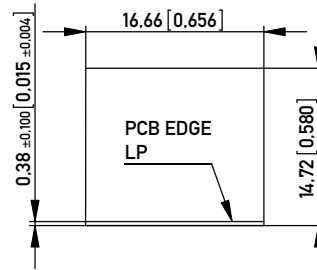
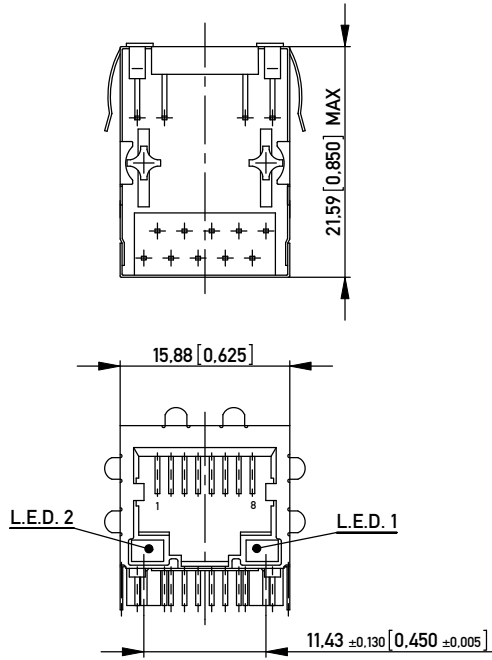


RECOMMENDED PANEL CUTOUT  
 EMPFOHLENER FRONTPLATTEN AUSSCHNITT



- NOTE 1: SIDE SHIELD TABS IN REAR 3.05mm (R)  
 NOTE 2: PANEL GROUND FLANGES BOTH SIDES, TOP AND BOTTOM (GF5)  
 NOTE 3: RoHS COMPLIANT; PRINT "RC" WITH DATE CODE

NO. IDENT. NR.	LED 2 LEFT LED 2 LINKS	LED 1 RIGHT LED 1 RECHTS	LED CODE
203475	YELLOW	GREEN	L1

MATERIALS AND FINISH

HOUSING: GLASS FILLED POLYESTER UL 94 V-0 BLACK  
 SHIELDING: Cu ALLOY, PLATED WITH Ni  
 CONTACTS: PHOSPHOR BRONZE  
 CONTACT FINISH: Au, 0.8 µm (30 µin), OVER Ni  
 TERMINAL FINISH: Sn MATTE  
 LED LENS: EPOXY

MECHANICAL CHARACTERISTICS

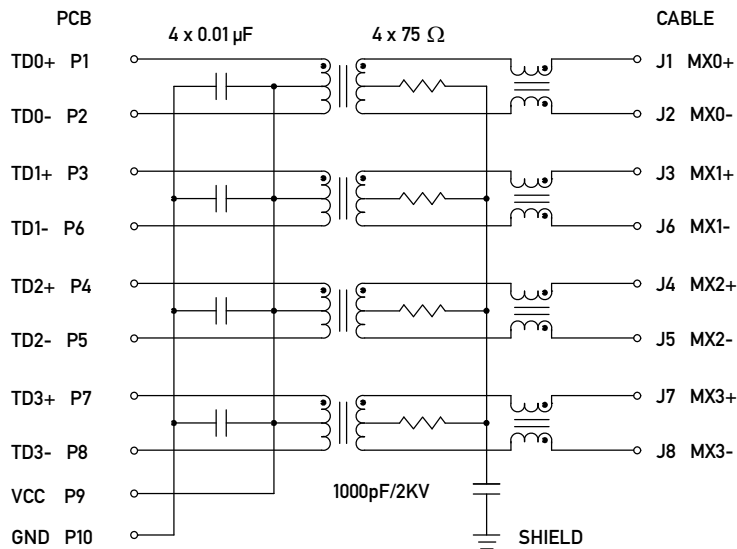
DURABILITY: 1000 MATING CYCLES

ELECTRICAL CHARACTERISTICS

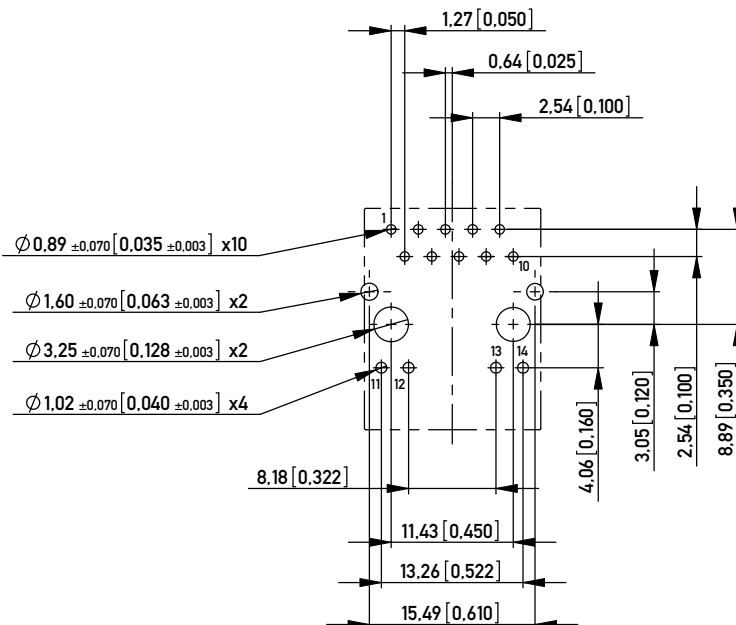
CONTACT RESISTANCE: 30 MILLIOHMS MAX  
 OPERATING TEMPERATURE: -40°C TO +85°C

Copyright by ERNI GmbH Proprietary notice pursuant to ISO 16016 to be observed.	Information: SCHEMATIC NUMBER: H5B02	Tolerances All Dimensions in mm [in]	Scale 2:1
	All rights reserved. Only for Information. To insure that this is the latest version of this drawing, please contact one of the ERNI companies before using.	Subject to modification without prior notice. Drawing will not be updated.	Designation <b>MOD JACK - MJIM</b> <b>8C10T, 1x1, INT. MAG., LED ALIGNED</b>
- Index	17.11.2006 Date	www.ERNI.com	203476 Class MJIM
			I (1/2) A3

ELECTRICAL SCHEMATICS 1000 BASE T - H5B02  
ELEKTRISCHER SCHALTPLAN



RECOMMENDED PCB LAYOUT (COMPONENT SIDE VIEW)  
EMPFOHLENES LEITERPLATTEN-LAYOUT (BESTUECKUNGSSEITE)  
TOL ±0.05 [0.002] UNLESS NOTED



LED SPECIFICATIONS  
LED ANWEISUNG

MAGNETICS SPECIFICATIONS @ 25°C

Turns Ratio:	1CT:1CT ±3%
OCL(100 KHz, 0.1 V, 8 mA)	350 µH MIN
Insertion Loss:	
1-100 MHz	-1.1 dB MAX
Return Loss:	
1-40 MHz	-18 dB MIN
60 MHz	-14 dB MIN
80 MHz	-12 dB MIN
100 MHz	-10 dB MIN
Crosstalk:	
1-100 MHz	-35 dB TYP
CMR:	
0.1-30 MHz	-50 dB TYP
30-60 MHz	-40 dB TYP
60-100 MHz	-35 dB TYP
Isolation	1500 Vrms

COLOR FARBE	V <sub>f</sub> TYP	V <sub>f</sub> MAX	I <sub>f</sub> mA	CIRCUIT DIAGRAM SCHALTPLAN
YELLOW	2.1	2.5	20	
GREEN	2.2	2.5	20	
ORANGE/GREEN	2.05/2.2	2.5	20	

Information: All rights reserved. Only for Information. To insure that this is the latest version of this drawing, please contact one of the ERNI companies before using.	Tolerances		Scale	2:1
	All Dimensions in mm [in]		Designation	MOD JACK - MJIM 8C10T, 1x1, INT. MAG., LED ALIGNED
Subject to modification without prior notice. Drawing will not be updated.	www.ERNI.com		203476	I (2/2) A3
	Class		MJIM	

Copyright by ERNI GmbH  
Proprietary notice pursuant to ISO 16016 to be observed.

## X-ON Electronics

Largest Supplier of Electrical and Electronic Components

*Click to view similar products for [Modular Connectors](#) / [Ethernet Connectors](#) category:*

*Click to view products by [ERNI](#) manufacturer:*

Other Similar products are found below :

[8949-H88/06BLKA/SN](#) [74441-0010/BKN](#) [MP1010RX-1000](#) [MP44RX-1000](#) [PHJ-4P4C-1-V-4](#) [PHP-6P6C-5](#) [GAX-3-66](#) [GAX-8-62](#) [GDCX-PA-66-50](#) [GDCX-PN-64](#) [GDCX-PN-66](#) [GDCX-PN-66-50](#) [GDLX-A-66](#) [GDLX-N-66](#) [GDLX-S-66](#) [GDLX-S-88K](#) [GDLX-SMT-S-88](#) [GDTX-S-88-50](#) [GDX-PA-1010](#) [GLX-N-1010M-BLK](#) [GLX-S-88M-BLK](#) [GMX-N-1010](#) [GMX-S-1010](#) [GMX-S-66](#) [GMX-SMT4-N-88](#) [GPX-2-64](#) [GSGX-N-2-88](#) [GSGX-N-4-88](#) [GSX-NS2-88-3.05](#) [GSX-NS2-88-3.05-50](#) [GSX-NS-88-3.05-50](#) [PT-108A-8C-UL](#) [PT-J951-8C](#) [PTS-J531-8CS-50UL](#) [1-1775629-2](#) [A-2014-0-4](#) [GWLX-S-88-GR](#) [GWLX-S9-88-YG](#) [DC-1021-8-WH-6](#) [1300530003](#) [1324640-4](#) [RJ11FTVC2G](#) [RJ11FTVC2N](#) [RJFTVX2SA1G](#) [132764-001](#) [1413235](#) [MP88X-1000](#) [MPS88RX-5000](#) [E5288-S000K3-L](#) [E5908-15A242-L](#)