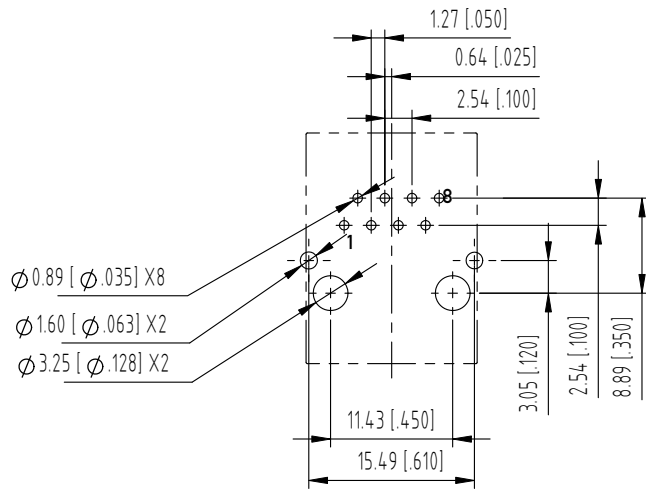
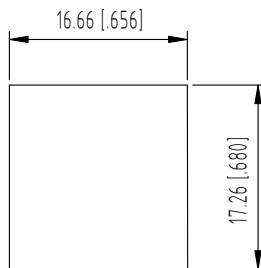


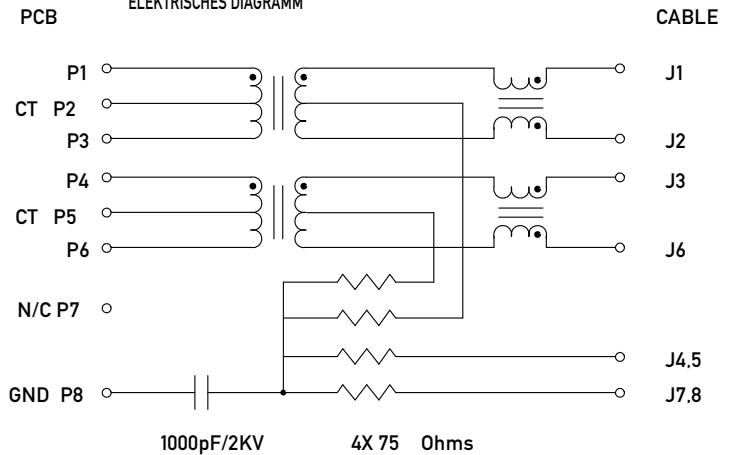
RECOMMENDED PCB LAYOUT (COMPONENT SIDE VIEW)
 EMPFOHLENER FUER LEITERPLATTE (BESTUECKUNGSSEITE)
 TOL ±0.05 [0.02] UNLESS NOTED



RECOMMENDED PANEL CUTOUT
 EMPFOHLENER FRONTPLATTEN AUSSCHNITT



ELECTRICAL SCHEMATIC - 10/100 BASE TX - H3D02
 EXTENDED TEMPERATURE RANGE
 ELEKTRISCHES DIAGRAMM



MAGNETICS SPECIFICATIONS @ 25°C

AUTO MDIX COMPATIBLE

URNS RATIO:

(P1-P3 : J1-J2) 1CT : 1 ±3%
 (P4-P6 : J3-J6) 1CT : 1 ±3%

OCL (100KHz, 0.1Vrms, 8mA)

(P1-P3 : P4-P6) 350µH MIN
 DCR (P1-P3, P4-P6) 1.1 OHMS MAX

INSERTION LOSS:

0.1 MHz - 100 MHz -1.1 dB MAX

RETURN LOSS:

0.5 MHz - 30 MHz -18 dB MIN
 40 MHz -15.5 dB MIN
 50 MHz -13.6 dB MIN
 60 MHz - 80 MHz -12 dB MIN
 CROSSTALK (0.1 MHz - 100 MHz): -40 dB TYP

COMMON MODE REJECTION

0.1 MHz - 30 MHz: -50 dB TYP
 30 MHz - 60 MHz: -40 dB TYP
 60 MHz - 100 MHz: -35 dB TYP

ISOLATION:

1500 Vrms

PART NO. IDENT. NR.	LED 2 LEFT LED 2 LINK	LED 1 RIGHT LED 1 RECHTE	LED CODE
203501	None	None	None

MATERIALS AND FINISH

(A)

HOUSING: GLASS FILLED POLYESTER UL 94 V-0 BLACK

SHIELDING: Cu ALLOY, PLATED WITH Ni

CONTACTS: PHOSPHOR BRONZE

CONTACT FINISH: Au, 0.8 µm (30 µin) OVER Ni

TERMINAL FINISH: Sn matte

MECHANICAL CHARACTERISTICS

DURABILITY: 1000 MATING CYCLES

ELECTRICAL CHARACTERISTICS

CONTACT RESISTANCE: 30 MILLIOHMS MAX

OPERATING TEMPERATURE: -40°C TO +85°C

Copyright by ERNI GmbH
 Proprietary notice pursuant to ISO 16016 to be observed.

Information:	Tolerances	Scale 2:1	
All rights reserved. Only for Information. To ensure that this is the latest version of this drawing, please contact one of the ERNI companies before using.	Subject to modification without prior notice. Drawing will not be updated.	Designation MOD JACK - MJIMV 1X1, 8C8T, VERTICAL, INT. MAG.	
B	24.06.2008	ERNI www.ERNI.com	203502
Index	Date	Class MJIM	I (1/1) A3

X-ON Electronics

Largest Supplier of Electrical and Electronic Components

Click to view similar products for [Modular Connectors](#) / [Ethernet Connectors](#) category:

Click to view products by [ERNI](#) manufacturer:

Other Similar products are found below :

[8949-H88/06BLKA/SN](#) [74441-0010/BKN](#) [MP1010RX-1000](#) [MP44RX-1000](#) [PHJ-4P4C-1-V-4](#) [PHP-6P6C-5](#) [GAX-3-66](#) [GAX-8-62](#) [GDCX-PA-66-50](#) [GDCX-PN-64](#) [GDCX-PN-66](#) [GDCX-PN-66-50](#) [GDLX-A-66](#) [GDLX-N-66](#) [GDLX-S-66](#) [GDLX-S-88K](#) [GDLX-SMT-S-88](#) [GDTX-S-88-50](#) [GDX-PA-1010](#) [GLX-N-1010M-BLK](#) [GLX-S-88M-BLK](#) [GMX-N-1010](#) [GMX-S-1010](#) [GMX-S-66](#) [GMX-SMT4-N-88](#) [GPX-2-64](#) [GSGX-N-2-88](#) [GSGX-N-4-88](#) [GSX-NS2-88-3.05](#) [GSX-NS2-88-3.05-50](#) [GSX-NS-88-3.05-50](#) [PT-108A-8C-UL](#) [PT-J951-8C](#) [PTS-J531-8CS-50UL](#) [1-1775629-2](#) [A-2014-0-4](#) [GWLX-S-88-GR](#) [GWLX-S9-88-YG](#) [DC-1021-8-WH-6](#) [1300530003](#) [1324640-4](#) [RJ11FTVC2G](#) [RJ11FTVC2N](#) [RJFTVX2SA1G](#) [132764-001](#) [1413235](#) [MP88X-1000](#) [MPS88RX-5000](#) [E5288-S000K3-L](#) [E5908-15A242-L](#)