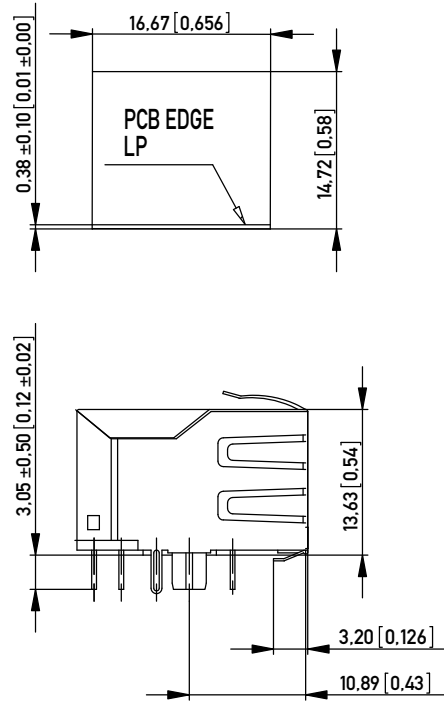
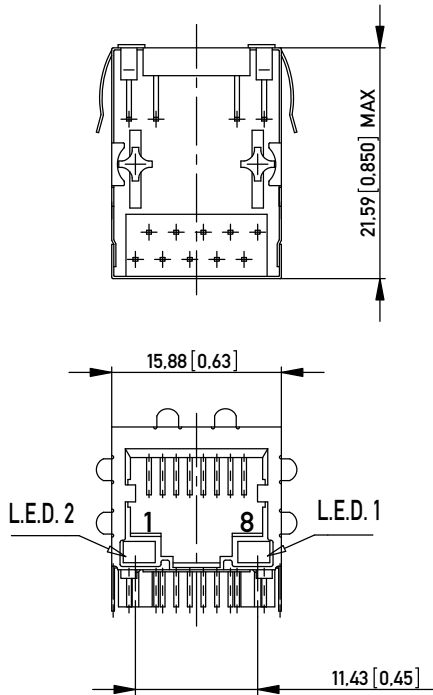


RECOMMENDED PANEL CUTOUT
EMPFOHLENER FRONTPLATTEN AUSSCHNITT



NOTE 1: SIDE SHIELD TABS IN REAR 3.05mm (R)

NOTE 2: PANEL GROUND FLANGES BOTH SIDES AND TOP (GF5)

NO. IDENT. NR.	LED 2 LEFT LED 2 LINKS	LED 1 RIGHT LED 1 RECHTS	LED CODE
203510	GREEN	YELLOW	L2

MATERIALS AND FINISH

HOUSING: GLASS FILLED POLYESTER UL 94 V-0 BLACK

SHIELDING: Cu ALLOY, PLATED WITH 40µin Ni

CONTACTS: PHOSPHOR BRONZE

CONTACT FINISH: Au, 0.8 µm (30 µin) OVER Ni

TERMINAL FINISH: Sn MATTE over Ni

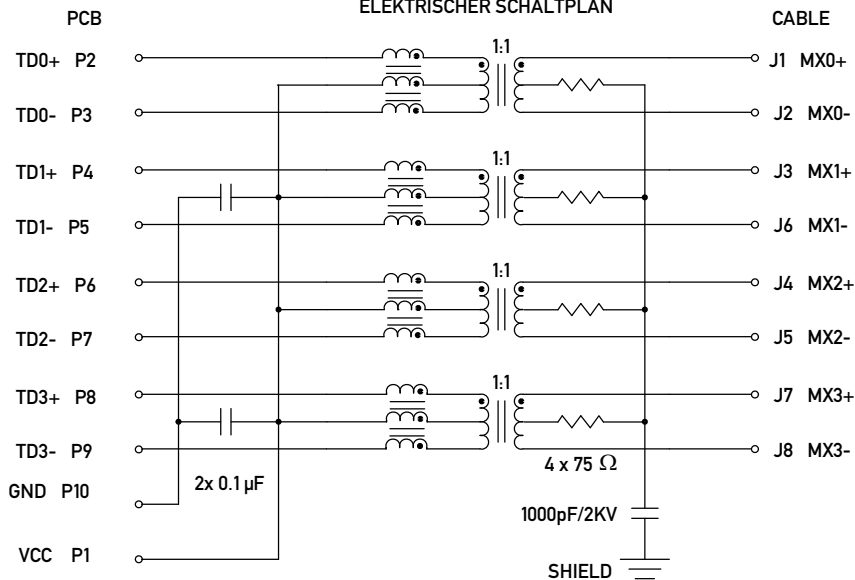
LED LENS: EPOXY

DURABILITY: 1000 MATING CYCLES

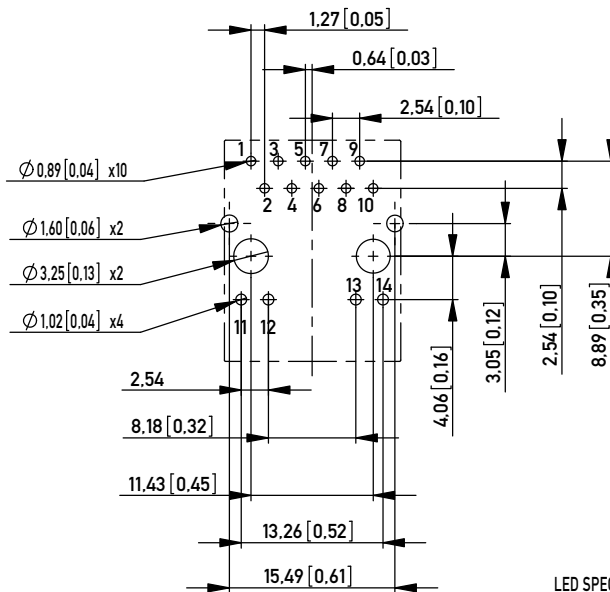
OPERATING TEMPERATURE: -40° to +85°C

Copyright by ERNI GmbH Proprietary notice pursuant to ISO 16116 to be observed.	Information:	Tolerances +/- 0.2mm.	All Dimensions in mm	Scale 2:1
	All rights reserved. Only for Information. To ensure that this is the latest version of this drawing, please contact one of the ERNI companies before using.	Subject to modification without prior notice. Drawing will not be updated.	Designation MOD Jack - MJIM 8C10T.1x1. INTEGRATED MAGNETICS	
a Index	04.09.2012 Date	www.ERNI.com	203511	
			Class	MJIM
			1 (1/2) A3	

ELECTRICAL SCHEMATIC H5105
ELEKTRISCHER SCHALTPLAN



RECOMMENDED PCB LAYOUT (COMPONENT SIDE VIEW)
EMPFOHLENES LEITERPLATTEN-LAYOUT (BESTÜCKUNGSSEITE)



LED SPECIFICATIONS
LED ANWEISUNG

ELECTRICAL SPECIFICATIONS @ 25°C

<p> TURNS RATIO OCL (100 KHz, 0.1 V, 8 mA) INSERTION LOSS 1-100 MHz RETURN LOSS 1-40 MHz 60 MHz 80 MHz 100 MHz CROSSTALK 1-100 MHz CMR 1-30 MHz 30-60 MHz 60-100 MHz ISOLATION </p>	<p> 1CT:1CT ± 3% 350 µH MIN -1.1 dB MAX -18 dB MIN -14 dB MIN -12 dB MIN -10 dB MIN -35 dB TYP -38 dB TYP -35 dB TYP -30 dB TYP 1.500 Vrms </p>
---	--

COLOR FARBE	V _f TYP	V _f MAX	I _f mA	CIRCUIT DIAGRAM SCHALTPLAN
YELLOW	2.1	2.5	20	
GREEN	2.2	2.5	20	

<p>Information:</p> <p>All rights reserved. Only for Information. To ensure that this is the latest version of this drawing, please contact one of the ERNI companies before using.</p>	<p>Tolerances</p> <p>+/- 0.2mm</p> <p>All Dimensions in mm</p>	<p>Scale 2:1</p>	<p>Designation</p> <p>Mod-Jack - MJIM</p> <p>8C10T. INTEGRATED MAGNETICS</p>	<p>1 (2/2)</p> <p>A3</p>

X-ON Electronics

Largest Supplier of Electrical and Electronic Components

Click to view similar products for [Modular Connectors](#) / [Ethernet Connectors](#) category:

Click to view products by [ERNI](#) manufacturer:

Other Similar products are found below :

[8949-H88/06BLKA/SN](#) [74441-0010/BKN](#) [MP1010RX-1000](#) [MP44RX-1000](#) [PHJ-4P4C-1-V-4](#) [PHP-6P6C-5](#) [GAX-3-66](#) [GAX-8-62](#) [GDCX-PA-66-50](#) [GDCX-PN-64](#) [GDCX-PN-66](#) [GDCX-PN-66-50](#) [GDLX-A-66](#) [GDLX-N-66](#) [GDLX-S-66](#) [GDLX-S-88K](#) [GDTX-S-88-50](#) [GDX-PA-1010](#) [GLX-N-1010M-BLK](#) [GLX-S-88M-BLK](#) [GMX-N-1010](#) [GMX-S-1010](#) [GMX-S-66](#) [GMX-SMT4-N-88](#) [GPX-2-64](#) [GSGX-N-2-88](#) [GSGX-N-4-88](#) [GSX-NS2-88-3.05](#) [GSX-NS2-88-3.05-50](#) [GSX-NS-88-3.05-50](#) [PT-108A-8C-UL](#) [PT-J951-8C](#) [PTS-J531-8CS-50UL](#) [1-1775629-2](#) [A-2014-0-4](#) [GWLX-S-88-GR](#) [GWLX-S9-88-YG](#) [DC-1021-8-WH-6](#) [1300530003](#) [1324640-4](#) [RJ11FTVC2G](#) [RJ11FTVC2N](#) [RJFTVX2SA1G](#) [132764-001](#) [1413235](#) [MP88X-1000](#) [MPS88RX-5000](#) [E5288-S000K3-L](#) [E5908-15A242-L](#) [155302-001](#)