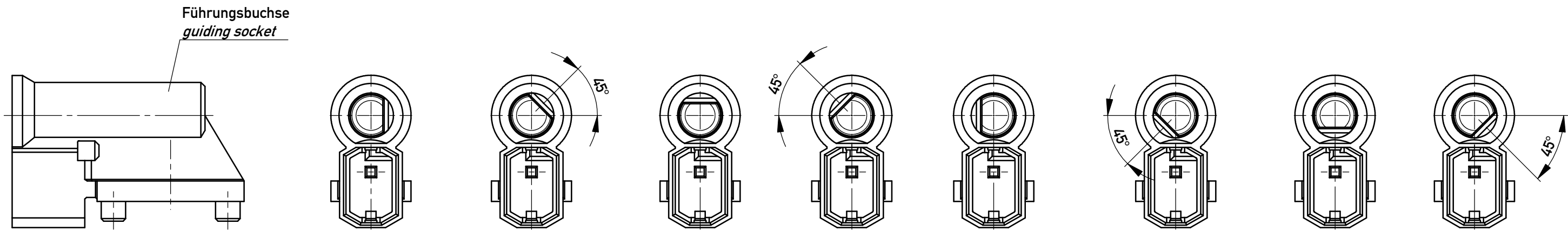
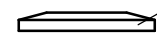


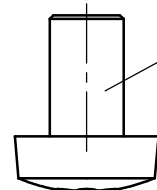
Board Thickness 3.0 - 4.5 mm	244635	244636	244637	244638	244639	244640	244641	244642
Board Thickness 1.5 - 3.0 mm	204397	204398	204399	204400	204401	204402	204403	204404



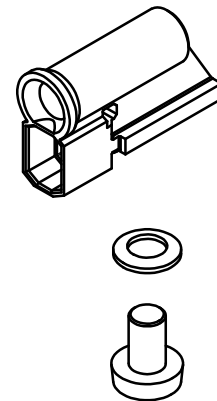
Schnorr Scheibe S5 rostfrei
"Schnorr" washer



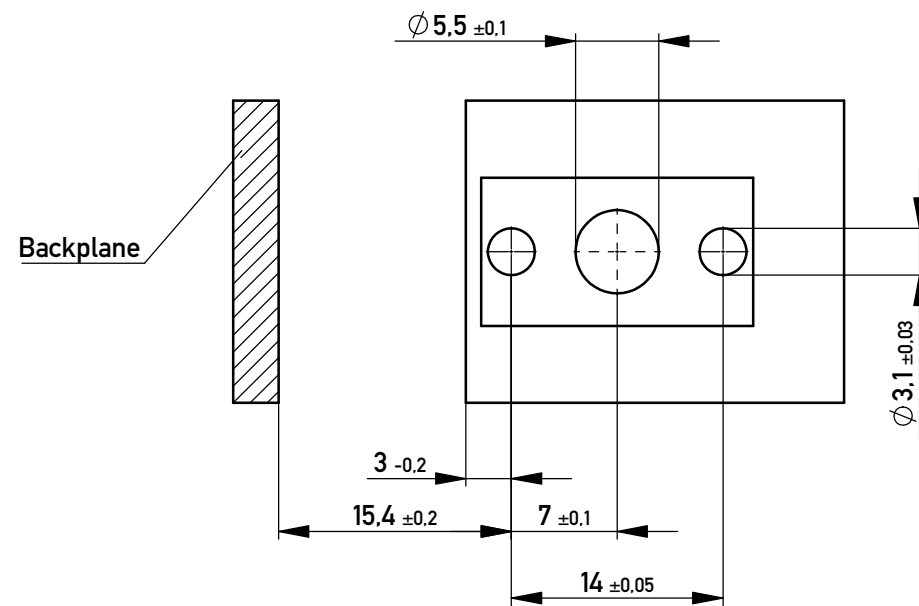
Linsenschraube mit Torx ISO 7380-M5xL
button head socket screw



M 1:1 / scale 1:1
(244635)



Layout der Tochterkarte
Layout of daughtercard



Bausatz in Polybeutel verpackt
kit in plastic bag

244642	8 Board thickness 3,0 - 4,5 mm
244641	
244640	
244639	
244638	
244637	
244636	6 Board thickness 1,5 - 3,0 mm
244635	
204404	
204403	
204402	
204401	
204400	Schraubenlänge L / Lengh of screw
204399	
204398	
204397	Ident-Nr. Bausatz / Id. no. kit

Information:		Tolerances	All Dimensions in mm	Scale	2:1
All rights reserved. Only for Information. To ensure that this is the latest version of this drawing, please contact one of the ERNI companies before using.		Subject to modification without prior notice. Drawing will not be updated.		Designation	
		www.ERNI.com		Führungsteil, Bausatz Guiding System ERmet, kit	
c	14.03.2017			204396	
Index	Date			1 A3	
				Class	ERMBGR

Copyright by ERNI Production GmbH & Co. KG
Proprietary notice pursuant to ISO 16016 to be observed.

X-ON Electronics

Largest Supplier of Electrical and Electronic Components

Click to view similar products for [Board to Board & Mezzanine Connectors](#) category:

Click to view products by [ERNI](#) manufacturer:

Other Similar products are found below :

[589158040000018](#) [MDF7C-18P-2.54DSA\(55\)](#) [FCN-230C068-11](#) [FCN-268F012-G/BD](#) [FCN-268F036-G/BD](#) [FCN-268M012-G/0D](#) [FCN-268M024-G/1D](#) [FCN-723J004/1](#) [MIS-048-01-F-D-DP-K](#) [832-10-034-10-001000](#) [FX4C-80S-1.27DSA](#) [FCN-214Q030-G/0](#) [FCN-234P048-G/0](#) [FCN-235D050-G/C](#) [210-93-314-41-105000](#) [2-22603-0](#) [MDF7-40DP-2.54DSA\(55\)](#) [AXG720047](#) [5031084030](#) [MIT-114-03-F-D-K](#) [55323-1519](#) [DF33-2P-3.3DSA\(24\)](#) [YFT-20-05-H-03-SB-K](#) [503308-3040](#) [026-6203-PDB](#) [027-6203-PDB](#) [069159702701000](#) [10123981-102LF](#) [101A10019X](#) [55650-0588-C](#) [68684-306](#) [75140-7012](#) [589159005003045](#) [194261-1](#) [FCN-268F024-G0D](#) [10124054-515LF](#) [68685-603](#) [8-1616154-3](#) [MIS-019-01-F-D](#) [589159005002045](#) [541371078](#) [IL-WX-10PB-HF-B-E1000E](#) [FCN-268M024-G/3D](#) [20021832-06016C1LF](#) [KX15-20KLDL-E1000E](#) [MDF7-16DP-2.54DSA\(55\)](#) [AXE810124](#) [FCN-214J100-G/0](#) [FCN-230C068-E/S](#) [AXE812124](#)