



D-Sub Connectors

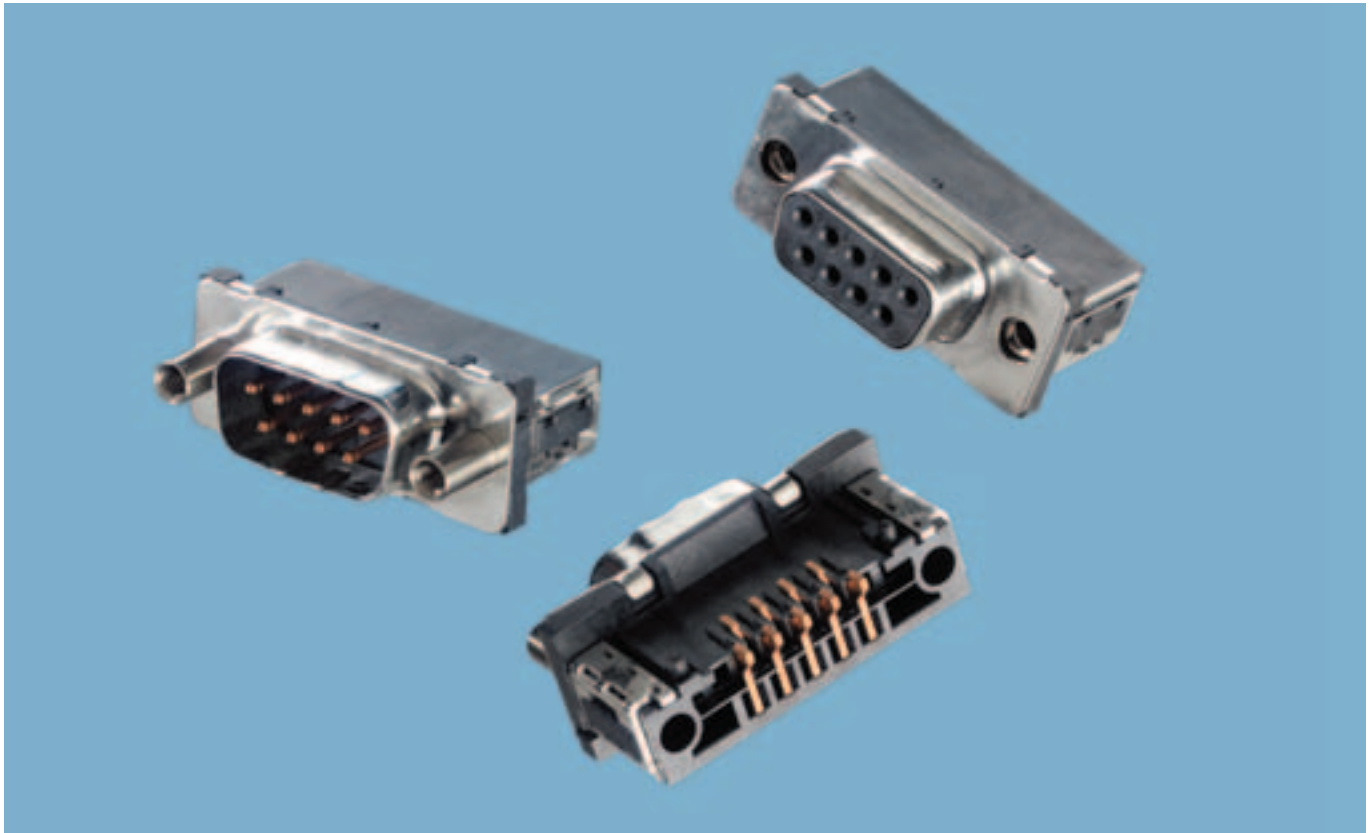


D-Sub Connectors

Table of Contents



General	.2
Available Designs	.3
Mating and Installation Conditions	.4
Signal Connectors with ERNIPRESS® Technology	.5
Cable Versions	.6
Special Contact Versions	.7
Accessories for PCB Versions	.8
Connector Cable Housings Short Overview	.9
Electrical and Mechanical Characteristics	.10
Right Angle Female	.16
Right Angle Female High Current Stamped Contacts	.37
Right Angle Female High Current Machined Contacts	.44
Right Angle Male	.47
Right Angle Male High Current Stamped Contacts	.68
Right Angle Male High Current Machined Contacts	.77
Vertical Female	.80
Vertical Female High Current	.109
Vertical Male	.114
Vertical Male High Current	.143
Female and Male Connectors with Solder Cups	.151
Female and Male Connectors for Flat Ribbon Cables	.154
Female and Male Connectors for Discrete Wire IDC	.156
Female and Male Connectors for Crimp Snap-in Technique	.158
Housings for Female High Current Contacts	.161
Housings for Male High Current Contacts	.164
Part number Index	.167



- Designed according to IEC 807-3 (DIN 41 652) and Mil-C-24308
- D-Sub connectors are worldwide known as standardized I/O interfaces for several applications e.g. serial bus connection for RS232, RS485 used for Profibus, CanBus and others.
- Indirect mating system
- International approvals such as UL and CSA available
- Integrated accessories
- 3 different connector types available: vertical, angled and cable connectors

Approvals: UL E 84703, CSA LR 62503 and LR 62504

UL = Underwriters Laboratories Inc.

CSA = Canadian Standards Association

Cable connector versions:

- Wire-wrap technology
- Solder cup type for hand soldering
- Crimp Snap-In (CSI) technique
- IDC (Insulation Displacement Connection) for flat ribbon cables or flat/round cables
- IDC / crimp technique for discrete wires

ESD and EMI features:

The metal connector shells are completely plated and the male shells have several contact points for a conductive and low resistance connection between male and female shell. The contact points are realized without having any apertures around the shell.

Available termination technologies:

PCB connector versions:

- THT (Through Hole Technology) for standard wave soldering
- ERNIPRESS Technology (solderless pressfit connection)
- THR (Through Hole Reflow) Technology for standard wave and reflow soldering (convection or vapour phase oven)
- SMT (Surface Mount Technology) for reflow soldering (convection or vapour phase oven)

D-Sub Connectors

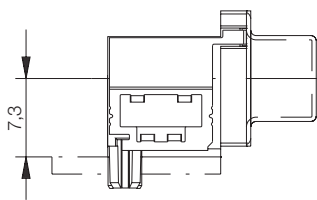
Available Designs



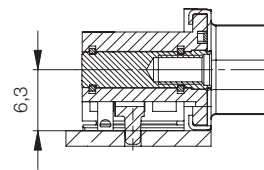
In principal there are three main different designs available. PCB connectors as angled or vertical versions and cable connectors for cable assemblies (used with cable housings). For each design there are also different styles designed according customer needs. A key requirement for PCB connectors is the assembly height. For the cable connectors the termination technique is essential for the "design in" decision.

PCB Angled Versions

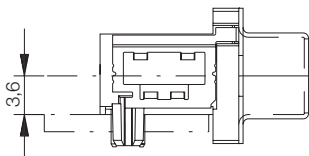
Standard assembly height 7.3 mm according to IEC 807-3 (DIN 41 652)



Standard assembly height 6.3 mm (called US-Style) according to IEC 807-3 (DIN 41 652)

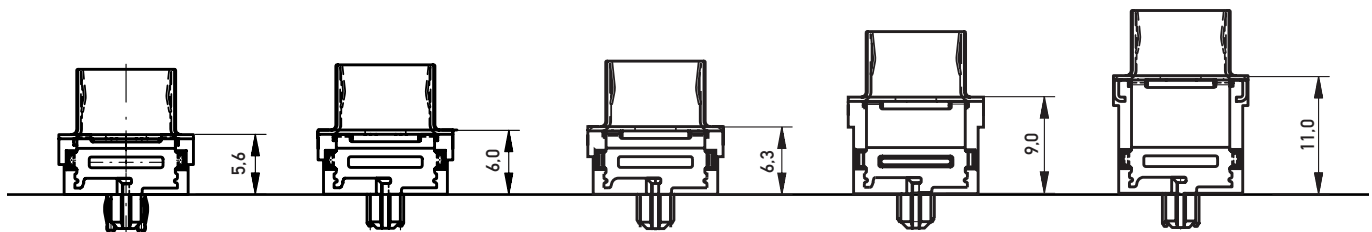


Standard assembly height 3.6 mm (called Eurostyle) according to IEC 807-3 (DIN 41 652)



PCB Vertical Versions

ERNI provides various assembly heights within and in addition to the IEC-standard.



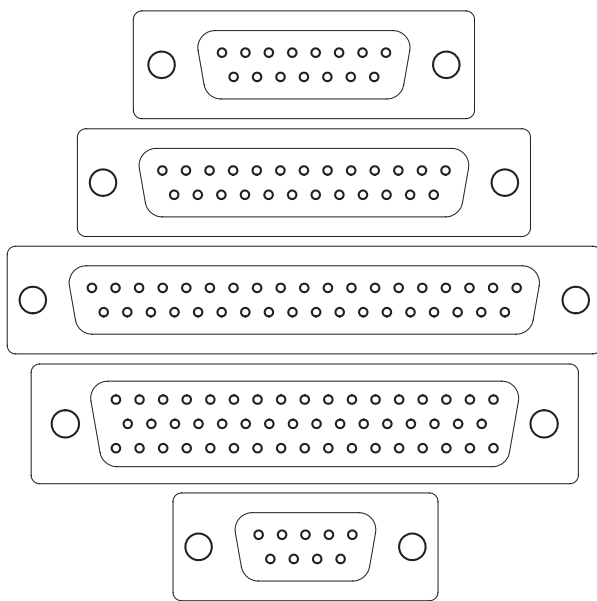
Cable Connector Versions

D-Sub Connectors

Mating and Installation Conditions

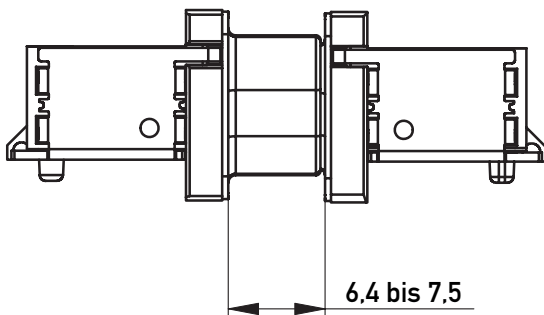


Mating Face of D-Sub Connectors

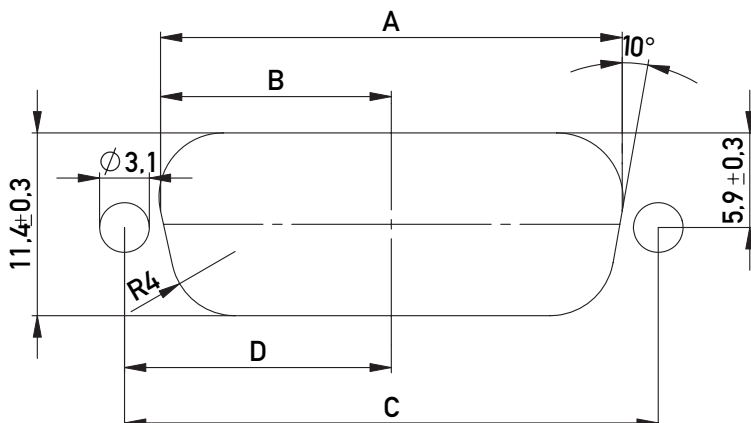


Standard Density	High Density (not shown)
DA Shell 15 position	HD DA Shell 26 position
DB Shell 25 position	HD DB Shell 44 position
DC Shell 37 position	HD DC Shell 62 position
DD Shell 50 position	
DE Shell 9 position	HD DE Shell 15 position

Mating Condition



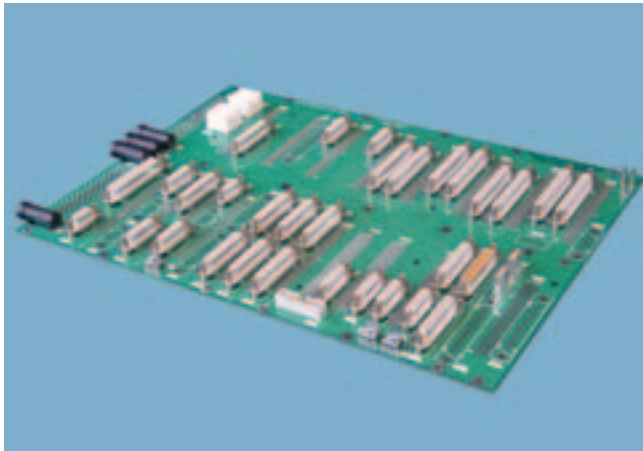
Panel Mount Recommendations



Pohlzahl	A +0.2	B +0.2	C ±0.1	D ±0.1
9	20.5	10.25	25.0	12.5
15	28.8	14.4	33.3	16.65
25	42.5	21.25	47.0	23.5
37	59.1	29.55	63.5	31.75

D-Sub Connectors

Signal Connectors with ERNIPRESS® Technology



Features

- Following shell sizes are supported 9, 15, 25 and 37 pins
- ERNIPRESS solderless pressfit technology permits cost effective and reliable connecting of connectors and printed circuit boards
- Elastic standard pressfit zone (EE) and eye of the needle zone (EN). Elastic pressfit zones prevent high forces from the PCB hole respectively material. There is no damaging of the copper layer or delamination of multi layers.
- Gas-tight, corrosion proof and robust mechanical and electrical connection
- No solder failures, no flux problems, no clean process, no thermal stress in case of having pure pressfit pcbs
- Easy handling low cost press-in tooling
- Allows two side assembly of connectors
- Accessories integrated into the connector
- International approvals such as UL and CSA available

PCB requirements for ERNIPRESS® Technology

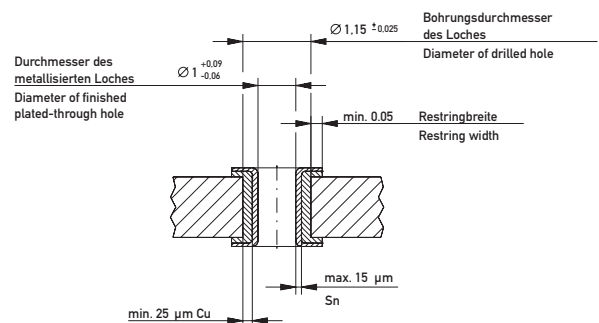
- Hole specification is essential and have to be acc. to DIN 41611 as well as to DIN IEC 352
 - Also for long-term stable pressfit connection, the PCB have to meet a min. quality level
 - Base material UL approved, Hgw 2372.1 to DIN 7735, FR 4
 - Drill hole and PTH diameter tolerances
 - Quality of the hole surface in terms of roughness
 - Plating thickness tolerances
 - Hole position tolerances
 - Minimal restring width of 0.1 mm
- Measurement of insertion and retention forces for quality assurance
 - Typical values for retention forces with an EE Zone are between 40 - 70 N per contact

For more details test reports are available on request.

ERNIPRESS® Advantages

- Contact is made in the copper-layer, not in the tin-layer of the PCB
- The high elasticity is able to compensate large hole tolerances or dimension changes over life time
- The pressfit zone design ensures a high edge pressure on the copper layer of the PCB hole resulting in a gas-tight connection

For detailed hole specification refer to ERNI drawing 164062.



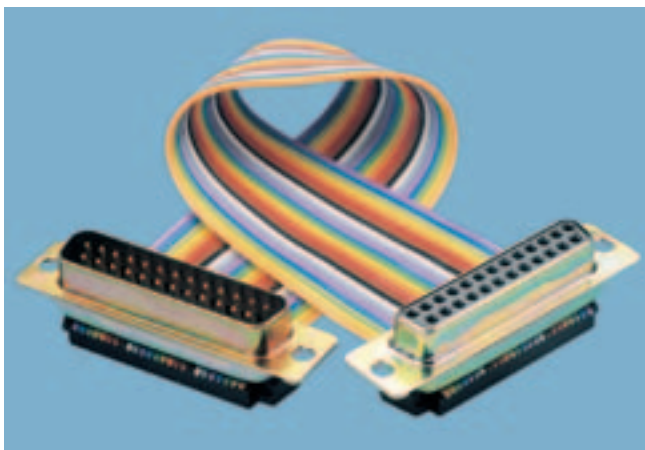
D-Sub Connectors

Cable Versions



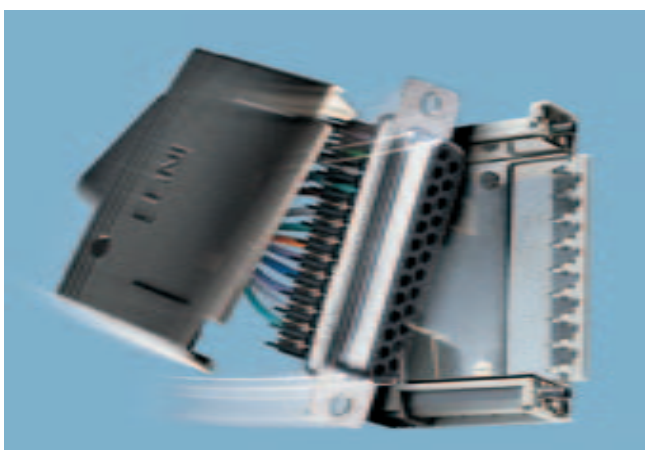
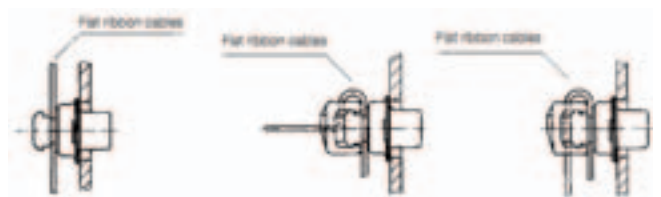
Crimp Snap-in (CSI) Technology

- ERNI supplies CSI versions for sizes 9, 15, 25 and 37 pin
- CSI contacts are available for different wire cross sections
- CSI contacts are available in various packaging units depending on the used crimping tools or required assembly process. Please see ordering information
- ERNI provides several crimping tools
- Individual contact assignment or partially loading of contacts are possible
- Intermatable with competitor products
- Suitable for the different ERNI cable housings KSG 183, KSG 185 and KSG 200, see separate catalog
- Wide range of accessories on request (MOQ required)
 - Integral riveting nuts for rear front plate fixation
 - Threaded bolts with internal thread for front assembly
- Special housing locking variantes see cable housing catalog



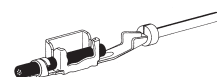
IDC Flat Cable Connection

- ERNI supplies IDC versions for sizes 9, 15, 25 and 37 pin
- Contacting of all (max. 37) conductors in one assembly step
- No dismanteling of cables
- Suitable for standard flat cables with a pitch of 1.27 mm
- Optional with standard accessories (panel mount versions)
- Suitable for the different ERNI cable housings (KSG 183, KSG 185 and KSG 200)
- Optional strain relief bracket enables cable direction 90° and 180°



IDC Discrete Wire Connection

- ERNI supplies versions for sizes 9, 15, 25 and 37 pin
- Easy and quick termination of discrete wires via Insulation Displacement Connection (IDC) and insulation crimp technique
- Accepts stranded or solid wires 22 AWG - 26 AWG
- The tooling (hand or semi-automatic) provides high speed wire attachment and allows also partially loading of contacts
- Contacts are removable and replaceable
- Suitable for cable connector housing series KSG 200 with high EMI and ESD protection



D-Sub Connectors

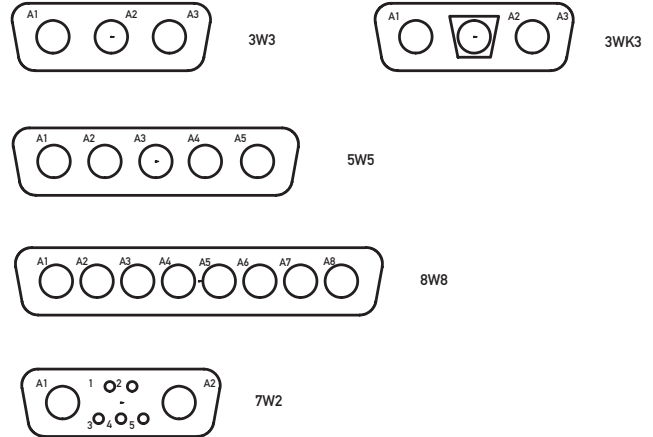
Special Contact Versions



Connectors With High Current Contacts

- 3W3 and 3WK3, shell size DA
- 5W5, shell size DB
- 8W8, shell size DC
- 7W2, shell size DA

- Cost saving ERNIPRESS® technology for integrated pressfit backplanes, no soldering process is needed, no thermal stress on the PCB, gas-tight, corrosion-proof and robust connection
- Pressfit has a low failure rate only wire wrap technology is better
- New generation with stamped high current contacts
- Several machined contacts for crimping, soldering and pressfit
- Suitable for cable connector housing series KSG 183, KSG 185 and KSG 200, see separate catalog
- Partial loadings of power and signal contacts



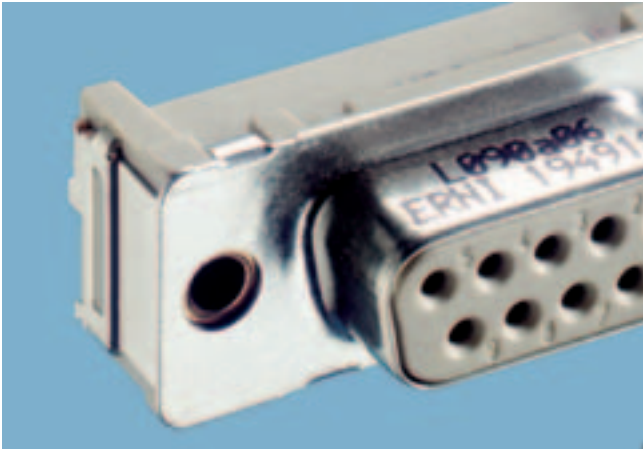
Connectors With Coaxial Contacts

The connector housings for high current contacts can be also used for loading with according coax contacts. The coax contact accepts the same contact cavity.

- Several machined contacts for crimping and soldering
- Suitable for cable connector housing series KSG 183, KSG 185 and KSG 200, see separate catalog

D-Sub Connectors

Accessories for PCB Versions



Threaded nut

- M3, 4#40 UNC thread, integrated in connector front shell
- Torque protected against impact from housing screws or bolts
- Rear panel mounting application in conjunction with threaded bolts or standard screws
- Threaded bolts available as spare parts



Threaded bolt

- M3, 4#40 UNC thread
- Necessary for screw locking of cable housings
- Integrated in connector with torque protection against impact from housing screws or bolts
- Bolts with circular contour, no manipulation with tools possible



Screw fixation on PCB

- Available for pressfit and THR versions
- High retention force regarding handling in conjunction with cable housings
- No assembly force is needed; in conjunction with THR soldering there is also solder joint
- For EMI and ESD protection the bolts have low resistance connection to the front shell and shielded cable housing
- THR version should be screwed on before soldering



Retention and ground clip for fixation on PCB

- Available for pressfit and THR versions
- Handling forces will be absorbed
- THR versions with/without assembly force
- For EMI and ESD protection the clips have low resistance connection to the front shell and shielded cable housing

D-Sub Connectors

Connector Cable Housings Short Overview



ERNI is offering a broad range of different housings for D-Sub connectors. Those are split in several series:

KSG 183

- Available for D-Sub 9, 15, 25 and 37 pin versions
- Unshielded economic solution
- Special design for space saving "Snap-In" interlocking
- Max. three cable outlets possible with secure strain relief
- Suitable for front assembly and rear assembly of D-Sub connectors
- Suitable also for cable to cable connections

KSG 185

- Available for D-Sub 9, 15, 25 and 37 pin versions
- Housing for screw and / or "Snap-In" interlocking
- Unshielded economic solution and shielded version
- Integrated coding system
- Max. two cable outlets possible with secure strain relief
- Suitable also for cable to cable connections

KSG 200

- Available for D-Sub 9, 15, 25 and 37 pin versions
- Delivered as spare parts or as complete part kit including locking screws
- High shield attenuation 66db at 100 MHz
- Shielded and unshielded versions
- Secure strain relief
- Two housing parts with easy "Snap-In" assembly

For more details and ordering information see separate cable housing catalog.



	Standard	SMT, THR Male- and Female		Pressfit Male- and Female		
Number of pins		9, 15, 25 and 37		9, 15, 25 and 37		
Technical Data						
Climate category	DIN EN 60068-1 test b	-55/125/56		-55/125/56		
Temperature range		-55/125 °C		-55/125 °C		
Current rating per contact	IEC60512 test 5b	9pin	20 °C 5.7 A	70 °C 3.7 A	100 °C 2.6 A	
		15pin	4.8 A	3.5 A	2.3 A	
		25pin	4.4 A	3.3 A	2.1 A	
		37pin	3.9 A	2.8 A	1.8 A	
Air- and creepage distance		1.2 mm		1.2 mm		
Operating voltage	IEC 60664	<p>The permissible operating voltages depend on the customer application and on the applicable or specified safety requirements. Insulation coordination according to IEC 60664-1 has to be regarded for the complete electrical device. Therefore, the maximum creepage and clearance distances of the mated connectors are specified for consideration as a part of the whole current path.</p> <p>In practice, reductions in creepage or clearance distances may occur due to the conductive pattern of the printed board or the wiring used, and have to be taken into account separately.</p> <p>As a result the creepage and clearance distances for the application may be reduced compared to those of the connector.</p>				
Dielectric strength	IEC 60512 test 4a	contact - contact 1000 V _{rms} contact - ground 1200 V _{rms}		contact - contact 1000 V _{rms} contact - ground 1200 V _{rms}		
Contact resistance	IEC 60512 test 2a	< 25 mΩ		< 25 mΩ		
Insulation resistance	IEC 60512 test 3a	> 5x10 ⁹ Ω		> 5x10 ⁹ Ω		
Vibration, sine	IEC 60512 test 6d	10 – 2000 Hz 20 g		10 – 2000 Hz 20 g		
Contact disturbance (while vibration test)	IEC 60512 test 2e	< 1 μs		< 1 μs		
Shock, halfsine	IEC 60512 test 6c	50 g 11 ms		50 g 11 ms		
Contact disturbance (while shock test)	IEC 60512 test 2e	< 1 μs		< 1 μs		
Mechanical operation (mating cycles)	IEC 60512 test 9a	> 250 mating cycles		> 250 mating cycles		
Insertion and withdrawal force	IEC 60512 test 13b		Insertion force		Withdrawal force	
			max.		min. max.	
		9pin	30 N		3.3 N 20 N	
		15pin	50 N		4.5 N 50 N	
		25pin	83 N		7.8 N 56 N	
		37pin	123 N		11.0 N 82 N	
Gauge retention force	IEC 60512 test 16e	> 0.2 N		> 0.2 N		

D-Sub Connectors

Electrical and Mechanical Characteristics



	Standard	SMT, THR Male- and Female	Pressfit Male- and Female
Number of pins		9, 15, 25 and 37	9, 15, 25 and 37
Process-conditions			
Soldering temperature max.	IEC 68-2-20		
Hand soldering temperature max.		3.5 s at 350 °C	-
Dip soldering temperature max.		10 s at 260 °C	-
Reflow soldering temperature max.	JEDEC J-STD-020C	20 - 40 s at 260 °C	-
Coplanarity		< 0.1 mm (SMT)	-
Warning		-	Soldering of pressfit connectors not to be recommended.
Housing Material			
Housing: Plastic material		LCP	PBT
CTI value	IEC 112	CTI 175	CTI 200
UL flame rating		UL 94 V-0	UL 94 V-0
UL file (material)		E83005	E47960
Contact Material			
Base material		Cu alloy	Cu alloy
Mating area		gold plated	gold plated
Termination area		Sn	Sn
Metal Shell Material			
Base material		St	St
Plating		Sn	Sn
Metal Bracket Material			
Base material		Cu alloy	Cu alloy
Plating		Sn	Sn
Environment Compatibility			
Recycling		no flame-retardent additives, no toxic additives allow easy recycling	
Product-approval			
UL		E84703	E84703



	Standard	High Current Male- and Female Connectors SMT / THR / Solder stamped / machined contacts	High Current Male- and Female Connectors Pressfit stamped / machined contacts
Pin configurations		3W3, 3WK3, 5W5, 8W8, 7W2	3W3, 3WK3, 5W5, 8W8, 7W2
Technical Data			
Climate Category	DIN EN 60068-1 test b	-55/125/56	-55/125/56
Temperature range		-55/125°C	-55/125°C
Current rating per contact	IEC 60512 test 5b	See derating curves.	
Air- and creepage distance		1.0 mm	1.0 mm
Operating voltage	IEC 60664	The permissible operating voltages depend on the customer application and on the applicable or specified safety requirements. Insulation coordination according to IEC 60664-1 has to be regarded for the complete electrical device. Therefore, the maximum creepage and clearance distances of the mated connectors are specified for consideration as a part of the whole current path. In practice, reductions in creepage or clearance distances may occur due to the conductive pattern of the printed board or the wiring used, and have to be taken into account separately. As a result the creepage and clearance distances for the application may be reduced compared to those of the connector.	
Dielectric strength	IEC 60512 test 4a	contact - contact 1000 V contact - ground 1000 V	contact - contact 1000 V contact - ground 1000 V
Contact resistance	IEC 60512 test 2a	Signal contacts < 25 mΩ Power contacts < 1 mΩ	Signal contacts < 25 mΩ Power contacts < 1 mΩ
Insulation resistance	IEC 60512 test 3a	> 5x10 ⁹ Ω	> 5x10 ⁹ Ω
Vibration, sine	IEC 60512 test 6d	10 - 2000 Hz 20 g	10 - 2000 Hz 20 g
Contact disturbance (while vibration test)	IEC 60512 test 2e	< 1 μs	< 1 μs
Shock, halfsine	IEC 60512 test 6c	50 g 11 ms	50 g 11 ms
Contact disturbance (while shock test)	IEC 60512 test 2e	< 1 μs	< 1 μs
Mechanical operation (mating cycles)	IEC 60512 test 9a	> 250 / 400 mating cycles	> 250 / 400 mating cycles
Insertion and withdrawal force	IEC 60512 test 13b	< 30 N / 10 N max. per contact	< 30 N / 10 N max. per contact
Gauge retention force	IEC 60512 test 16e	Signal contacts 0.2 N min. Power contacts 1.6 N min.	Signal contacts 0.2 N min. Power contacts 1.6 N min.

D-Sub Connectors

Electrical and Mechanical Characteristics



	Standard	High Current Male- and Female Connectors SMT / THR / Solder stamped / machined contacts	High Current Male- and Female Connectors Pressfit stamped / machined contacts
Pin configurations		3W3, 3WK3, 5W5, 8W8, 7W2	3W3, 3WK3, 5W5, 8W8, 7W2
Process-conditions			
Solder temperature max.	IEC 68-2-20		
Hand soldering temperature max.		3.5 s at 350°C	-
Dip soldering temperature max.		10 s at 260°C	-
Reflow soldering temperature max.	JEDEC J-STD-020C	20 - 40 s at 260 °C / wave soldering machined contacts	-
Warning		-	Soldering of pressfit connectors not to be recommended.
Housing Material			
Plastic material		PA 46 / PBT	PA 46 / PBT
CTI value	IEC 112	CTI 250 / CTI 200	CTI 250 / CTI 200
UL flame rating		UL 94 V-0	UL 94 V-0
UL file		E47960	E47960
Contact Material			
Base material		Cu alloy	Cu alloy
Mating area		Signal contact: gold plated Stamped contact: silver plated Machined contact: gold plated	Signal contact: gold plated Stamped contact: silver plated Machined contact: gold plated
Termination area		Signal contact: Sn Stamped contact: silver plated Machined contact: gold plated	Signal contact: Sn Stamped contact: silver plated Machined contact: gold plated
Metal Shell Material			
Base material		St	St
Plating		Sn	Sn
Metal Bracket Material			
Base material		Cu alloy	Cu alloy
Plating		Sn	Sn
Environment Compatibility			
Recycling		no flame-retardent additives, no toxic additives allow easy recycling	
Product-approval			
UL		E84703 (stamped contacts)	E84703 (stamped contacts)



	Standard	IDC flat cable/discrete wire	Crimp	Hand solder	
Number of pins		9, 15, 25 and 37	9, 15, 25 and 37	9, 15, 25 and 37	
Wire cross section		Flat cable: AWG 26 (solid wire) AWG 28 (stranded wire) Discrete wire: AWG 20-30	AWG 20-28	AWG 18	
Technical Data					
Climate category	DIN EN 60068-1 test b	-55/125/56	-55/125/56	-55/125/56	
Temperature range		-55/125 °C	-55/125 °C	-55/125 °C	
Current rating per contact	IEC 60512 test 5b	Depending on used cable and see also derating curve of the connector.			
Air- and creepage distance		0.9 mm	1.2 mm	1.0 mm	
Operating voltage	IEC 60664	The permissible operating voltages depend on the customer application and on the applicable or specified safety requirements. Insulation coordination according to IEC 60664-1 has to be regarded for the complete electrical device. Therefore, the maximum creepage and clearance distances of the mated connectors are specified for consideration as a part of the whole current path. In practice, reductions in creepage or clearance distances may occur due to the conductive pattern of the printed board or the wiring used, and have to be taken into account separately. As a result the creepage and clearance distances for the application may be reduced compared to those of the connector.			
Dielectric strength	IEC 60512 test 4a	contact-contact 750 V _{rms} (flat cable) 1000 V _{rms} (discrete wire) contact-ground 1200 V _{rms}	contact-contact 1000 V _{rms} contact-ground 1200 V _{rms}	contact-contact 1000 V _{rms} contact-ground 1200 V _{rms}	
Contact resistance	IEC 60512 test 2a	< 10 mΩ	< 10 mΩ	< 10 mΩ	
Insulation resistance	IEC 60512 test 3a	> 5x10 ⁹ Ω	> 5x10 ⁹ Ω	> 5x10 ⁹ Ω	
Vibration, sine	IEC 60512 test 6d	10 – 2000 Hz 20 g	10 – 2000 Hz 20 g	10 – 2000 Hz 20 g	
Contact disturbance (while vibration test)	IEC 60512 test 2e	< 1 μs	< 1 μs	< 1 μs	
Shock, halfsine	IEC 60512 test 6c	50 g 11 ms	50 g 11 ms	50 g 11 ms	
Contact disturbance (while shock test)	IEC 60512 test 2e	< 1 μs	< 1 μs	< 1 μs	
Mechanical operation (mating cycles)	IEC 60512 test 9a	> 250 mating cycles	> 250 mating cycles	> 250 mating cycles	
Insertion and withdrawal force	IEC 60512 test 13b	Insertion force		Withdrawal force	
			max.	min.	max.
		9pin	30 N	3.3 N	20 N
		15pin	50 N	4.5 N	50 N
		25pin	83 N	7.8 N	56 N
		37pin	123 N	11.0 N	82 N
Gauge retention force	IEC 60512 test 16e	> 0.2 N	> 0.2 N	> 0.2 N	

D-Sub Connectors

Electrical and Mechanical Characteristics

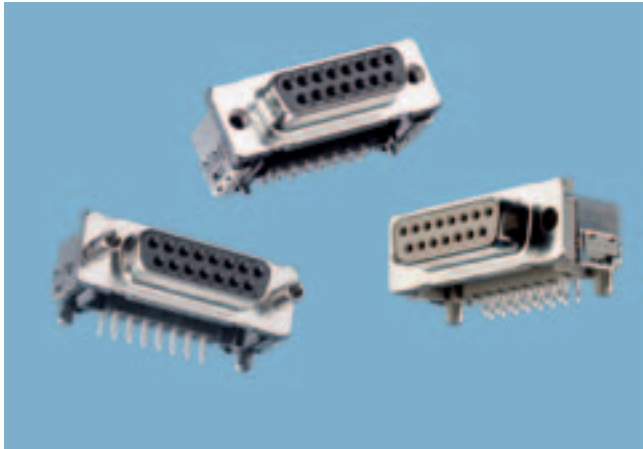


	Standard	IDC flat cable/discrete wire	Crimp	Hand solder
Number of pins		9, 15, 25 and 37	9, 15, 25 and 37	9, 15, 25 and 37
Process-conditions				
Processing temperature		0/55 °C	0/55 °C	-
Hand soldering temperature max.		-	-	3.5 s at 350 °C
Housing Material				
Housing: Plastic material		PBT	PBT	PBT
CTI value	IEC 112	CTI 275	CTI 275	CTI 200
UL flame rating		UL 94 V-0	UL 94 V-0	UL 94 V-0
UL file (material)				E47960
Contact Material				
Base material		Cu alloy	Cu alloy	Cu alloy
Mating area		gold plated	gold plated	gold plated
Termination area		Sn	Sn	Sn
Metal Shell Material				
Base material		St	St	St
Plating		Sn	Sn	Sn
Environment Compatibility				
Recycling		no flame-retardent additives, no toxic additives allow easy recycling		
Attention				

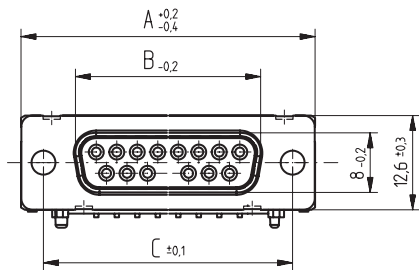
The electrical and thermal variables may be influenced by whichever cable is used.

D-Sub Connectors

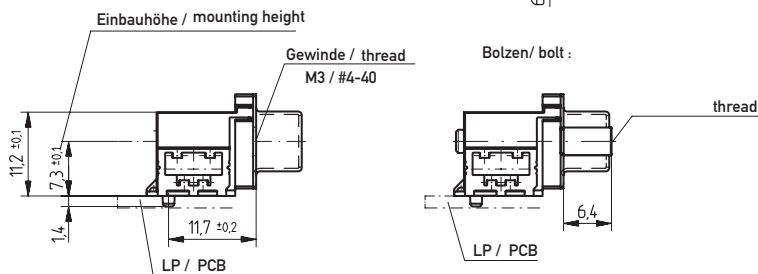
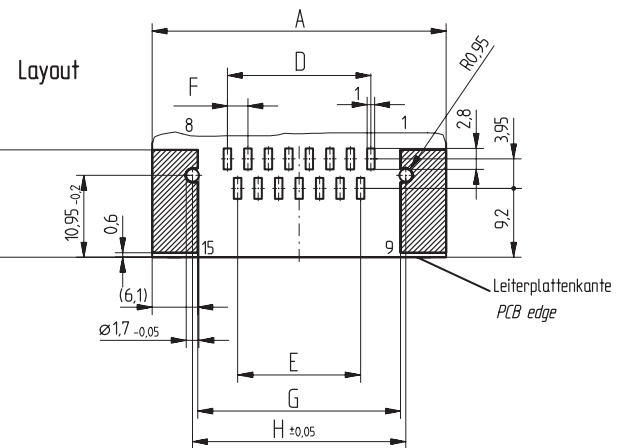
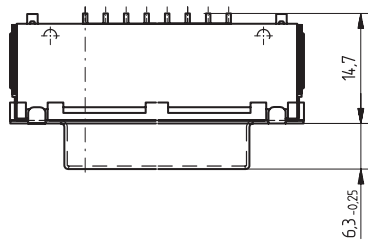
Right Angle Female



Dimensional Drawing SMT, Assembly Height 7.3 mm

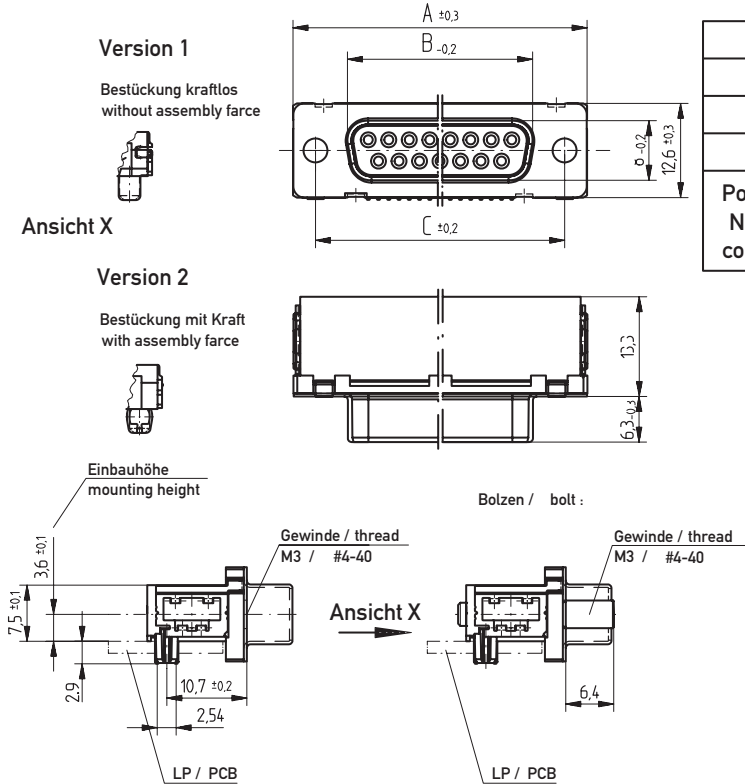


9	31.0	16.8	25.0	10.96	8.22	2.74	18.8	20.2
15	39.3	25.1	33.3	19.18	16.44	2.74	27.1	28.5
25	53.0	38.9	47.0	33.12	30.36	2.76	40.8	42.2
37	69.5	55.3	63.5	49.68	46.92	2.76	57.3	58.7
Pohlzahl No. of contacts	A	B	C	D	E	F	G	H

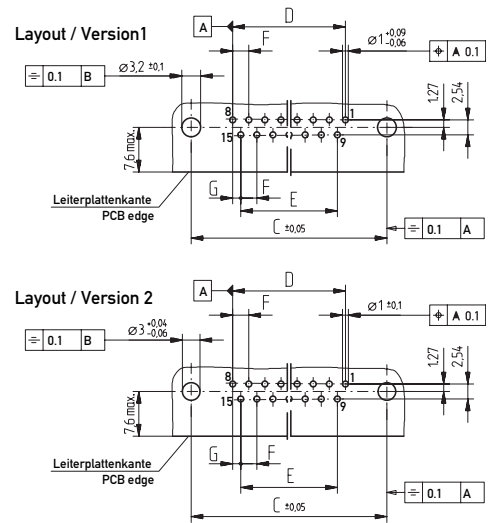


All dimensions in mm

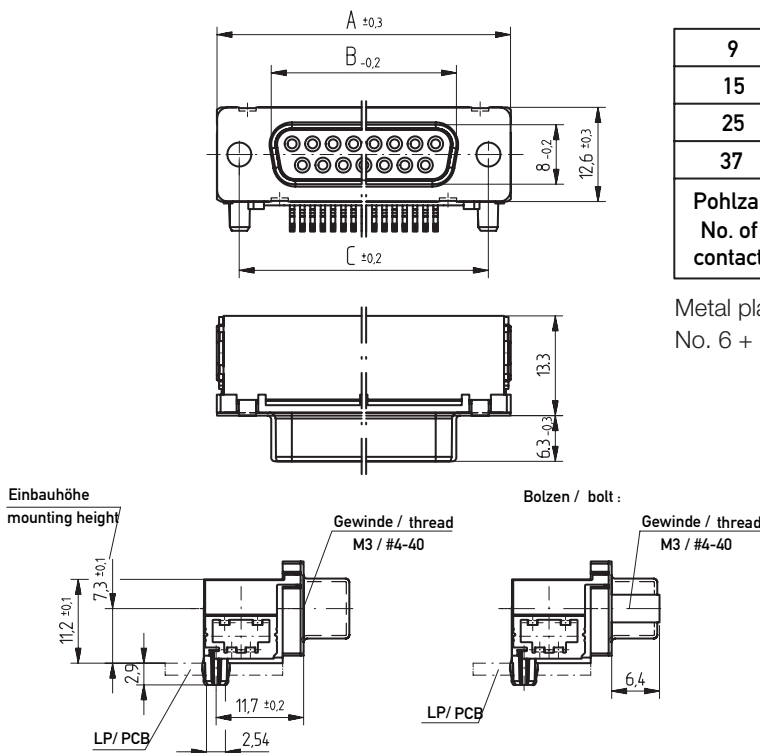
Dimensional Drawing THR, Assembly Height 3.6 mm



9	31.0	16.4	25.0	10.96	8.22	2.74	1.37
15	39.3	24.75	33.3	19.18	16.44	2.74	1.37
25	53.0	38.5	47.0	33.12	30.36	2.76	1.38
37	69.5	54.95	63.5	49.68	46.92	2.76	1.38
Pohlzahl No. of contacts	A	B	C	D	E	F	G

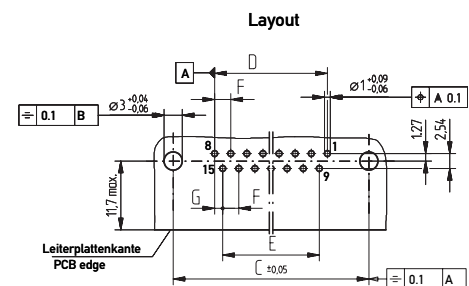


Dimensional Drawing Pressfit, Assembly Height 7.3 mm



9	31.0	16.4	25.0	10.96	8.22	2.74	1.37
15	39.3	24.75	33.3	19.18	16.44	2.74	1.37
25	53.0	38.5	47.0	33.12	30.36	2.76	1.38
37	69.5	54.95	63.5	49.68	46.92	2.76	1.38
Pohlzahl No. of contacts	A	B	C	D	E	F	G

Metal plating of plated-through hole see drawing 164062
No. 6 + 12



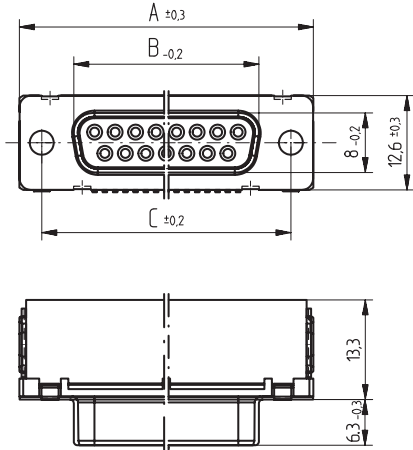
All dimensions in mm

D-Sub Connectors

Right Angle Female

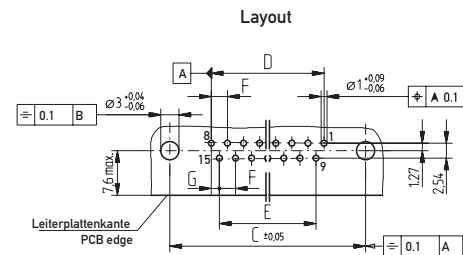
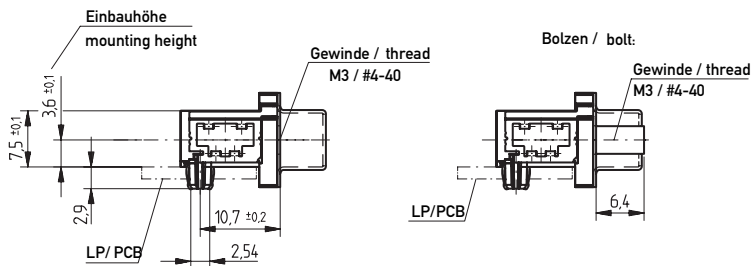


Dimensional Drawing Pressfit (Clip), Assembly Height 3.6 mm

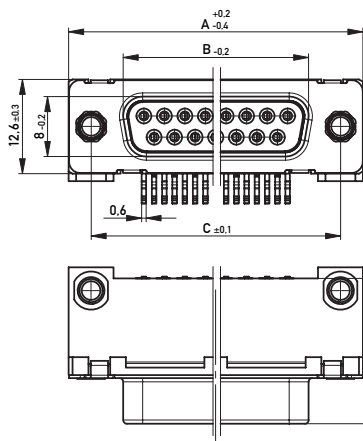


9	31.0	16.4	25.0	10.96	8.22	2.74	1.37
15	39.3	24.75	33.3	19.18	16.44	2.74	1.37
25	53.0	38.5	47.0	33.12	30.36	2.76	1.38
37	69.5	54.95	63.5	49.68	46.92	2.76	1.38
Pohlzahl No. of contacts	A	B	C	D	E	F	G

Metal plating of plated-through hole see drawing 164062 No. 6 + 12

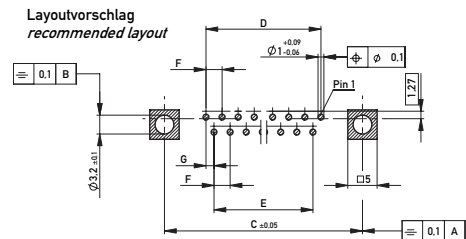
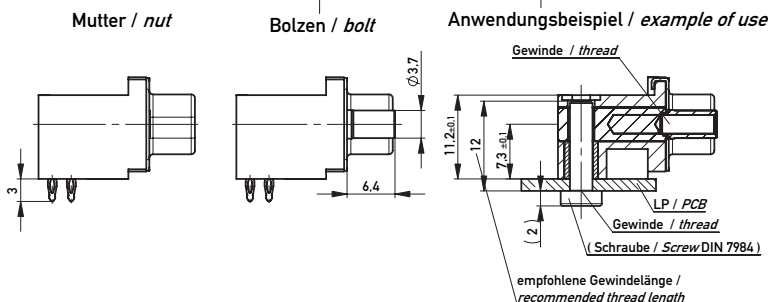


Dimensional Drawing Pressfit (Screw), Assembly Height 7.3 mm



9	31.00	16.40	25.00	10.96	8.22	2.74	1.37
15	39.30	24.75	33.30	19.18	16.44	2.74	1.37
25	53.00	38.50	47.00	33.12	30.36	2.76	1.38
37	69.50	54.95	63.50	49.68	46.92	2.76	1.38
Pohlzahl No. of contacts	A	B	C	D	E	F	G

Metal plating of plated-through hole see drawing 164062 No. 6 + 12



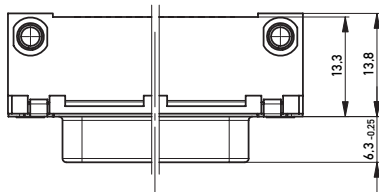
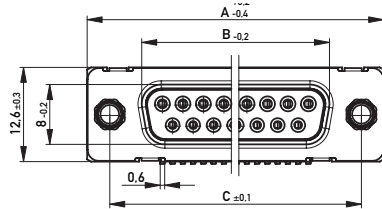
All dimensions in mm

D-Sub Connectors

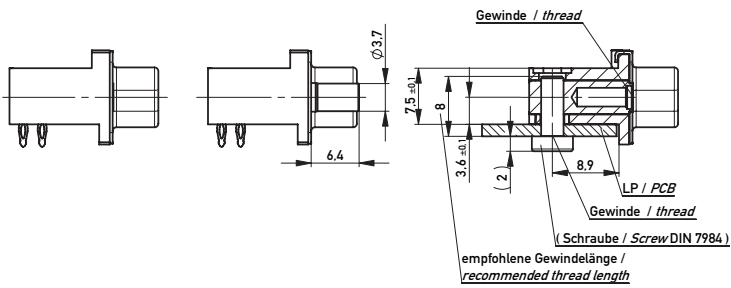
Right Angle Female



Dimensional Drawing Pressfit (Screw), Assembly Height 3.6 mm

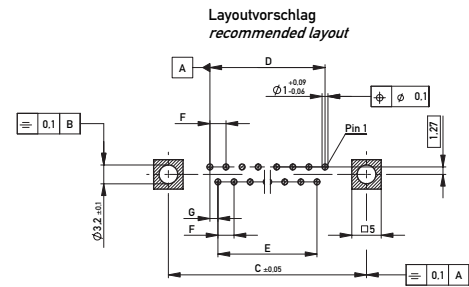


Mutter / nut Bolzen / bolt Anwendungsbeispiel / example of use



9	31.00	16.40	25.00	10.96	8.22	2.74	1.37
15	39.3	24.75	33.30	19.18	16.44	2.74	1.37
25	53.00	38.50	47.00	33.12	30.36	2.76	1.38
37	69.50	54.95	63.50	49.68	46.92	2.76	1.38
Pohlzahl No. of contacts	A	B	C	D	E	F	G

Metal plating of plated-through hole see drawing 164062
No. 6 + 12



All dimensions in mm

D-Sub Connectors

Right Angle Female 9 Pin



Ordering Information

SMT Versions

No. of Pins	Termination	Assembly Height	Termination Length	Accessory Mating Side	Accessory Terminal Side	Packaging	Part Number
9	SMT	3.6 mm	–	Through Hole 3.2 mm	–	Tray (32 pcs)	174428
9	SMT	3.6 mm	–	Through Hole 3.2 mm	–	Tape & Reel (125 pcs)	224818
9	SMT	3.6 mm	–	Thread M3	–	Tray (32 pcs)	214643
9	SMT	3.6 mm	–	Thread 4-40 UNC	–	Tray (32 pcs)	204773
9	SMT	3.6 mm	–	Thread 4-40 UNC	–	Tape & Reel (125 pcs)	214647
9	SMT	3.6 mm	–	Threaded bolt M3	–	Tray (32 pcs)	154141
9	SMT	3.6 mm	–	Threaded bolt 4-40 UNC	–	Tray (32 pcs)	154142
9	SMT	7.3 mm	–	Through Hole 3.2 mm	–	Tray (32 pcs)	174440
9	SMT	7.3 mm	–	Through Hole 3.2 mm	–	Tape & Reel (75 pcs)	234939
9	SMT	7.3 mm	–	Thread M3	–	Tray (32 pcs)	154235
9	SMT	7.3 mm	–	Thread 4-40 UNC	–	Tray (32 pcs)	154236
9	SMT	7.3 mm	–	Thread 4-40 UNC	–	Tape & Reel (75 pcs)	214560
9	SMT	7.3 mm	–	Threaded bolt M3	–	Tray (32 pcs)	154237
9	SMT	7.3 mm	–	Threaded bolt 4-40 UNC	–	Tray (32 pcs)	154238
9	SMT	7.3 mm	–	Threaded bolt 4-40 UNC	–	Tape & Reel (75 pcs)	174988



Ordering Information

THR Versions

No. of Pins	Termination	Assembly Height	Termination Length	Accessory Mating Side	Accessory Terminal Side	Packaging	Part Number
9	THR	3.6 mm	3.0 mm	Through Hole 3.2 mm	Clip with assembly force	Tray (32 pcs)	174432
9	THR	3.6 mm	3.0 mm	Through Hole 3.2 mm	Clip without assembly force	Tray (32 pcs)	204491
9	THR	3.6 mm	3.0 mm	Thread M3	Clip with assembly force	Tray (32 pcs)	154155
9	THR	3.6 mm	3.0 mm	Thread M3	Clip without assembly force	Tray (32 pcs)	204487
9	THR	3.6 mm	3.0 mm	Thread 4-40 UNC	Clip with assembly force	Tray (32 pcs)	154156
9	THR	3.6 mm	3.0 mm	Thread 4-40 UNC	Clip without assembly force	Tray (32 pcs)	204488
9	THR	3.6 mm	3.0 mm	Thread 4-40 UNC	Clip without assembly force	Tape & Reel (125 pcs)	204742
9	THR	3.6 mm	3.0 mm	Threaded bolt M3	Clip with assembly force	Tray (32 pcs)	154157
9	THR	3.6 mm	3.0 mm	Threaded bolt M3	Clip without assembly force	Tray (32 pcs)	204489
9	THR	3.6 mm	3.0 mm	Threaded bolt 4-40 UNC	Clip with assembly force	Tray (32 pcs)	154158
9	THR	3.6 mm	3.0 mm	Threaded bolt 4-40 UNC	Clip without assembly force	Tray (32 pcs)	204490

D-Sub Connectors

Right Angle Female 9 Pin



Ordering Information

THR Versions

No. of Pins	Termination	Assembly Height	Termination Length	Accessory Mating Side	Accessory Terminal Side	Packaging	Part Number
9	THR	7.3 mm	3.0 mm	Through Hole 3.2 mm	Clip with assembly force	Tray (32 pcs)	174444
9	THR	7.3 mm	3.0 mm	Through Hole 3.2 mm	Clip without assembly force	Tray (32 pcs)	204515
9	THR	7.3 mm	3.0 mm	Thread M3	Clip with assembly force	Tray (32 pcs)	154251
9	THR	7.3 mm	3.0 mm	Thread M3	Clip without assembly force	Tray (32 pcs)	204511
9	THR	7.3 mm	3.0 mm	Thread 4-40 UNC	Clip with assembly force	Tray (32 pcs)	154252
9	THR	7.3 mm	3.0 mm	Thread 4-40 UNC	Clip without assembly force	Tray (32 pcs)	204512
9	THR	7.3 mm	3.0 mm	Thread 4-40 UNC	Clip without assembly force	Tape & Reel (75 pcs)	224845
9	THR	7.3 mm	3.0 mm	Threaded bolt M3	Clip with assembly force	Tray (32 pcs)	154253
9	THR	7.3 mm	3.0 mm	Threaded bolt M3	Clip without assembly force	Tray (32 pcs)	204513
9	THR	7.3 mm	3.0 mm	Threaded bolt 4-40 UNC	Clip with assembly force	Tray (32 pcs)	154254
9	THR	7.3 mm	3.0 mm	Threaded bolt 4-40 UNC	Clip with assembly force	Tape & Reel (75 pcs)	214773
9	THR	7.3 mm	3.0 mm	Threaded bolt 4-40 UNC	Clip without assembly force	Tray (32 pcs)	204514



Ordering Information

Pressfit Versions

No. of Pins	Termination	Assembly Height	Termination Length	Accessory Mating Side	Accessory Terminal Side	Packaging	Part Number
9	Pressfit	3.6 mm	3.0 mm	Through Hole 3.2 mm	Clip	Tray (32 pcs)	174436
9	Pressfit	3.6 mm	3.0 mm	Thread M3	Clip	Tray (32 pcs)	154171
9	Pressfit	3.6 mm	3.0 mm	Thread 4-40 UNC	Clip	Tray (32 pcs)	154172
9	Pressfit	3.6 mm	3.0 mm	Threaded bolt M3	Clip	Tray (32 pcs)	154173
9	Pressfit	3.6 mm	3.0 mm	Threaded bolt 4-40 UNC	Clip	Tray (32 pcs)	154174
9	Pressfit	7.3 mm	3.0 mm	Through Hole 3.2 mm	Clip	Tray (32 pcs)	174448
9	Pressfit	7.3 mm	3.0 mm	Thread M3	Clip	Tray (32 pcs)	154267
9	Pressfit	7.3 mm	3.0 mm	Thread 4-40 UNC	Clip	Tray (32 pcs)	154268
9	Pressfit	7.3 mm	3.0 mm	Threaded bolt M3	Clip	Tray (32 pcs)	154269
9	Pressfit	7.3 mm	3.0 mm	Threaded bolt 4-40 UNC	Clip	Tray (32 pcs)	154270
9	Pressfit	3.6 mm	3.0 mm	Thread M3	Screw M3	Tray (32 pcs)	284512
9	Pressfit	3.6 mm	3.0 mm	Thread 4-40 UNC	Screw 4-40 UNC	Tray (32 pcs)	284513
9	Pressfit	3.6 mm	3.0 mm	Threaded bolt 4-40 UNC	Screw 4-40 UNC	Tray (32 pcs)	284514
9	Pressfit	7.3 mm	3.0 mm	Thread 4-40 UNC	Screw 4-40 UNC	Tray (32 pcs)	284524
9	Pressfit	7.3 mm	3.0 mm	Threaded bolt 4-40 UNC	Screw 4-40 UNC	Tray (32 pcs)	284525
9	Pressfit	7.3 mm	3.0 mm	Threaded bolt 4-40 UNC	Screw M3	Tray (32 pcs)	284526

D-Sub Connectors

Right Angle Female 15 Pin



Ordering Information

SMT Versions

No. of Pins	Termination	Assembly Height	Termination Length	Accessory Mating Side	Accessory Terminal Side	Packaging	Part Number
15	SMT	3.6 mm	–	Through Hole 3.2 mm	–	Tray (24 pcs)	174429
15	SMT	3.6 mm	–	Thread M3	–	Tray (24 pcs)	214644
15	SMT	3.6 mm	–	Thread 4-40 UNC	–	Tray (24 pcs)	204774
15	SMT	3.6 mm	–	Threaded bolt M3	–	Tray (24 pcs)	154145
15	SMT	3.6 mm	–	Threaded bolt 4-40 UNC	–	Tray (24 pcs)	154146
15	SMT	7.3 mm	–	Through Hole 3.2 mm	–	Tray (24 pcs)	174441
15	SMT	7.3 mm	–	Thread M3	–	Tray (24 pcs)	154239
15	SMT	7.3 mm	–	Thread 4-40 UNC	–	Tray (24 pcs)	154240
15	SMT	7.3 mm	–	Threaded bolt M3	–	Tray (24 pcs)	154241
15	SMT	7.3 mm	–	Threaded bolt 4-40 UNC	–	Tray (24 pcs)	154242



Ordering Information

THR Versions

No. of Pins	Termination	Assembly Height	Termination Length	Accessory Mating Side	Accessory Terminal Side	Packaging	Part Number
15	THR	3.6 mm	3.0 mm	Through Hole 3.2 mm	Clip with assembly force	Tray (24 pcs)	174433
15	THR	3.6 mm	3.0 mm	Through Hole 3.2 mm	Clip without assembly force	Tray (24 pcs)	204497
15	THR	3.6 mm	3.0 mm	Thread M3	Clip with assembly force	Tray (24 pcs)	154159
15	THR	3.6 mm	3.0 mm	Thread M3	Clip without assembly force	Tray (24 pcs)	204493
15	THR	3.6 mm	3.0 mm	Thread 4-40 UNC	Clip with assembly force	Tray (24 pcs)	154160
15	THR	3.6 mm	3.0 mm	Thread 4-40 UNC	Clip without assembly force	Tray (24 pcs)	204494
15	THR	3.6 mm	3.0 mm	Threaded bolt M3	Clip with assembly force	Tray (24 pcs)	154161
15	THR	3.6 mm	3.0 mm	Threaded bolt M3	Clip without assembly force	Tray (24 pcs)	204495
15	THR	3.6 mm	3.0 mm	Threaded bolt 4-40 UNC	Clip with assembly force	Tray (24 pcs)	154162
15	THR	3.6 mm	3.0 mm	Threaded bolt 4-40 UNC	Clip without assembly force	Tray (24 pcs)	204496
15	THR	3.6 mm	3.0 mm	Threaded bolt 4-40 UNC	Clip with assembly force	Tape & Reel (125 pcs)	223163

D-Sub Connectors

Right Angle Female 15 Pin



Ordering Information

THR Versions

No. of Pins	Termination	Assembly Height	Termination Length	Accessory Mating Side	Accessory Terminal Side	Packaging	Part Number
15	THR	7.3 mm	3.0 mm	Through Hole 3.2 mm	Clip with assembly force	Tray (24 pcs)	174445
15	THR	7.3 mm	3.0 mm	Through Hole 3.2 mm	Clip without assembly force	Tray (24 pcs)	204521
15	THR	7.3 mm	3.0 mm	Thread M3	Clip with assembly force	Tray (24 pcs)	154255
15	THR	7.3 mm	3.0 mm	Thread M3	Clip without assembly force	Tray (24 pcs)	204517
15	THR	7.3 mm	3.0 mm	Thread 4-40 UNC	Clip with assembly force	Tray (24 pcs)	154256
15	THR	7.3 mm	3.0 mm	Thread 4-40 UNC	Clip without assembly force	Tray (24 pcs)	204518
15	THR	7.3 mm	3.0 mm	Threaded bolt M3	Clip with assembly force	Tray (24 pcs)	154257
15	THR	7.3 mm	3.0 mm	Threaded bolt M3	Clip without assembly force	Tray (24 pcs)	204519
15	THR	7.3 mm	3.0 mm	Threaded bolt 4-40 UNC	Clip with assembly force	Tray (24 pcs)	154258
15	THR	7.3 mm	3.0 mm	Threaded bolt 4-40 UNC	Clip without assembly force	Tray (24 pcs)	204520



Ordering Information

Pressfit Versions

No. of Pins	Termination	Assembly Height	Termination Length	Accessory Mating Side	Accessory Terminal Side	Packaging	Part Number
15	Pressfit	3.6 mm	3.0 mm	Through Hole 3.2 mm	Clip	Tray (24 pcs)	174437
15	Pressfit	3.6 mm	3.0 mm	Thread M3	Clip	Tray (24 pcs)	154175
15	Pressfit	3.6 mm	3.0 mm	Thread 4-40 UNC	Clip	Tray (24 pcs)	154176
15	Pressfit	3.6 mm	3.0 mm	Threaded bolt M3	Clip	Tray (24 pcs)	154177
15	Pressfit	3.6 mm	3.0 mm	Threaded bolt 4-40 UNC	Clip	Tray (24 pcs)	154178
15	Pressfit	7.3 mm	3.0 mm	Through Hole 3.2 mm	Clip	Tray (24 pcs)	174449
15	Pressfit	7.3 mm	3.0 mm	Thread M3	Clip	Tray (24 pcs)	154271
15	Pressfit	7.3 mm	3.0 mm	Thread 4-40 UNC	Clip	Tray (24 pcs)	154272
15	Pressfit	7.3 mm	3.0 mm	Threaded bolt M3	Clip	Tray (24 pcs)	154273
15	Pressfit	7.3 mm	3.0 mm	Threaded bolt 4-40 UNC	Clip	Tray (24 pcs)	154274
15	Pressfit	3.6 mm	3.0 mm	Thread M3	Screw M3	Tray (24 pcs)	284515
15	Pressfit	3.6 mm	3.0 mm	Thread 4-40 UNC	Screw 4-40 UNC	Tray (24 pcs)	284516
15	Pressfit	3.6 mm	3.0 mm	Threaded bolt 4-40 UNC	Screw 4-40 UNC	Tray (24 pcs)	284517
15	Pressfit	7.3 mm	3.0 mm	Thread 4-40 UNC	Screw 4-40 UNC	Tray (24 pcs)	284527
15	Pressfit	7.3 mm	3.0 mm	Threaded bolt 4-40 UNC	Screw 4-40 UNC	Tray (24 pcs)	284528
15	Pressfit	7.3 mm	3.0 mm	Threaded bolt 4-40 UNC	Screw M3	Tray (24 pcs)	284529

D-Sub Connectors

Right Angle Female 25 Pin



Ordering Information

SMT Versions

No. of Pins	Termination	Assembly Height	Termination Length	Accessory Mating Side	Accessory Terminal Side	Packaging	Part Number
25	SMT	3.6 mm	–	Through Hole 3.2 mm	–	Tray (20 pcs)	174430
25	SMT	3.6 mm	–	Thread M3	–	Tray (20 pcs)	214645
25	SMT	3.6 mm	–	Thread 4-40 UNC	–	Tray (20 pcs)	204775
25	SMT	3.6 mm	–	Threaded bolt M3	–	Tray (20 pcs)	154149
25	SMT	3.6 mm	–	Threaded bolt M3	–	Tape & Reel (125 pcs)	214769
25	SMT	3.6 mm	–	Threaded bolt 4-40 UNC	–	Tray (20 pcs)	154150
25	SMT	7.3 mm	–	Through Hole 3.2 mm	–	Tray (20 pcs)	174442
25	SMT	7.3 mm	–	Through Hole 3.2 mm	–	Tape & Reel (75 pcs)	234941
25	SMT	7.3 mm	–	Thread M3	–	Tray (20 pcs)	154243
25	SMT	7.3 mm	–	Thread 4-40 UNC	–	Tray (20 pcs)	154244
25	SMT	7.3 mm	–	Threaded bolt M3	–	Tray (20 pcs)	154245
25	SMT	7.3 mm	–	Threaded bolt 4-40 UNC	–	Tray (20 pcs)	154246

D-Sub Connectors

Right Angle Female 25 Pin



Ordering Information

THR Versions

No. of Pins	Termination	Assembly Height	Termination Length	Accessory Mating Side	Accessory Terminal Side	Packaging	Part Number
25	THR	3.6 mm	3.0 mm	Through Hole 3.2 mm	Clip with assembly force	Tray (20 pcs)	174434
25	THR	3.6 mm	3.0 mm	Through Hole 3.2 mm	Clip without assembly force	Tray (20 pcs)	204503
25	THR	3.6 mm	3.0 mm	Thread M3	Clip with assembly force	Tray (20 pcs)	154163
25	THR	3.6 mm	3.0 mm	Thread M3	Clip without assembly force	Tray (20 pcs)	204499
25	THR	3.6 mm	3.0 mm	Thread 4-40 UNC	Clip with assembly force	Tray (20 pcs)	154164
25	THR	3.6 mm	3.0 mm	Thread 4-40 UNC	Clip without assembly force	Tray (20 pcs)	204500
25	THR	3.6 mm	3.0 mm	Threaded bolt M3	Clip with assembly force	Tray (20 pcs)	154165
25	THR	3.6 mm	3.0 mm	Threaded bolt M3	Clip without assembly force	Tray (20 pcs)	204501
25	THR	3.6 mm	3.0 mm	Threaded bolt 4-40 UNC	Clip with assembly force	Tray (20 pcs)	154166
25	THR	3.6 mm	3.0 mm	Threaded bolt 4-40 UNC	Clip without assembly force	Tray (20 pcs)	204502

D-Sub Connectors

Right Angle Female 25 Pin



Ordering Information

THR Versions

No. of Pins	Termination	Assembly Height	Termination Length	Accessory Mating Side	Accessory Terminal Side	Packaging	Part Number
25	THR	7.3 mm	3.0 mm	Through Hole 3.2 mm	Clip with assembly force	Tray (20 pcs)	174446
25	THR	7.3 mm	3.0 mm	Through Hole 3.2 mm	Clip without assembly force	Tray (20 pcs)	204527
25	THR	7.3 mm	3.0 mm	Thread M3	Clip with assembly force	Tray (20 pcs)	154259
25	THR	7.3 mm	3.0 mm	Thread M3	Clip without assembly force	Tray (20 pcs)	204523
25	THR	7.3 mm	3.0 mm	Thread 4-40 UNC	Clip with assembly force	Tray (20 pcs)	154260
25	THR	7.3 mm	3.0 mm	Thread 4-40 UNC	Clip without assembly force	Tray (20 pcs)	204524
25	THR	7.3 mm	3.0 mm	Threaded bolt M3	Clip with assembly force	Tray (20 pcs)	154261
25	THR	7.3 mm	3.0 mm	Threaded bolt M3	Clip without assembly force	Tray (20 pcs)	204525
25	THR	7.3 mm	3.0 mm	Threaded bolt 4-40 UNC	Clip with assembly force	Tray (20 pcs)	154262
25	THR	7.3 mm	3.0 mm	Threaded bolt 4-40 UNC	Clip without assembly force	Tray (20 pcs)	204526



Ordering Information

Pressfit Versions

No. of Pins	Termination	Assembly Height	Termination Length	Accessory Mating Side	Accessory Terminal Side	Packaging	Part Number
25	Pressfit	3.6 mm	3.0 mm	Through Hole 3.2 mm	Clip	Tray (20 pcs)	174438
25	Pressfit	3.6 mm	3.0 mm	Thread M3	Clip	Tray (20 pcs)	154179
25	Pressfit	3.6 mm	3.0 mm	Thread 4-40 UNC	Clip	Tray (20 pcs)	154180
25	Pressfit	3.6 mm	3.0 mm	Threaded bolt M3	Clip	Tray (20 pcs)	154181
25	Pressfit	3.6 mm	3.0 mm	Threaded bolt 4-40 UNC	Clip	Tray (20 pcs)	154182
25	Pressfit	7.3 mm	3.0 mm	Through Hole 3.2 mm	Clip	Tray (20 pcs)	174450
25	Pressfit	7.3 mm	3.0 mm	Thread M3	Clip	Tray (20 pcs)	154275
25	Pressfit	7.3 mm	3.0 mm	Thread 4-40 UNC	Clip	Tray (20 pcs)	154276
25	Pressfit	7.3 mm	3.0 mm	Threaded bolt M3	Clip	Tray (20 pcs)	154277
25	Pressfit	7.3 mm	3.0 mm	Threaded bolt 4-40 UNC	Clip	Tray (20 pcs)	154278
25	Pressfit	3.6 mm	3.0 mm	Thread M3	Screw M3	Tray (20 pcs)	284518
25	Pressfit	3.6 mm	3.0 mm	Thread 4-40 UNC	Screw 4-40 UNC	Tray (20 pcs)	284519
25	Pressfit	3.6 mm	3.0 mm	Threaded bolt 4-40 UNC	Screw 4-40 UNC	Tray (20 pcs)	284520
25	Pressfit	7.3 mm	3.0 mm	Thread 4-40 UNC	Screw 4-40 UNC	Tray (20 pcs)	284530
25	Pressfit	7.3 mm	3.0 mm	Threaded bolt 4-40 UNC	Screw 4-40 UNC	Tray (20 pcs)	284531
25	Pressfit	7.3 mm	3.0 mm	Threaded bolt 4-40 UNC	Screw M3	Tray (20 pcs)	284532

D-Sub Connectors

Right Angle Female 37 Pin



Ordering Information

SMT Versions

No. of Pins	Termination	Assembly Height	Termination Length	Accessory Mating Side	Accessory Terminal Side	Packaging	Part Number
37	SMT	3.6 mm	–	Through Hole 3.2 mm	–	Tray (16 pcs)	174431
37	SMT	3.6 mm	–	Thread M3	–	Tray (16 pcs)	214646
37	SMT	3.6 mm	–	Thread 4-40 UNC	–	Tray (16 pcs)	204776
37	SMT	3.6 mm	–	Threaded bolt M3	–	Tray (16 pcs)	154153
37	SMT	3.6 mm	–	Threaded bolt 4-40 UNC	–	Tray (16 pcs)	154154
37	SMT	7.3 mm	–	Through Hole 3.2 mm	–	Tray (16 pcs)	174443
37	SMT	7.3 mm	–	Thread M3	–	Tray (16 pcs)	154247
37	SMT	7.3 mm	–	Thread 4-40 UNC	–	Tray (16 pcs)	154248
37	SMT	7.3 mm	–	Threaded bolt M3	–	Tray (16 pcs)	154249
37	SMT	7.3 mm	–	Threaded bolt 4-40 UNC	–	Tray (16 pcs)	154250

D-Sub Connectors

Right Angle Female 37 Pin



Ordering Information

THR Versions

No. of Pins	Termination	Assembly Height	Termination Length	Accessory Mating Side	Accessory Terminal Side	Packaging	Part Number
37	THR	3.6 mm	3.0 mm	Through Hole 3.2 mm	Clip with assembly force	Tray (16 pcs)	174435
37	THR	3.6 mm	3.0 mm	Through Hole 3.2 mm	Clip without assembly force	Tray (16 pcs)	204509
37	THR	3.6 mm	3.0 mm	Thread M3	Clip with assembly force	Tray (16 pcs)	154167
37	THR	3.6 mm	3.0 mm	Thread M3	Clip without assembly force	Tray (16 pcs)	204505
37	THR	3.6 mm	3.0 mm	Thread 4-40 UNC	Clip with assembly force	Tray (16 pcs)	154168
37	THR	3.6 mm	3.0 mm	Thread 4-40 UNC	Clip without assembly force	Tray (16 pcs)	204506
37	THR	3.6 mm	3.0 mm	Threaded bolt M3	Clip with assembly force	Tray (16 pcs)	154169
37	THR	3.6 mm	3.0 mm	Threaded bolt M3	Clip without assembly force	Tray (16 pcs)	204507
37	THR	3.6 mm	3.0 mm	Threaded bolt 4-40 UNC	Clip with assembly force	Tray (16 pcs)	154170
37	THR	3.6 mm	3.0 mm	Threaded bolt 4-40 UNC	Clip without assembly force	Tray (16 pcs)	204508

D-Sub Connectors

Right Angle Female 37 Pin



Ordering Information

THR Versions

No. of Pins	Termination	Assembly Height	Termination Length	Accessory Mating Side	Accessory Terminal Side	Packaging	Part Number
37	THR	7.3 mm	3.0 mm	Through Hole 3.2 mm	Clip with assembly force	Tray (16 pcs)	174447
37	THR	7.3 mm	3.0 mm	Through Hole 3.2 mm	Clip without assembly force	Tray (16 pcs)	204533
37	THR	7.3 mm	3.0 mm	Thread M3	Clip with assembly force	Tray (16 pcs)	154263
37	THR	7.3 mm	3.0 mm	Thread M3	Clip without assembly force	Tray (16 pcs)	204529
37	THR	7.3 mm	3.0 mm	Thread 4-40 UNC	Clip with assembly force	Tray (16 pcs)	154264
37	THR	7.3 mm	3.0 mm	Thread 4-40 UNC	Clip without assembly force	Tray (16 pcs)	204530
37	THR	7.3 mm	3.0 mm	Threaded bolt M3	Clip with assembly force	Tray (16 pcs)	154265
37	THR	7.3 mm	3.0 mm	Threaded bolt M3	Clip without assembly force	Tray (16 pcs)	204531
37	THR	7.3 mm	3.0 mm	Threaded bolt 4-40 UNC	Clip with assembly force	Tray (16 pcs)	154266
37	THR	7.3 mm	3.0 mm	Threaded bolt 4-40 UNC	Clip without assembly force	Tray (16 pcs)	204532



Ordering Information

Pressfit Versions

No. of Pins	Termination	Assembly Height	Termination Length	Accessory Mating Side	Accessory Terminal Side	Packaging	Part Number
37	Pressfit	3.6 mm	3.0 mm	Through Hole 3.2 mm	Clip	Tray (16 pcs)	174439
37	Pressfit	3.6 mm	3.0 mm	Thread M3	Clip	Tray (16 pcs)	154183
37	Pressfit	3.6 mm	3.0 mm	Thread 4-40 UNC	Clip	Tray (16 pcs)	154184
37	Pressfit	3.6 mm	3.0 mm	Threaded bolt M3	Clip	Tray (16 pcs)	154185
37	Pressfit	3.6 mm	3.0 mm	Threaded bolt 4-40 UNC	Clip	Tray (16 pcs)	154186
37	Pressfit	7.3 mm	3.0 mm	Through Hole 3.2 mm	Clip	Tray (16 pcs)	174451
37	Pressfit	7.3 mm	3.0 mm	Thread M3	Clip	Tray (16 pcs)	154279
37	Pressfit	7.3 mm	3.0 mm	Thread 4-40 UNC	Clip	Tray (16 pcs)	154280
37	Pressfit	7.3 mm	3.0 mm	Threaded bolt M3	Clip	Tray (16 pcs)	154281
37	Pressfit	7.3 mm	3.0 mm	Threaded bolt 4-40 UNC	Clip	Tray (16 pcs)	154282
37	Pressfit	3.6 mm	3.0 mm	Thread M3	Screw M3	Tray (16 pcs)	284521
37	Pressfit	3.6 mm	3.0 mm	Thread 4-40 UNC	Screw 4-40 UNC	Tray (16 pcs)	284522
37	Pressfit	3.6 mm	3.0 mm	Threaded bolt 4-40 UNC	Screw 4-40 UNC	Tray (16 pcs)	284523
37	Pressfit	7.3 mm	3.0 mm	Thread 4-40 UNC	Screw 4-40 UNC	Tray (16 pcs)	284533
37	Pressfit	7.3 mm	3.0 mm	Threaded bolt 4-40 UNC	Screw 4-40 UNC	Tray (16 pcs)	284534
37	Pressfit	7.3 mm	3.0 mm	Threaded bolt 4-40 UNC	Screw M3	Tray (16 pcs)	284535

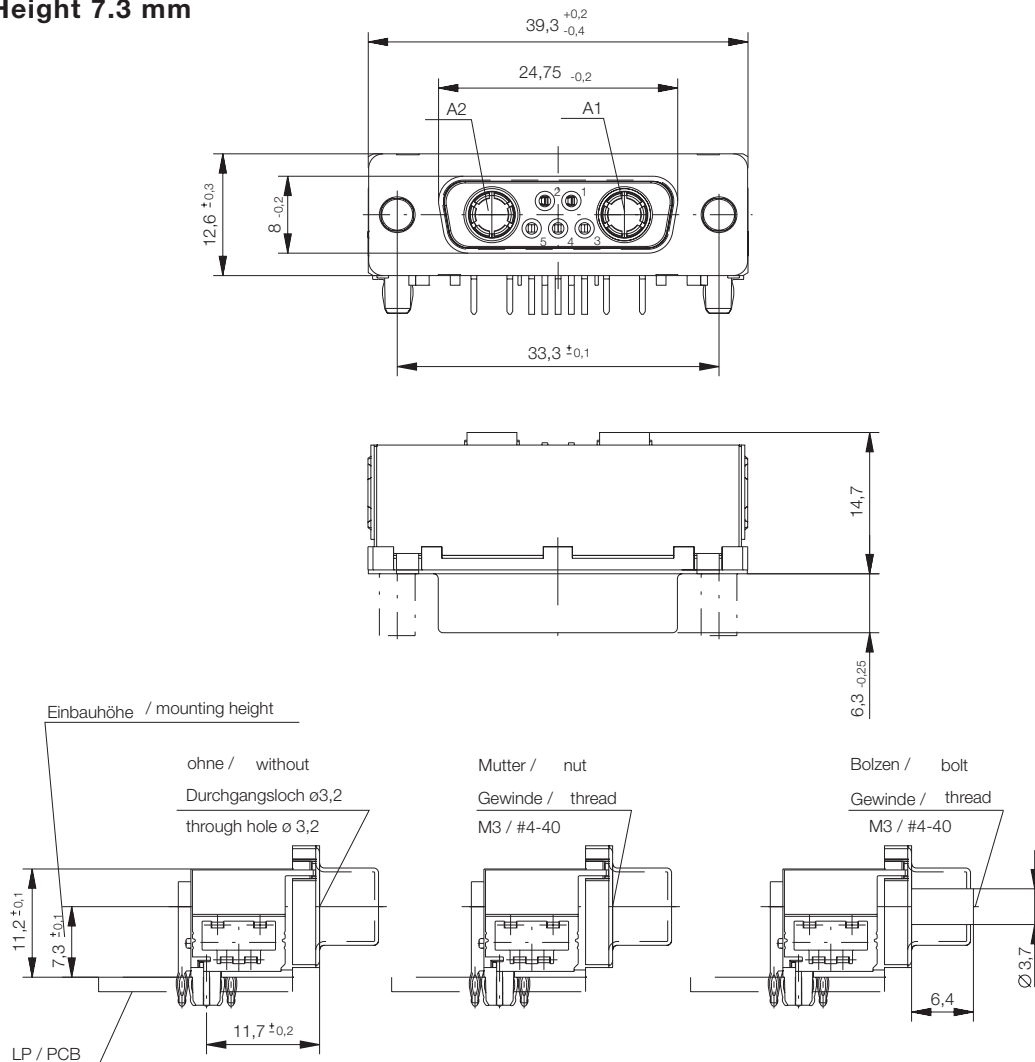
D-Sub Connectors

Right Angle Female High Current 7W2, 3W3, 3WK3



Versions with stamped high current contacts

Dimensional Drawing 7W2 SMT, THR and Pressfit Versions, Assembly Height 7.3 mm



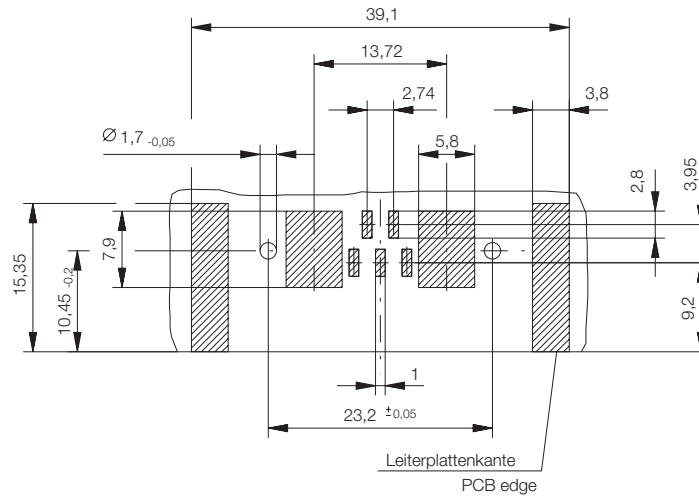
All dimensions in mm

D-Sub Connectors

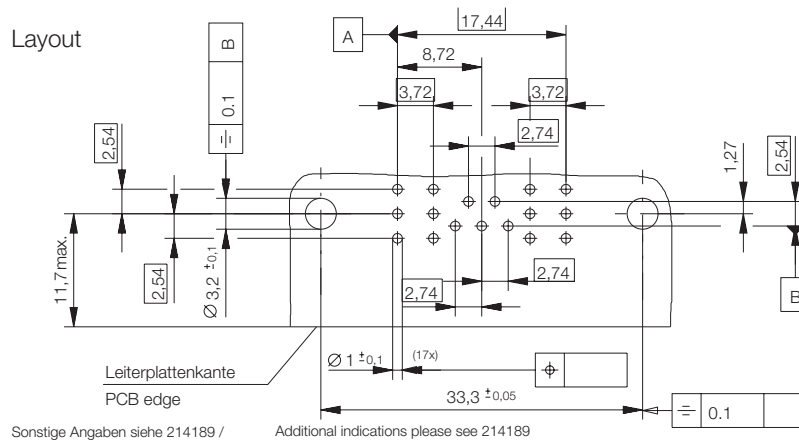
Right Angle Female High Current 7W2, 3W3, 3WK3



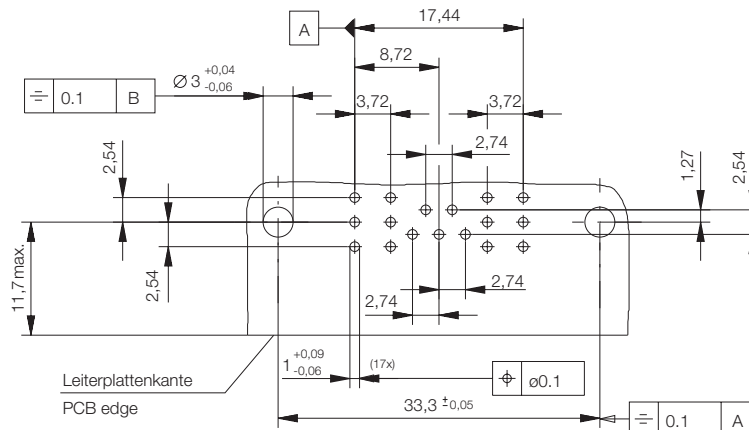
Dimensional Drawing 7W2 SMT



Dimensional Drawing 7W2 THR



Dimensional Drawing 7W2 Pressfit



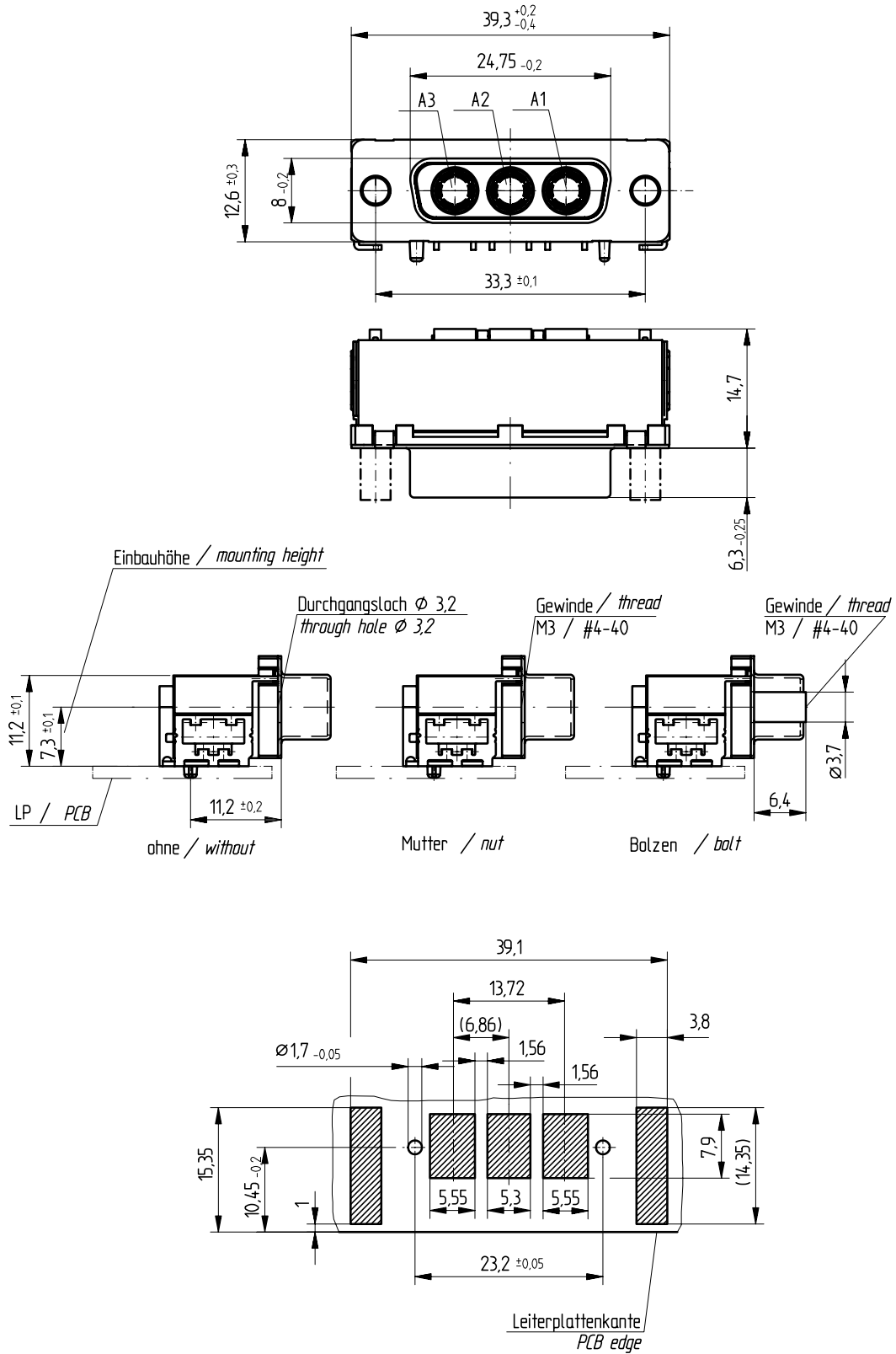
All dimensions in mm

D-Sub Connectors

Right Angle Female High Current 7W2, 3W3, 3WK3



Dimensional Drawing 3W3, 3WK3 SMT



All dimensions in mm

D-Sub Connectors

Right Angle Female High Current 7W2



Ordering Information

SMT Versions

No. of Pins	Termination	Current	Assembly Height	Termination Length	Accessory Mating Side	Accessory Terminal Side	Packaging	Part Number
7W2	SMT	25 A	7.3 mm	–	Through Hole 3.2 mm	–	Tape & Reel (75 pcs)	224263
7W2	SMT	25 A	7.3 mm	–	Thread M3	–	Tape & Reel (75 pcs)	224266
7W2	SMT	25 A	7.3 mm	–	Thread 4-40 UNC	–	Tape & Reel (75 pcs)	204795
7W2	SMT	25 A	7.3 mm	–	Threaded bolt M3	–	Tape & Reel (75 pcs)	224265
7W2	SMT	25 A	7.3 mm	–	Threaded bolt 4-40 UNC	–	Tape & Reel (75 pcs)	224264

D-Sub Connectors

Right Angle Female High Current 7W2



Ordering Information

THR Versions

No. of Pins	Termination	Current	Assembly Height	Termination Length	Accessory Mating Side	Accessory Terminal Side	Packaging	Part Number
7W2	THR	25 A	7.3 mm	3.0 mm	Through Hole 3.2 mm	Clip with assembly force	Tray (24 pcs)	214184
7W2	THR	25 A	7.3 mm	3.0 mm	Thread M3	Clip with assembly force	Tray (24 pcs)	214188
7W2	THR	25 A	7.3 mm	3.0 mm	Thread 4-40 UNC	Clip with assembly force	Tray (24 pcs)	214187
7W2	THR	25 A	7.3 mm	3.0 mm	Threaded bolt M3	Clip with assembly force	Tray (24 pcs)	214186
7W2	THR	25 A	7.3 mm	3.0 mm	Threaded bolt 4-40 UNC	Clip with assembly force	Tray (24 pcs)	214185

D-Sub Connectors

Right Angle Female High Current 7W2



Ordering Information

Pressfit Versions

No. of Pins	Termination	Current	Assembly Height	Termination Length	Accessory Mating Side	Accessory Terminal Side	Packaging	Part Number
7W2	Pressfit	25 A	7.3 mm	3.0 mm	Through Hole 3.2 mm	Clip	Tray (24 pcs)	214306
7W2	Pressfit	25 A	7.3 mm	3.0 mm	Thread M3	Clip	Tray (24 pcs)	214303
7W2	Pressfit	25 A	7.3 mm	3.0 mm	Thread 4-40 UNC	Clip	Tray (24 pcs)	204782
7W2	Pressfit	25 A	7.3 mm	3.0 mm	Threaded bolt M3	Clip	Tray (24 pcs)	214304
7W2	Pressfit	25 A	7.3 mm	3.0 mm	Threaded bolt 4-40 UNC	Clip	Tray (24 pcs)	214305



Ordering Information

SMT Versions

No. of Pins	Termination	Current	Assembly Height	Termination Length	Accessory Mating Side	Accessory Terminal Side	Packaging	Part Number
3W3	SMT	–	7.3 mm	–	Through Hole 3.2 mm	–	Tape & Reel (75 pcs)	244254
3W3	SMT	–	7.3 mm	–	Thread M3	–	Tape & Reel (75 pcs)	244258
3W3	SMT	–	7.3 mm	–	Thread 4-40 UNC	–	Tape & Reel (75 pcs)	244257
3W3	SMT	–	7.3 mm	–	Threaded bolt M3	–	Tape & Reel (75 pcs)	244256
3W3	SMT	–	7.3 mm	–	Threaded bolt 4-40 UNC	–	Tape & Reel (75 pcs)	244255
3WK3	SMT	–	7.3 mm	–	Through Hole 3.2 mm	–	Tape & Reel (75 pcs)	244259
3WK3	SMT	–	7.3 mm	–	Thread M3	–	Tape & Reel (75 pcs)	244263
3WK3	SMT	–	7.3 mm	–	Thread 4-40 UNC	–	Tape & Reel (75 pcs)	244262
3WK3	SMT	–	7.3 mm	–	Threaded bolt M3	–	Tape & Reel (75 pcs)	244261
3WK3	SMT	–	7.3 mm	–	Threaded bolt 4-40 UNC	–	Tape & Reel (75 pcs)	244260

D-Sub Connectors

Right Angle Female High Current 3W3, 3WK3, 5W5, 8W8



Versions with machined high current contacts

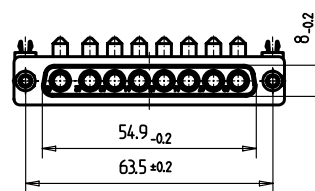
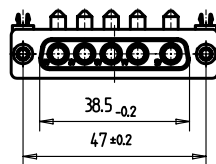
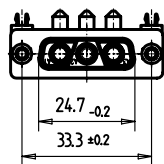
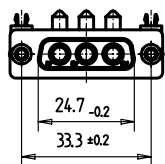
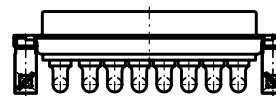
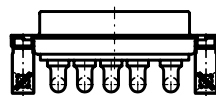
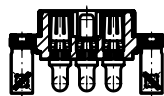
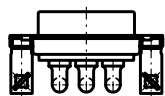
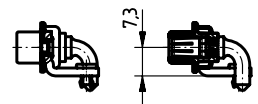
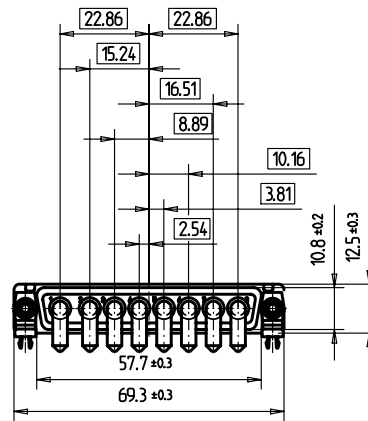
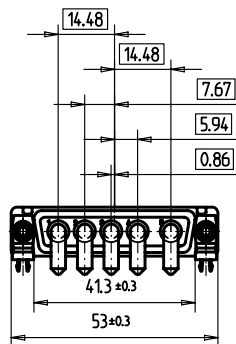
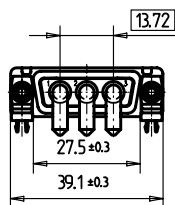
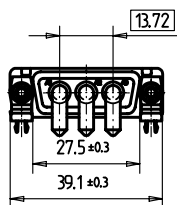
Dimensional Drawing 3W3/3WK3, 5W5 and 8W8, Assembly Height 7.3 mm

3W3

3WK3

5W5

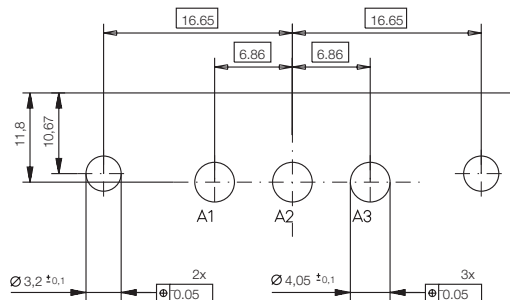
8W8



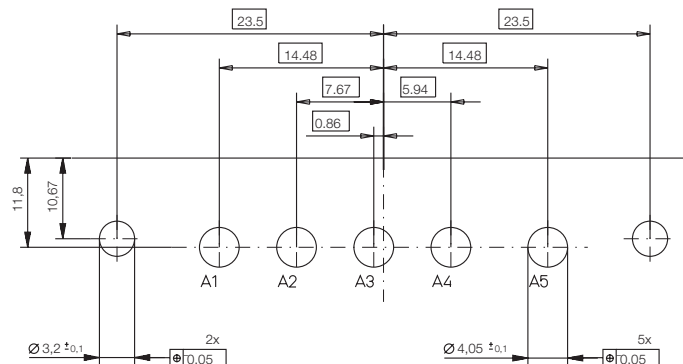
All dimensions in mm

Dimensional Drawing 3W3/3WK3, 5W5 and 8W8

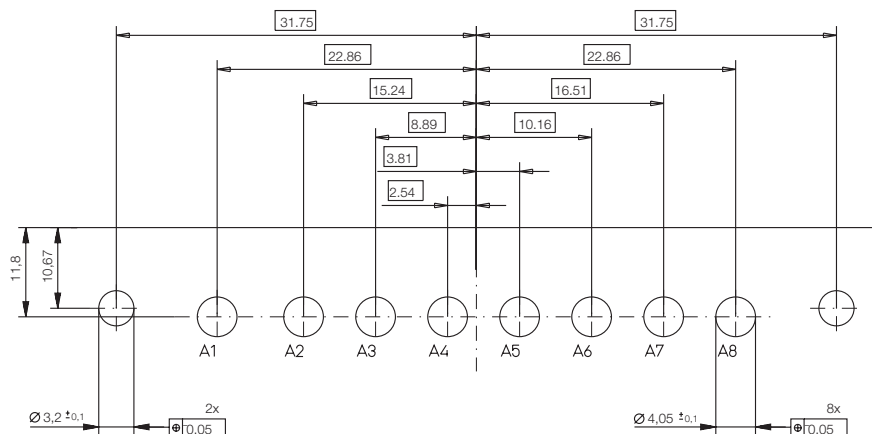
Leiterplatten-Bohrbild S 3W3, 3WK3
PC Board Hole Pattern S 3W3, 3WK3



Leiterplatten-Bohrbild S 5W5
PC Board Hole Pattern S 5W5



Leiterplatten-Bohrbild S 8W8
PC Board Hole Pattern S 8W8



All dimensions in mm

D-Sub Connectors

Right Angle Female High Current 3W3, 3WK3, 5W5, 8W8



Ordering Information

3W3 Versions

No. of Pins	Termination	Current	Assembly Height	Termination Length	Accessory Mating Side	Accessory Terminal Side	Packaging	Part Number
3W3	Solder	30 A	7.3 mm	3.7 mm	Riveted nut M3	Clip	Cardboard (25 pcs)	134468
3W3	Solder	30 A	7.3 mm	3.7 mm	Riveted nut 4-40 UNC	Clip	Cardboard (25 pcs)	134469

3WK3 Versions

No. of Pins	Termination	Current	Assembly Height	Termination Length	Accessory Mating Side	Accessory Terminal Side	Packaging	Part Number
3WK3	Solder	30 A	7.3 mm	3.7 mm	Riveted nut M3	Clip	Cardboard (25 pcs)	134470
3WK3	Solder	30 A	7.3 mm	3.7 mm	Riveted nut 4-40 UNC	Clip	Cardboard (25 pcs)	134471

5W5 Versions

No. of Pins	Termination	Current	Assembly Height	Termination Length	Accessory Mating Side	Accessory Terminal Side	Packaging	Part Number
5W5	Solder	30 A	7.3 mm	3.7 mm	Riveted nut M3	Clip	Cardboard (25 pcs)	134493
5W5	Solder	30 A	7.3 mm	3.7 mm	Riveted nut 4-40 UNC	Clip	Cardboard (25 pcs)	134494

8W8 Versions

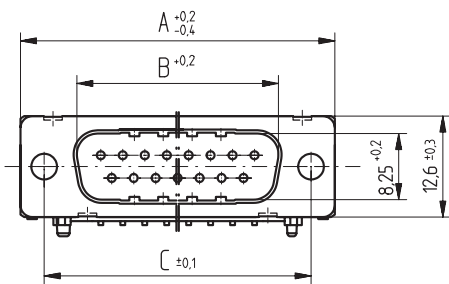
No. of Pins	Termination	Current	Assembly Height	Termination Length	Accessory Mating Side	Accessory Terminal Side	Packaging	Part Number
8W8	Solder	30 A	7.3 mm	3.7 mm	Riveted nut M3	Clip	Cardboard (25 pcs)	134495
8W8	Solder	30 A	7.3 mm	3.7 mm	Riveted nut 4-40 UNC	Clip	Cardboard (25 pcs)	134496

D-Sub Connectors

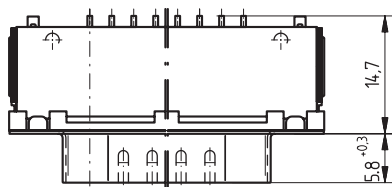
Right Angle Male



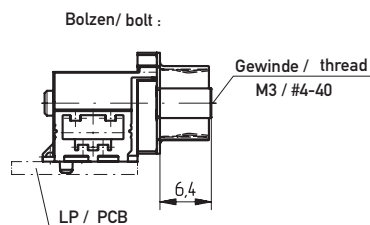
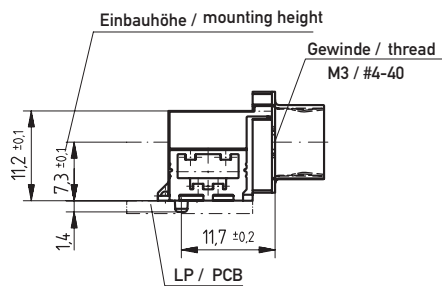
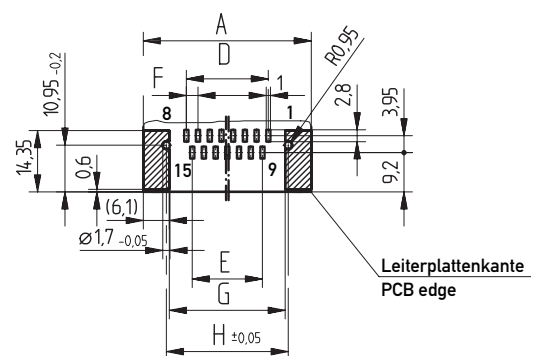
Dimensional Drawing SMT, Assembly Height 7.3 mm



9	31.0	16.8	25.0	10.96	8.22	2.74	18.8	20.2
15	39.3	25.1	33.3	19.18	16.44	2.74	27.1	28.5
25	53.0	38.9	47.0	33.12	30.36	2.76	40.8	42.2
37	69.5	55.3	63.5	49.68	46.92	2.76	57.3	58.7
Pohlzahl No. of contacts	A	B	C	D	E	F	G	H



Layout



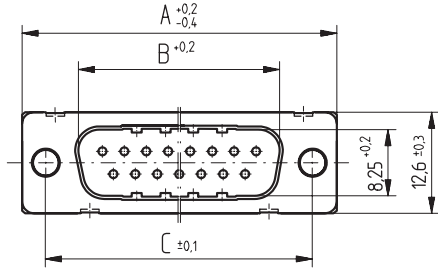
All dimensions in mm

D-Sub Connectors

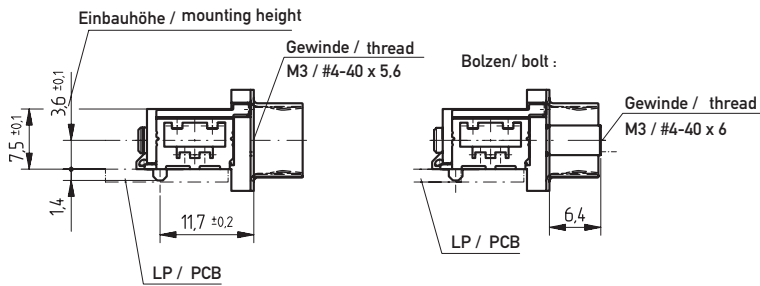
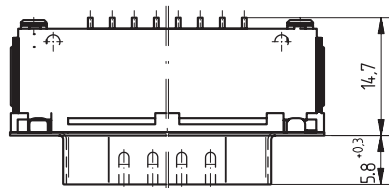
Right Angle Male



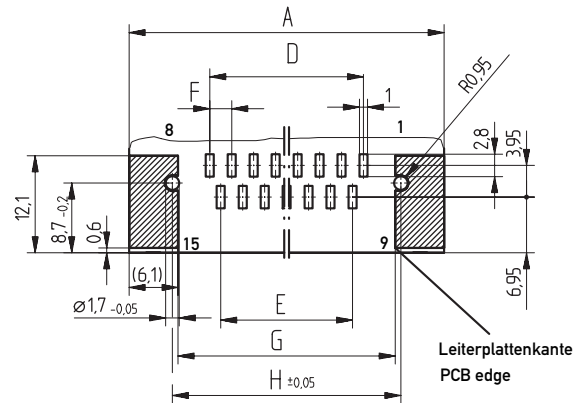
Dimensional Drawing SMT, Assembly Height 3.6 mm



9	31.0	16.8	25.0	10.96	8.22	2.74	18.8	20.2
15	39.3	25.1	33.3	19.18	16.44	2.74	27.1	28.5
25	53.0	38.9	47.0	33.12	30.36	2.76	40.8	42.2
37	69.5	55.3	63.5	49.68	46.92	2.76	57.3	58.7
Pohlzahl No. of contacts	A	B	C	D	E	F	G	H



Layout



Dimensional Drawing THR, Assembly Height 7.3 mm

Version 1

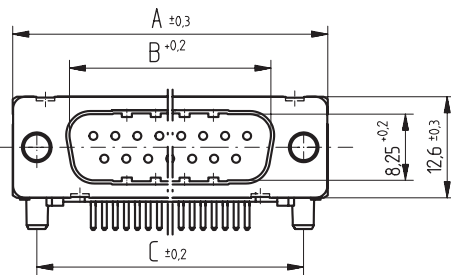
Bestückung kraftlos
without assembly force



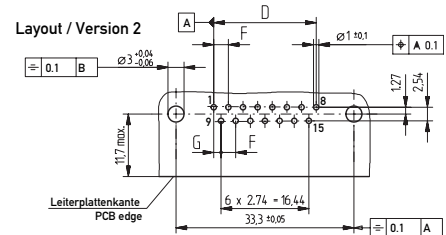
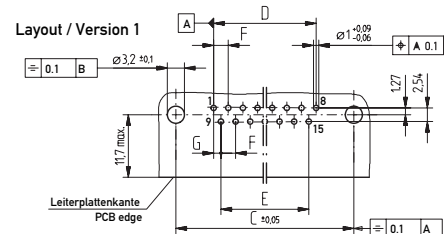
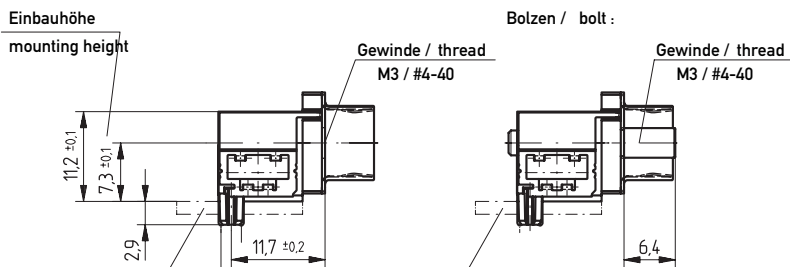
Ansicht X

Version 2

Bestückung mit Kraft
with assembly force

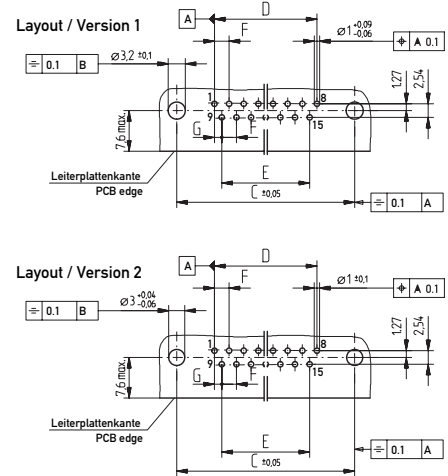
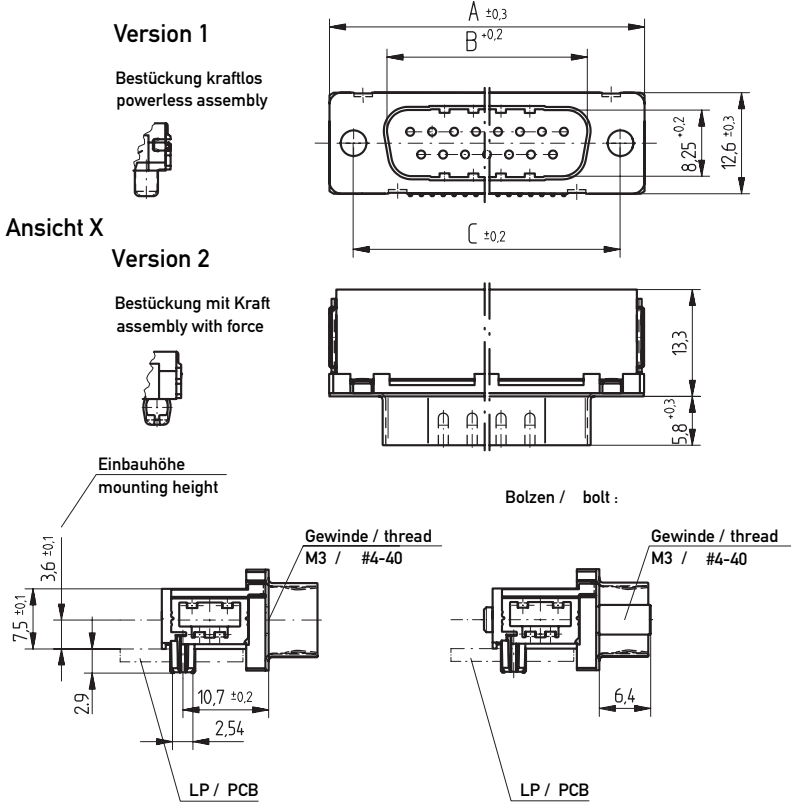


9	31.0	16.8	25.0	10.96	8.22	2.74	1.37
15	39.3	25.1	33.3	19.18	16.44	2.74	1.37
25	53.0	38.9	47.0	33.12	30.36	2.76	1.38
37	69.5	55.3	63.5	49.68	46.92	2.76	1.38
Pohlzahl No. of contacts	A	B	C	D	E	F	G

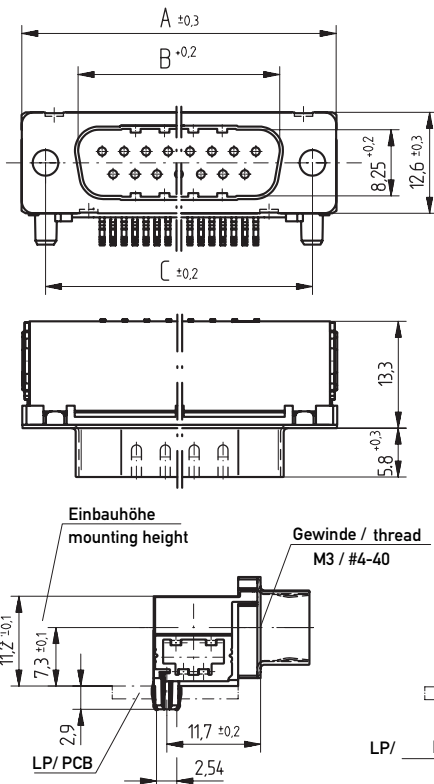


All dimensions in mm

Dimensional Drawing THR, Assembly Height 3.6 mm

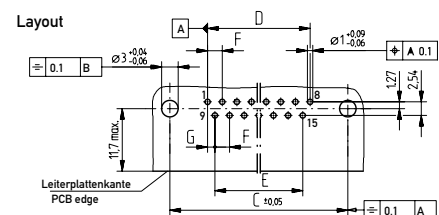


Dimensional Drawing Pressfit (Clip), Assembly Height 7.3 mm



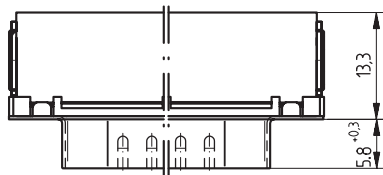
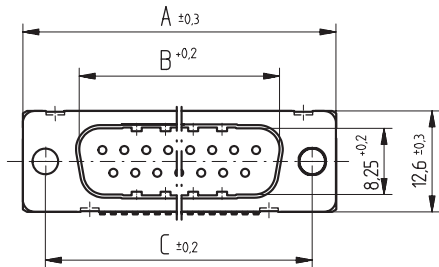
9	31.0	16.8	25.0	10.96	8.22	2.74	1.37
15	39.3	25.1	33.3	19.18	16.44	2.74	1.37
25	53.0	38.9	47.0	33.12	30.36	2.76	1.38
37	69.5	55.3	63.5	49.68	46.92	2.76	1.38
Pohlzahl No. of contacts	A	B	C	D	E	F	G

Metal plating of plated-through hole see drawing 164062
No. 6 + 12



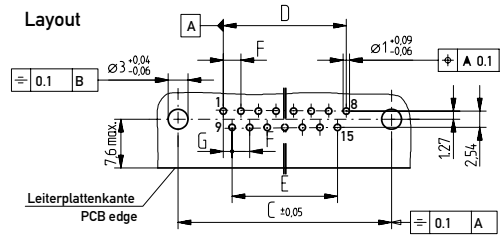
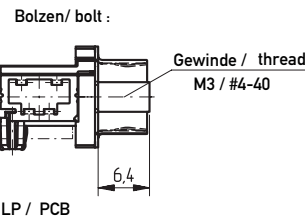
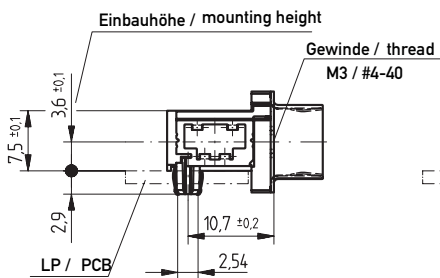
All dimensions in mm

Dimensional Drawing Pressfit (Clip), Assembly Height 3.6 mm

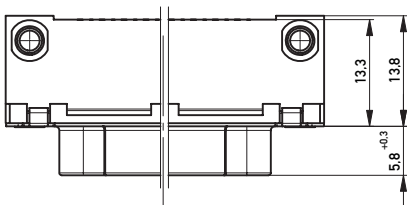
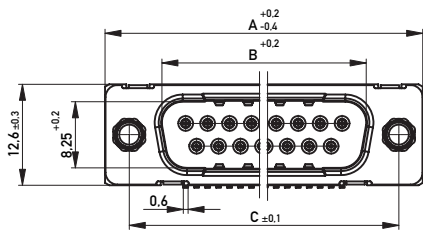


9	31.0	16.8	25.0	10.96	8.22	2.74	1.37
15	39.3	25.1	33.3	19.18	16.44	2.74	1.37
25	53.0	38.9	47.0	33.12	30.36	2.76	1.38
37	69.5	55.3	63.5	49.68	46.92	2.76	1.38
Pohlzahl No. of contacts	A	B	C	D	E	F	G

Metal plating of plated-through hole see drawing 164062
No. 6 + 12



Dimensional Drawing Pressfit (Screw), Assembly Height 3.6 mm



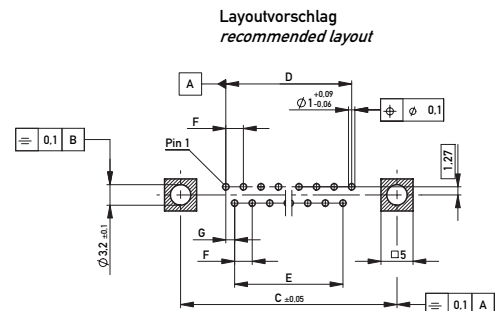
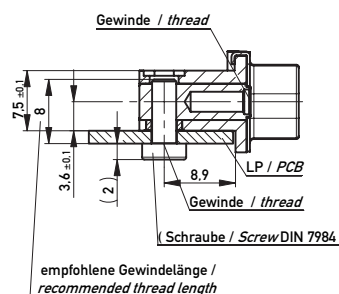
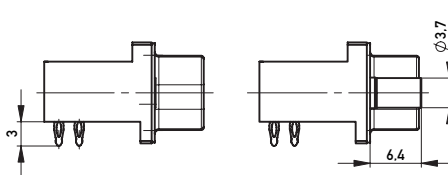
9	31.00	16.80	25.00	10.96	8.22	2.74	1.37
15	39.30	25.10	33.30	19.18	16.44	2.74	1.37
25	53.00	38.90	47.00	33.12	30.36	2.76	1.38
37	69.50	55.30	63.50	49.68	46.92	2.76	1.38
Pohlzahl No. of contacts	A	B	C	D	E	F	G

Metal plating of plated-through hole see drawing 164062
No. 6 + 12

Mutter / nut

Bolzen / bolt

Anwendungsbeispiel / example of use



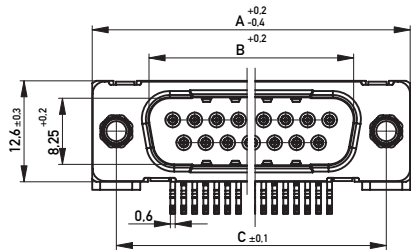
All dimensions in mm

D-Sub Connectors

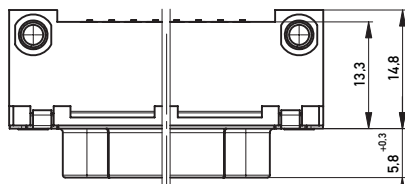
Right Angle Male



Dimensional Drawing Pressfit (Screw), Assembly Height 7.3 mm



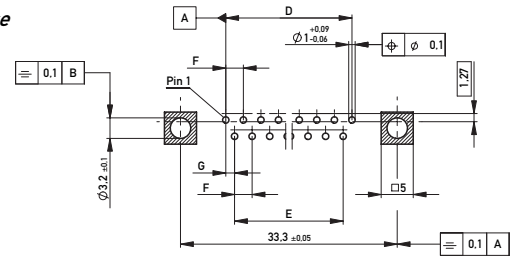
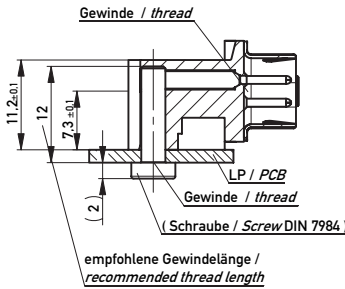
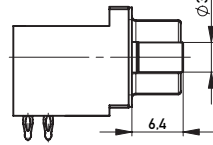
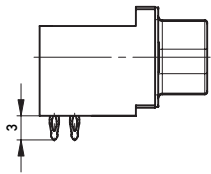
9	31.00	16.80	25.00	10.96	8.22	2.74	1.37
15	39.30	25.10	33.30	19.18	16.44	2.74	1.37
25	53.00	38.90	47.00	33.12	30.36	2.76	1.38
37	69.50	55.30	63.50	49.68	46.92	2.76	1.38
<i>Pohlzahl No. of contacts</i>	A	B	C	D	E	F	G



Mutter / nut

Bolzen / bolt

Anwendungsbeispiel / example of use



All dimensions in mm

D-Sub Connectors

Right Angle Male 9 Pin



Ordering Information

SMT Versions

No. of Pins	Termination	Assembly Height	Termination Length	Accessory Mating Side	Accessory Terminal Side	Packaging	Part Number
9	SMT	3.6 mm	–	Through Hole 3.2 mm	–	Tray (32 pcs)	174501
9	SMT	3.6 mm	–	Through Hole 3.2 mm	–	Tape & Reel (125 pcs)	214339
9	SMT	3.6 mm	–	Thread M3	–	Tray (32 pcs)	214639
9	SMT	3.6 mm	–	Thread 4-40 UNC	–	Tray (32 pcs)	204769
9	SMT	3.6 mm	–	Thread 4-40 UNC	–	Tape & Reel (125 pcs)	214776
9	SMT	3.6 mm	–	Threaded bolt M3	–	Tray (32 pcs)	154093
9	SMT	3.6 mm	–	Threaded bolt 4-40 UNC	–	Tray (32 pcs)	154094
9	SMT	7.3 mm	–	Through Hole 3.2 mm	–	Tray (32 pcs)	174416
9	SMT	7.3 mm	–	Through Hole 3.2 mm	–	Tape & Reel (75 pcs)	234940
9	SMT	7.3 mm	–	Thread M3	–	Tray (32 pcs)	154187
9	SMT	7.3 mm	–	Thread 4-40 UNC	–	Tray (32 pcs)	154188
9	SMT	7.3 mm	–	Thread 4-40 UNC	–	Tape & Reel (75 pcs)	223066
9	SMT	7.3 mm	–	Threaded bolt M3	–	Tray (32 pcs)	154189
9	SMT	7.3 mm	–	Threaded bolt 4-40 UNC	–	Tray (32 pcs)	154190

D-Sub Connectors

Right Angle Male 9 Pin



Ordering Information

THR Versions

No. of Pins	Termination	Assembly Height	Termination Length	Accessory Mating Side	Accessory Terminal Side	Packaging	Part Number
9	THR	3.6 mm	3.0 mm	Through Hole 3.2 mm	Clip with assembly force	Tray (32 pcs)	174408
9	THR	3.6 mm	3.0 mm	Through Hole 3.2 mm	Clip without assembly force	Tray (32 pcs)	204443
9	THR	3.6 mm	3.0 mm	Thread M3	Clip with assembly force	Tray (32 pcs)	154107
9	THR	3.6 mm	3.0 mm	Thread M3	Clip without assembly force	Tray (32 pcs)	204439
9	THR	3.6 mm	3.0 mm	Thread 4-40 UNC	Clip with assembly force	Tray (32 pcs)	154108
9	THR	3.6 mm	3.0 mm	Thread 4-40 UNC	Clip without assembly force	Tray (32 pcs)	204440
9	THR	3.6 mm	3.0 mm	Threaded bolt M3	Clip with assembly force	Tray (32 pcs)	154109
9	THR	3.6 mm	3.0 mm	Threaded bolt M3	Clip without assembly force	Tray (32 pcs)	204441
9	THR	3.6 mm	3.0 mm	Threaded bolt 4-40 UNC	Clip with assembly force	Tray (32 pcs)	154110
9	THR	3.6 mm	3.0 mm	Threaded bolt 4-40 UNC	Clip without assembly force	Tray (32 pcs)	204442
9	THR	3.6 mm	3.0 mm	Threaded bolt 4-40 UNC	Clip without assembly force	Tape & Reel (125 pcs)	223165

D-Sub Connectors

Right Angle Male 9 Pin



Ordering Information

THR Versions

No. of Pins	Termination	Assembly Height	Termination Length	Accessory Mating Side	Accessory Terminal Side	Packaging	Part Number
9	THR	7.3 mm	3.0 mm	Through Hole 3.2 mm	Clip with assembly force	Tray (32 pcs)	174420
9	THR	7.3 mm	3.0 mm	Through Hole 3.2 mm	Clip without assembly force	Tray (32 pcs)	204467
9	THR	7.3 mm	3.0 mm	Thread M3	Clip with assembly force	Tray (32 pcs)	154203
9	THR	7.3 mm	3.0 mm	Thread M3	Clip without assembly force	Tray (32 pcs)	204463
9	THR	7.3 mm	3.0 mm	Thread 4-40 UNC	Clip with assembly force	Tray (32 pcs)	154204
9	THR	7.3 mm	3.0 mm	Thread 4-40 UNC	Clip without assembly force	Tray (32 pcs)	204464
9	THR	7.3 mm	3.0 mm	Thread 4-40 UNC	Clip without assembly force	Tape & Reel (75 pcs)	224844
9	THR	7.3 mm	3.0 mm	Threaded bolt M3	Clip with assembly force	Tray (32 pcs)	154205
9	THR	7.3 mm	3.0 mm	Threaded bolt M3	Clip without assembly force	Tray (32 pcs)	204465
9	THR	7.3 mm	3.0 mm	Threaded bolt 4-40 UNC	Clip with assembly force	Tray (32 pcs)	154206
9	THR	7.3 mm	3.0 mm	Threaded bolt 4-40 UNC	Clip without assembly force	Tray (32 pcs)	204466

D-Sub Connectors

Right Angle Male 9 Pin



Ordering Information

Pressfit Versions

No. of Pins	Termination	Assembly Height	Termination Length	Accessory Mating Side	Accessory Terminal Side	Packaging	Part Number
9	Pressfit	3.6 mm	3.0 mm	Through Hole 3.2 mm	Clip	Tray (32 pcs)	174412
9	Pressfit	3.6 mm	3.0 mm	Thread M3	Clip	Tray (32 pcs)	154123
9	Pressfit	3.6 mm	3.0 mm	Thread 4-40 UNC	Clip	Tray (32 pcs)	154124
9	Pressfit	3.6 mm	3.0 mm	Threaded bolt M3	Clip	Tray (32 pcs)	154125
9	Pressfit	3.6 mm	3.0 mm	Threaded bolt 4-40 UNC	Clip	Tray (32 pcs)	154126
9	Pressfit	7.3 mm	3.0 mm	Through Hole 3.2 mm	Clip	Tray (32 pcs)	174424
9	Pressfit	7.3 mm	3.0 mm	Thread M3	Clip	Tray (32 pcs)	154219
9	Pressfit	7.3 mm	3.0 mm	Thread 4-40 UNC	Clip	Tray (32 pcs)	154220
9	Pressfit	7.3 mm	3.0 mm	Threaded bolt M3	Clip	Tray (32 pcs)	154221
9	Pressfit	7.3 mm	3.0 mm	Threaded bolt 4-40 UNC	Clip	Tray (32 pcs)	154222
9	Pressfit	3.6 mm	3.0 mm	Thread M3	Screw M3	Tray (32 pcs)	284488
9	Pressfit	3.6 mm	3.0 mm	Thread 4-40 UNC	Screw 4-40 UNC	Tray (32 pcs)	284489
9	Pressfit	3.6 mm	3.0 mm	Threaded bolt 4-40 UNC	Screw 4-40 UNC	Tray (32 pcs)	284490
9	Pressfit	7.3 mm	3.0 mm	Thread 4-40 UNC	Screw 4-40 UNC	Tray (32 pcs)	284500
9	Pressfit	7.3 mm	3.0 mm	Threaded bolt 4-40 UNC	Screw 4-40 UNC	Tray (32 pcs)	284501
9	Pressfit	7.3 mm	3.0 mm	Threaded bolt 4-40 UNC	Screw M3	Tray (32 pcs)	284502

D-Sub Connectors

Right Angle Male 15 Pin



Ordering Information

SMT Versions

No. of Pins	Termination	Assembly Height	Termination Length	Accessory Mating Side	Accessory Terminal Side	Packaging	Part Number
15	SMT	3.6 mm	–	Through Hole 3.2 mm	–	Tray (24 pcs)	174405
15	SMT	3.6 mm	–	Thread M3	–	Tray (24 pcs)	214640
15	SMT	3.6 mm	–	Thread 4-40 UNC	–	Tray (24 pcs)	204770
15	SMT	3.6 mm	–	Threaded bolt M3	–	Tray (24 pcs)	154097
15	SMT	3.6 mm	–	Threaded bolt 4-40 UNC	–	Tray (24 pcs)	154098
15	SMT	7.3 mm	–	Through Hole 3.2 mm	–	Tray (24 pcs)	174417
15	SMT	7.3 mm	–	Thread M3	–	Tray (24 pcs)	154191
15	SMT	7.3 mm	–	Thread 4-40 UNC	–	Tray (24 pcs)	154192
15	SMT	7.3 mm	–	Threaded bolt M3	–	Tray (24 pcs)	154193
15	SMT	7.3 mm	–	Threaded bolt 4-40 UNC	–	Tray (24 pcs)	154194
15	SMT	7.3 mm	–	Threaded bolt 4-40 UNC	–	Tape & Reel (75 pcs)	174990

D-Sub Connectors

Right Angle Male 15 Pin



Ordering Information

THR Versions

No. of Pins	Termination	Assembly Height	Termination Length	Accessory Mating Side	Accessory Terminal Side	Packaging	Part Number
15	THR	3.6 mm	3.0 mm	Through Hole 3.2 mm	Clip with assembly force	Tray (24 pcs)	174409
15	THR	3.6 mm	3.0 mm	Through Hole 3.2 mm	Clip without assembly force	Tray (24 pcs)	204449
15	THR	3.6 mm	3.0 mm	Thread M3	Clip with assembly force	Tray (24 pcs)	154111
15	THR	3.6 mm	3.0 mm	Thread M3	Clip without assembly force	Tray (24 pcs)	204445
15	THR	3.6 mm	3.0 mm	Thread 4-40 UNC	Clip with assembly force	Tray (24 pcs)	154112
15	THR	3.6 mm	3.0 mm	Thread 4-40 UNC	Clip without assembly force	Tray (24 pcs)	204446
15	THR	3.6 mm	3.0 mm	Threaded bolt M3	Clip with assembly force	Tray (24 pcs)	154113
15	THR	3.6 mm	3.0 mm	Threaded bolt M3	Clip without assembly force	Tray (24 pcs)	204447
15	THR	3.6 mm	3.0 mm	Threaded bolt 4-40 UNC	Clip with assembly force	Tray (24 pcs)	154114
15	THR	3.6 mm	3.0 mm	Threaded bolt 4-40 UNC	Clip without assembly force	Tray (24 pcs)	204448

D-Sub Connectors

Right Angle Male 15 Pin



Ordering Information

No. of Pins	Termination	Assembly Height	Termination Length	Accessory Mating Side	Accessory Terminal Side	Packaging	Part Number
15	THR	7.3 mm	3.0 mm	Through Hole 3.2 mm	Clip with assembly force	Tray (24 pcs)	174421
15	THR	7.3 mm	3.0 mm	Through Hole 3.2 mm	Clip without assembly force	Tray (24 pcs)	204473
15	THR	7.3 mm	3.0 mm	Thread M3	Clip with assembly force	Tray (24 pcs)	154207
15	THR	7.3 mm	3.0 mm	Thread M3	Clip without assembly force	Tray (24 pcs)	204469
15	THR	7.3 mm	3.0 mm	Thread 4-40 UNC	Clip with assembly force	Tray (24 pcs)	154208
15	THR	7.3 mm	3.0 mm	Thread 4-40 UNC	Clip without assembly force	Tray (24 pcs)	204470
15	THR	7.3 mm	3.0 mm	Threaded bolt M3	Clip with assembly force	Tray (24 pcs)	154209
15	THR	7.3 mm	3.0 mm	Threaded bolt M3	Clip without assembly force	Tray (24 pcs)	204471
15	THR	7.3 mm	3.0 mm	Threaded bolt 4-40 UNC	Clip with assembly force	Tray (24 pcs)	154210
15	THR	7.3 mm	3.0 mm	Threaded bolt 4-40 UNC	Clip without assembly force	Tray (24 pcs)	204472

D-Sub Connectors

Right Angle Male 15 Pin



Ordering Information

Pressfit Versions

No. of Pins	Termination	Assembly Height	Termination Length	Accessory Mating Side	Accessory Terminal Side	Packaging	Part Number
15	Pressfit	3.6 mm	3.0 mm	Through Hole 3.2 mm	Clip	Tray (24 pcs)	174413
15	Pressfit	3.6 mm	3.0 mm	Thread M3	Clip	Tray (24 pcs)	154127
15	Pressfit	3.6 mm	3.0 mm	Thread 4-40 UNC	Clip	Tray (24 pcs)	154128
15	Pressfit	3.6 mm	3.0 mm	Threaded bolt M3	Clip	Tray (24 pcs)	154129
15	Pressfit	3.6 mm	3.0 mm	Threaded bolt 4-40 UNC	Clip	Tray (24 pcs)	154130
15	Pressfit	7.3 mm	3.0 mm	Through Hole 3.2 mm	Clip	Tray (24 pcs)	174425
15	Pressfit	7.3 mm	3.0 mm	Thread M3	Clip	Tray (24 pcs)	154223
15	Pressfit	7.3 mm	3.0 mm	Thread 4-40 UNC	Clip	Tray (24 pcs)	154224
15	Pressfit	7.3 mm	3.0 mm	Threaded bolt M3	Clip	Tray (24 pcs)	154225
15	Pressfit	7.3 mm	3.0 mm	Threaded bolt 4-40 UNC	Clip	Tray (24 pcs)	154226
15	Pressfit	3.6 mm	3.0 mm	Thread M3	Screw M3	Tray (24 pcs)	284491
15	Pressfit	3.6 mm	3.0 mm	Thread 4-40 UNC	Screw 4-40 UNC	Tray (24 pcs)	284492
15	Pressfit	3.6 mm	3.0 mm	Threaded bolt 4-40 UNC	Screw 4-40 UNC	Tray (24 pcs)	284493
15	Pressfit	7.3 mm	3.0 mm	Thread 4-40 UNC	Screw 4-40 UNC	Tray (24 pcs)	284503
15	Pressfit	7.3 mm	3.0 mm	Threaded bolt 4-40 UNC	Screw 4-40 UNC	Tray (24 pcs)	284504
15	Pressfit	7.3 mm	3.0 mm	Threaded bolt 4-40 UNC	Screw M3	Tray (24 pcs)	284505

D-Sub Connectors

Right Angle Male 25 Pin



Ordering Information

SMT Versions

No. of Pins	Termination	Assembly Height	Termination Length	Accessory Mating Side	Accessory Terminal Side	Packaging	Part Number
25	SMT	3.6 mm	–	Through Hole 3.2 mm	–	Tray (20 pcs)	174406
25	SMT	3.6 mm	–	Thread M3	–	Tray (20 pcs)	214641
25	SMT	3.6 mm	–	Thread 4-40 UNC	–	Tray (20 pcs)	204771
25	SMT	3.6 mm	–	Threaded bolt M3	–	Tray (20 pcs)	154101
25	SMT	3.6 mm	–	Threaded bolt 4-40 UNC	–	Tray (20 pcs)	154102
25	SMT	7.3 mm	–	Through Hole 3.2 mm	–	Tray (20 pcs)	174418
25	SMT	7.3 mm	–	Through Hole 3.2 mm	–	Tape & Reel (75 pcs)	234942
25	SMT	7.3 mm	–	Thread M3	–	Tray (20 pcs)	154195
25	SMT	7.3 mm	–	Thread 4-40 UNC	–	Tray (20 pcs)	154196
25	SMT	7.3 mm	–	Threaded bolt M3	–	Tray (20 pcs)	154197
25	SMT	7.3 mm	–	Threaded bolt 4-40 UNC	–	Tray (20 pcs)	154198

D-Sub Connectors

Right Angle Male 25 Pin



Ordering Information

THR Versions

No. of Pins	Termination	Assembly Height	Termination Length	Accessory Mating Side	Accessory Terminal Side	Packaging	Part Number
25	THR	3.6 mm	3.0 mm	Through Hole 3.2 mm	Clip with assembly force	Tray (20 pcs)	174410
25	THR	3.6 mm	3.0 mm	Through Hole 3.2 mm	Clip without assembly force	Tray (20 pcs)	204455
25	THR	3.6 mm	3.0 mm	Thread M3	Clip with assembly force	Tray (20 pcs)	154115
25	THR	3.6 mm	3.0 mm	Thread M3	Clip without assembly force	Tray (20 pcs)	204451
25	THR	3.6 mm	3.0 mm	Thread 4-40 UNC	Clip with assembly force	Tray (20 pcs)	154116
25	THR	3.6 mm	3.0 mm	Thread 4-40 UNC	Clip without assembly force	Tray (20 pcs)	204452
25	THR	3.6 mm	3.0 mm	Threaded bolt M3	Clip with assembly force	Tray (20 pcs)	154117
25	THR	3.6 mm	3.0 mm	Threaded bolt M3	Clip without assembly force	Tray (20 pcs)	204453
25	THR	3.6 mm	3.0 mm	Threaded bolt 4-40 UNC	Clip with assembly force	Tray (20 pcs)	154118
25	THR	3.6 mm	3.0 mm	Threaded bolt 4-40 UNC	Clip without assembly force	Tray (20 pcs)	204454

D-Sub Connectors

Right Angle Male 25 Pin



Ordering Information

THR Versions

No. of Pins	Termination	Assembly Height	Termination Length	Accessory Mating Side	Accessory Terminal Side	Packaging	Part Number
25	THR	7.3 mm	3.0 mm	Through Hole 3.2 mm	Clip with assembly force	Tray (20 pcs)	174422
25	THR	7.3 mm	3.0 mm	Through Hole 3.2 mm	Clip without assembly force	Tray (20 pcs)	204479
25	THR	7.3 mm	3.0 mm	Thread M3	Clip with assembly force	Tray (20 pcs)	154211
25	THR	7.3 mm	3.0 mm	Thread M3	Clip without assembly force	Tray (20 pcs)	204475
25	THR	7.3 mm	3.0 mm	Thread M3	Clip without assembly force	Tape & Reel (75 pcs)	254307
25	THR	7.3 mm	3.0 mm	Thread 4-40 UNC	Clip with assembly force	Tray (20 pcs)	154212
25	THR	7.3 mm	3.0 mm	Thread 4-40 UNC	Clip without assembly force	Tray (20 pcs)	204476
25	THR	7.3 mm	3.0 mm	Threaded bolt M3	Clip with assembly force	Tray (20 pcs)	154213
25	THR	7.3 mm	3.0 mm	Threaded bolt M3	Clip without assembly force	Tray (20 pcs)	204477
25	THR	7.3 mm	3.0 mm	Threaded bolt 4-40 UNC	Clip with assembly force	Tray (20 pcs)	154214
25	THR	7.3 mm	3.0 mm	Threaded bolt 4-40 UNC	Clip without assembly force	Tray (20 pcs)	204478

D-Sub Connectors

Right Angle Male 25 Pin



Ordering Information

Pressfit Versions

No. of Pins	Termination	Assembly Height	Termination Length	Accessory Mating Side	Accessory Terminal Side	Packaging	Part Number
25	Pressfit	3.6 mm	3.0 mm	Through Hole 3.2 mm	Clip	Tray (20 pcs)	174414
25	Pressfit	3.6 mm	3.0 mm	Thread M3	Clip	Tray (20 pcs)	154131
25	Pressfit	3.6 mm	3.0 mm	Thread 4-40 UNC	Clip	Tray (20 pcs)	154132
25	Pressfit	3.6 mm	3.0 mm	Threaded bolt M3	Clip	Tray (20 pcs)	154133
25	Pressfit	3.6 mm	3.0 mm	Threaded bolt 4-40 UNC	Clip	Tray (20 pcs)	154134
25	Pressfit	7.3 mm	3.0 mm	Through Hole 3.2 mm	Clip	Tray (20 pcs)	174426
25	Pressfit	7.3 mm	3.0 mm	Thread M3	Clip	Tray (20 pcs)	154227
25	Pressfit	7.3 mm	3.0 mm	Thread 4-40 UNC	Clip	Tray (20 pcs)	154228
25	Pressfit	7.3 mm	3.0 mm	Threaded bolt M3	Clip	Tray (20 pcs)	154229
25	Pressfit	7.3 mm	3.0 mm	Threaded bolt 4-40 UNC	Clip	Tray (20 pcs)	154230
25	Pressfit	3.6 mm	3.0 mm	Thread M3	Screw M3	Tray (20 pcs)	284494
25	Pressfit	3.6 mm	3.0 mm	Thread 4-40 UNC	Screw 4-40 UNC	Tray (20 pcs)	284495
25	Pressfit	3.6 mm	3.0 mm	Threaded bolt 4-40 UNC	Screw 4-40 UNC	Tray (20 pcs)	284496
25	Pressfit	7.3 mm	3.0 mm	Thread 4-40 UNC	Screw 4-40 UNC	Tray (20 pcs)	284506
25	Pressfit	7.3 mm	3.0 mm	Threaded bolt 4-40 UNC	Screw 4-40 UNC	Tray (20 pcs)	284507
25	Pressfit	7.3 mm	3.0 mm	Threaded bolt 4-40 UNC	Screw M3	Tray (20 pcs)	284508

D-Sub Connectors

Right Angel Male 37 Pin



Ordering Information

SMT Versions

No. of Pins	Termination	Assembly Height	Termination Length	Accessory Mating Side	Accessory Terminal Side	Packaging	Part Number
37	SMT	3.6 mm	–	Through Hole 3.2 mm	–	Tray (16 pcs)	174407
37	SMT	3.6 mm	–	Thread M3	–	Tray (16 pcs)	214642
37	SMT	3.6 mm	–	Thread 4-40 UNC	–	Tray (16 pcs)	204772
37	SMT	3.6 mm	–	Threaded bolt M3	–	Tray (16 pcs)	154105
37	SMT	3.6 mm	–	Threaded bolt 4-40 UNC	–	Tray (16 pcs)	154106
37	SMT	7.3 mm	–	Through Hole 3.2 mm	–	Tray (16 pcs)	174419
37	SMT	7.3 mm	–	Thread M3	–	Tray (16 pcs)	154199
37	SMT	7.3 mm	–	Thread 4-40 UNC	–	Tray (16 pcs)	154200
37	SMT	7.3 mm	–	Threaded bolt M3	–	Tray (16 pcs)	154201
37	SMT	7.3 mm	–	Threaded bolt 4-40 UNC	–	Tray (16 pcs)	154202

D-Sub Connectors

Right Angel Male 37 Pin



Ordering Information

THR Versions

No. of Pins	Termination	Assembly Height	Termination Length	Accessory Mating Side	Accessory Terminal Side	Packaging	Part Number
37	THR	3.6 mm	3.0 mm	Through Hole 3.2 mm	Clip with assembly force	Tray (16 pcs)	174411
37	THR	3.6 mm	3.0 mm	Through Hole 3.2 mm	Clip without assembly force	Tray (16 pcs)	204461
37	THR	3.6 mm	3.0 mm	Thread M3	Clip with assembly force	Tray (16 pcs)	154119
37	THR	3.6 mm	3.0 mm	Thread M3	Clip without assembly force	Tray (16 pcs)	204457
37	THR	3.6 mm	3.0 mm	Thread 4-40 UNC	Clip with assembly force	Tray (16 pcs)	154120
37	THR	3.6 mm	3.0 mm	Thread 4-40 UNC	Clip without assembly force	Tray (16 pcs)	204458
37	THR	3.6 mm	3.0 mm	Threaded bolt M3	Clip with assembly force	Tray (16 pcs)	154121
37	THR	3.6 mm	3.0 mm	Threaded bolt M3	Clip without assembly force	Tray (16 pcs)	204459
37	THR	3.6 mm	3.0 mm	Threaded bolt 4-40 UNC	Clip with assembly force	Tray (16 pcs)	154122
37	THR	3.6 mm	3.0 mm	Threaded bolt 4-40 UNC	Clip without assembly force	Tray (16 pcs)	204460

D-Sub Connectors

Right Angel Male 37 Pin



Ordering Information

THR Versions

No. of Pins	Termination	Assembly Height	Termination Length	Accessory Mating Side	Accessory Terminal Side	Packaging	Part Number
37	THR	7.3 mm	3.0 mm	Through Hole 3.2 mm	Clip with assembly force	Tray (16 pcs)	174423
37	THR	7.3 mm	3.0 mm	Through Hole 3.2 mm	Clip without assembly force	Tray (16 pcs)	204485
37	THR	7.3 mm	3.0 mm	Thread M3	Clip with assembly force	Tray (16 pcs)	154215
37	THR	7.3 mm	3.0 mm	Thread M3	Clip without assembly force	Tray (16 pcs)	204481
37	THR	7.3 mm	3.0 mm	Thread 4-40 UNC	Clip with assembly force	Tray (16 pcs)	154216
37	THR	7.3 mm	3.0 mm	Thread 4-40 UNC	Clip without assembly force	Tray (16 pcs)	204482
37	THR	7.3 mm	3.0 mm	Threaded bolt M3	Clip with assembly force	Tray (16 pcs)	154217
37	THR	7.3 mm	3.0 mm	Threaded bolt M3	Clip without assembly force	Tray (16 pcs)	204483
37	THR	7.3 mm	3.0 mm	Threaded bolt 4-40 UNC	Clip with assembly force	Tray (16 pcs)	154218
37	THR	7.3 mm	3.0 mm	Threaded bolt 4-40 UNC	Clip without assembly force	Tray (16 pcs)	204484

D-Sub Connectors

Right Angel Male 37 Pin



Ordering Information

Pressfit Versions

No. of Pins	Termination	Assembly Height	Termination Length	Accessory Mating Side	Accessory Terminal Side	Packaging	Part Number
37	Pressfit	3.6 mm	3.0 mm	Through Hole 3.2 mm	Clip	Tray (16 pcs)	174415
37	Pressfit	3.6 mm	3.0 mm	Thread M3	Clip	Tray (16 pcs)	154135
37	Pressfit	3.6 mm	3.0 mm	Thread 4-40 UNC	Clip	Tray (16 pcs)	154136
37	Pressfit	3.6 mm	3.0 mm	Threaded bolt M3	Clip	Tray (16 pcs)	154137
37	Pressfit	3.6 mm	3.0 mm	Threaded bolt 4-40 UNC	Clip	Tray (16 pcs)	154138
37	Pressfit	7.3 mm	3.0 mm	Through Hole 3.2 mm	Clip	Tray (16 pcs)	174427
37	Pressfit	7.3 mm	3.0 mm	Thread M3	Clip	Tray (16 pcs)	154231
37	Pressfit	7.3 mm	3.0 mm	Thread 4-40 UNC	Clip	Tray (16 pcs)	154232
37	Pressfit	7.3 mm	3.0 mm	Threaded bolt M3	Clip	Tray (16 pcs)	154233
37	Pressfit	7.3 mm	3.0 mm	Threaded bolt 4-40 UNC	Clip	Tray (16 pcs)	154234
37	Pressfit	3.6 mm	3.0 mm	Thread M3	Screw M3	Tray (16 pcs)	284497
37	Pressfit	3.6 mm	3.0 mm	Thread 4-40 UNC	Screw 4-40 UNC	Tray (16 pcs)	284498
37	Pressfit	3.6 mm	3.0 mm	Threaded bolt 4-40 UNC	Screw 4-40 UNC	Tray (16 pcs)	284499
37	Pressfit	7.3 mm	3.0 mm	Thread 4-40 UNC	Screw 4-40 UNC	Tray (16 pcs)	284509
37	Pressfit	7.3 mm	3.0 mm	Threaded bolt 4-40 UNC	Screw M3	Tray (16 pcs)	284511
37	Pressfit	7.3 mm	3.0 mm	Threaded bolt 4-40 UNC	Screw 4-40 UNC	Tray (16 pcs)	284510

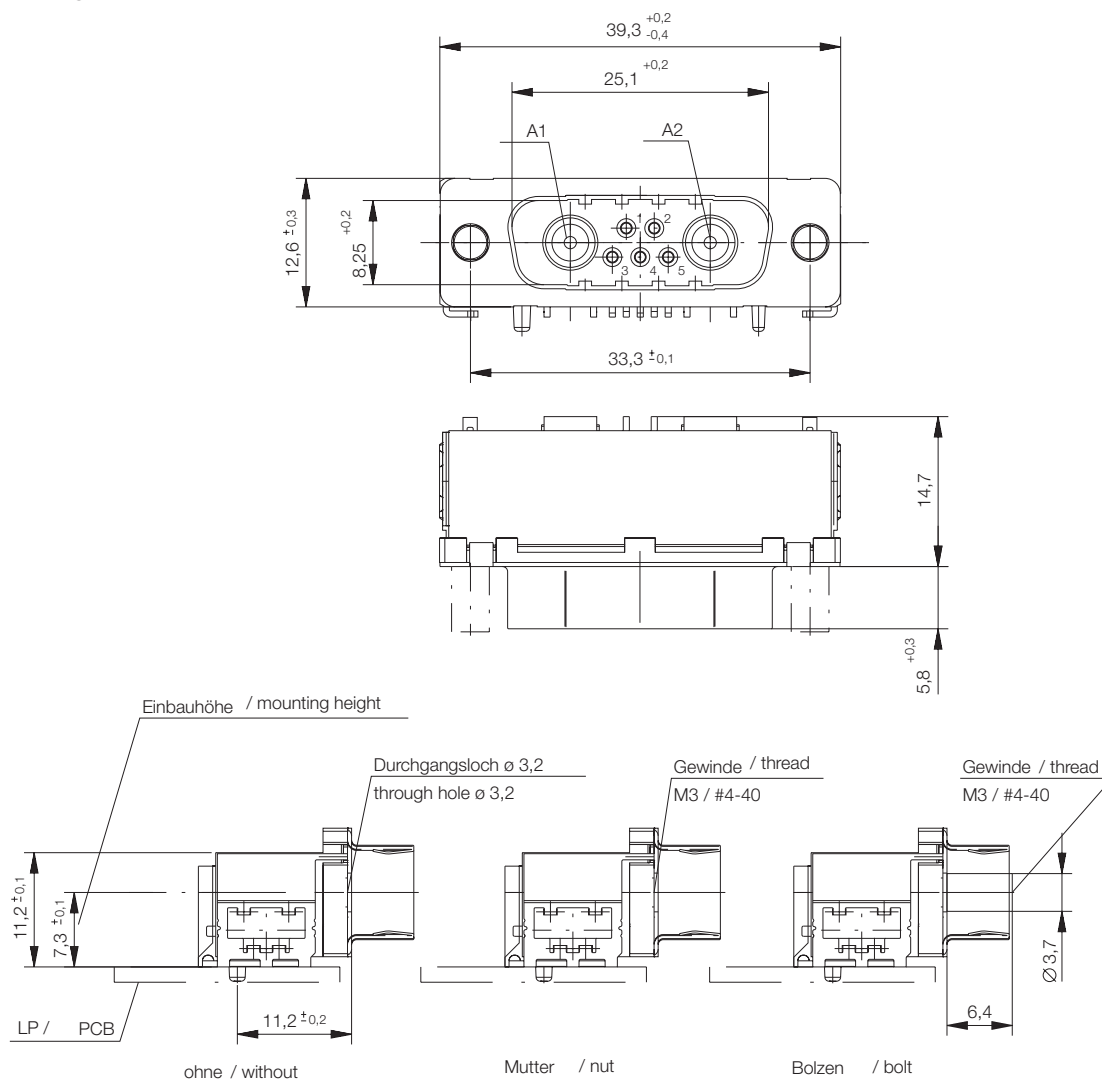
D-Sub Connectors

Right Angle Male High Current 7W2, 3W3, 3WK3



Versions with stamped high current contacts

Dimensional Drawing 7W2 SMT, THR and Pressfit Versions, Assembly Height 7.3 mm



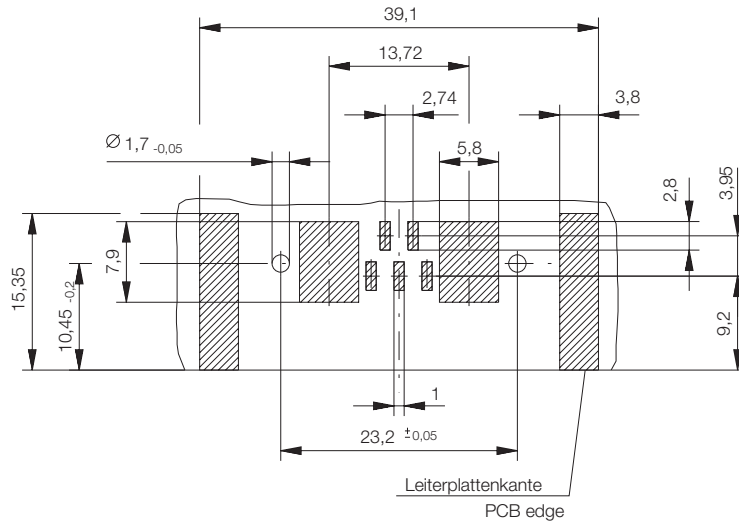
All dimensions in mm

D-Sub Connectors

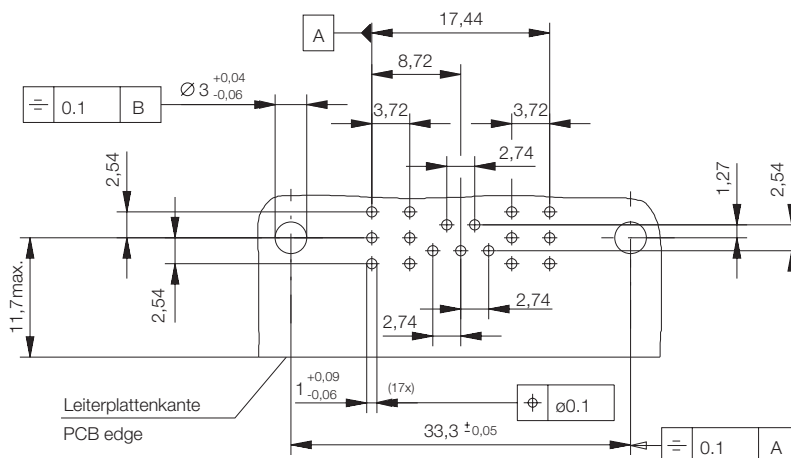
Right Angle Male High Current 7W2, 3W3, 3WK3



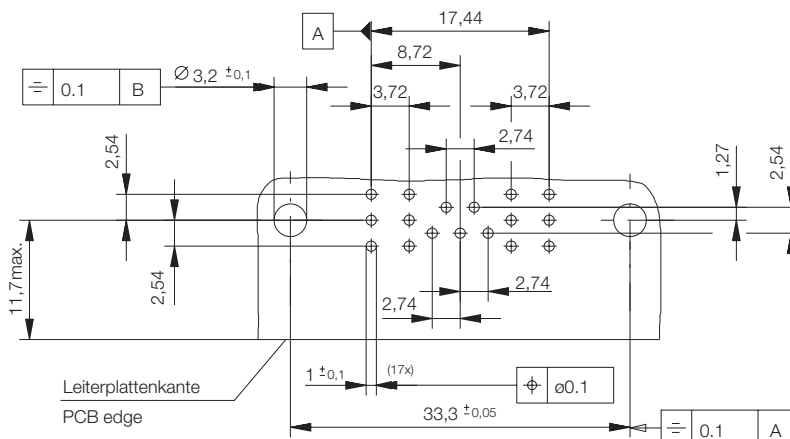
Dimensional Drawing 7W2 SMT



Dimensional Drawing 7W2 THR



Dimensional Drawing 7W2 Pressfit



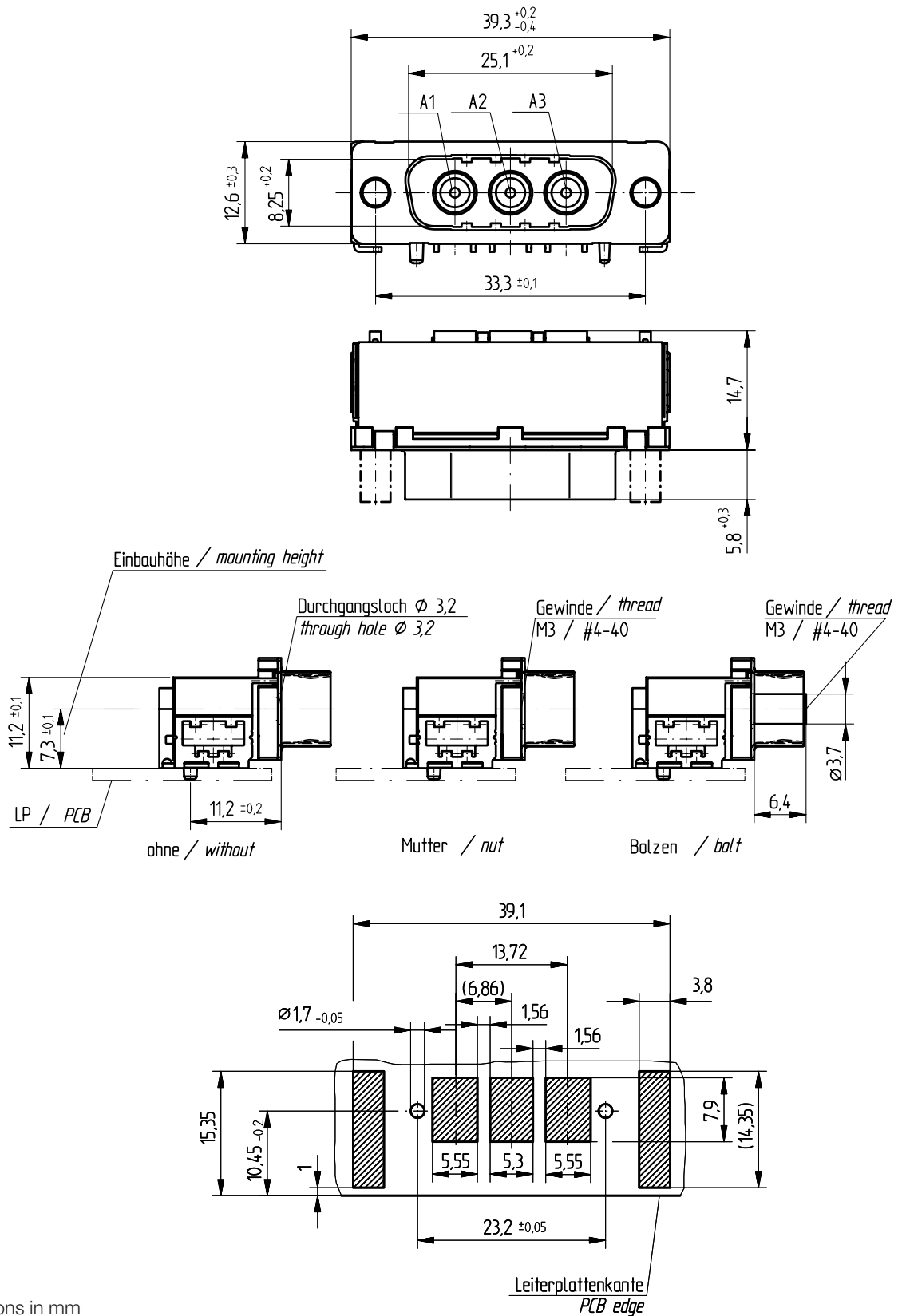
All dimensions in mm

D-Sub Connectors

Right Angle Male High Current 7W2, 3W3, 3WK3



Dimensional Drawing 3W3, 3WK3 SMT



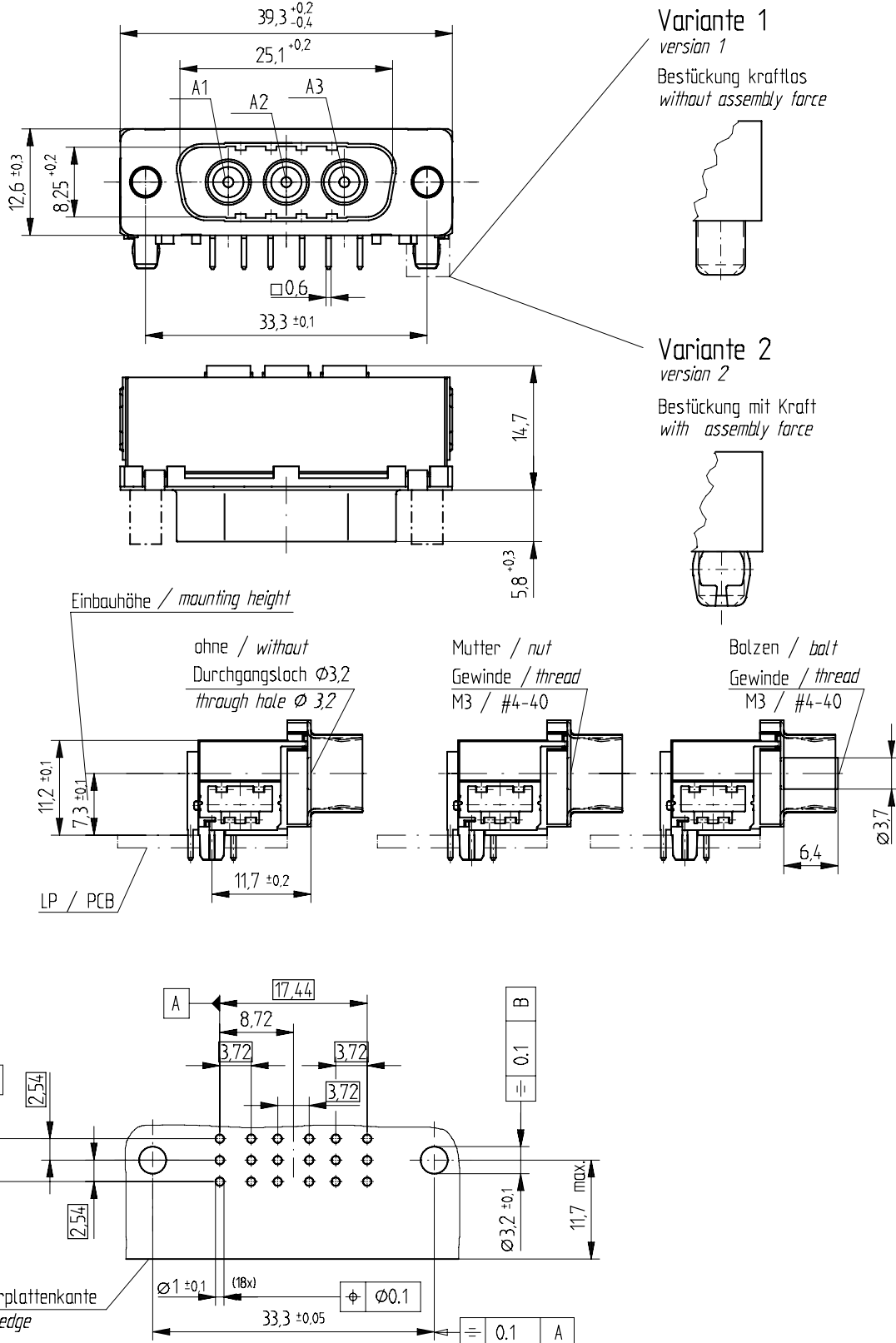
All dimensions in mm

D-Sub Connectors

Right Angle Male High Current 7W2, 3W3, 3WK3



Dimensional Drawing 3W3, 3WK3 THR



All dimensions in mm

D-Sub Connectors

Right Angle Male High Current 7W2



Ordering Information

SMT Versions

No. of Pins	Termination	Current	Assembly Height	Termination Length	Accessory Mating Side	Accessory Terminal Side	Packaging	Part Number
7W2	SMT	25 A	7.3 mm	–	Through Hole 3.2 mm	–	Tape & Reel (75 pcs)	224330
7W2	SMT	25 A	7.3 mm	–	Thread M3	–	Tape & Reel (75 pcs)	224334
7W2	SMT	25 A	7.3 mm	–	Thread 4-40 UNC	–	Tape & Reel (75 pcs)	224333
7W2	SMT	25 A	7.3 mm	–	Threaded bolt M3	–	Tape & Reel (75 pcs)	224332
7W2	SMT	25 A	7.3 mm	–	Threaded bolt 4-40 UNC	–	Tape & Reel (75 pcs)	224331

D-Sub Connectors

Right Angle Male High Current 7W2



Ordering Information

THR Versions

No. of Pins	Termination	Current	Assembly Height	Termination Length	Accessory Mating Side	Accessory Terminal Side	Packaging	Part Number
7W2	THR	25 A	7.3 mm	3.0 mm	Through Hole 3.2 mm	Clip with assembly force	Tray (24 pcs)	224357
7W2	THR	25 A	7.3 mm	3.0 mm	Thread M3	Clip with assembly force	Tray (24 pcs)	224361
7W2	THR	25 A	7.3 mm	3.0 mm	Thread 4-40 UNC	Clip with assembly force	Tray (24 pcs)	224360
7W2	THR	25 A	7.3 mm	3.0 mm	Threaded bolt M3	Clip with assembly force	Tray (24 pcs)	224359
7W2	THR	25 A	7.3 mm	3.0 mm	Threaded bolt 4-40 UNC	Clip with assembly force	Tray (24 pcs)	224358

D-Sub Connectors

Right Angle Male High Current 7W2



Ordering Information

Pressfit Versions

No. of Pins	Termination	Current	Assembly Height	Termination Length	Accessory Mating Side	Accessory Terminal Side	Packaging	Part Number
7W2	Pressfit	25 A	7.3 mm	3.0 mm	Through Hole 3.2 mm	Clip	Tray (24 pcs)	224341
7W2	Pressfit	25 A	7.3 mm	3.0 mm	Thread M3	Clip	Tray (24 pcs)	224345
7W2	Pressfit	25 A	7.3 mm	3.0 mm	Thread 4-40 UNC	Clip	Tray (24 pcs)	224344
7W2	Pressfit	25 A	7.3 mm	3.0 mm	Threaded bolt M3	Clip	Tray (24 pcs)	224343
7W2	Pressfit	25 A	7.3 mm	3.0 mm	Threaded bolt 4-40 UNC	Clip	Tray (24 pcs)	224342

D-Sub Connectors

Right Angle Male High Current 3W3, 3WK3



Ordering Information

SMT Versions

No. of Pins	Termination	Current	Assembly Height	Termination Length	Accessory Mating Side	Accessory Terminal Side	Packaging	Part Number
3W3	SMT	–	7.3 mm	–	Through Hole 3.2 mm	–	Tape & Reel (75 pcs)	244244
3W3	SMT	–	7.3 mm	–	Thread M3	–	Tape & Reel (75 pcs)	244248
3W3	SMT	–	7.3 mm	–	Thread 4-40 UNC	–	Tape & Reel (75 pcs)	244247
3W3	SMT	–	7.3 mm	–	Threaded bolt M3	–	Tape & Reel (75 pcs)	244246
3W3	SMT	–	7.3 mm	–	Threaded bolt 4-40 UNC	–	Tape & Reel (75 pcs)	244245
3WK3	SMT	–	7.3 mm	–	Through Hole 3.2 mm	–	Tape & Reel (75 pcs)	244249
3WK3	SMT	–	7.3 mm	–	Thread M3	–	Tape & Reel (75 pcs)	244253
3WK3	SMT	–	7.3 mm	–	Thread 4-40 UNC	–	Tape & Reel (75 pcs)	244252
3WK3	SMT	–	7.3 mm	–	Threaded bolt M3	–	Tape & Reel (75 pcs)	244251
3WK3	SMT	–	7.3 mm	–	Threaded bolt 4-40 UNC	–	Tape & Reel (75 pcs)	244250

D-Sub Connectors

Right Angle Male High Current 3W3, 3WK3



Ordering Information

THR Versions

No. of Pins	Termination	Current	Assembly Height	Termination Length	Accessory Mating Side	Accessory Terminal Side	Packaging	Part Number
3W3	THR	–	7.3 mm	3.0 mm	Through Hole 3.2 mm	Clip with assembly force	Tray (24 pcs)	244188
3W3	THR	–	7.3 mm	3.0 mm	Thread M3	Clip with assembly force	Tray (24 pcs)	244192
3W3	THR	–	7.3 mm	3.0 mm	Thread 4-40 UNC	Clip with assembly force	Tray (24 pcs)	244191
3W3	THR	–	7.3 mm	3.0 mm	Threaded bolt M3	Clip with assembly force	Tray (24 pcs)	244190
3W3	THR	–	7.3 mm	3.0 mm	Threaded bolt 4-40 UNC	Clip with assembly force	Tray (24 pcs)	244189

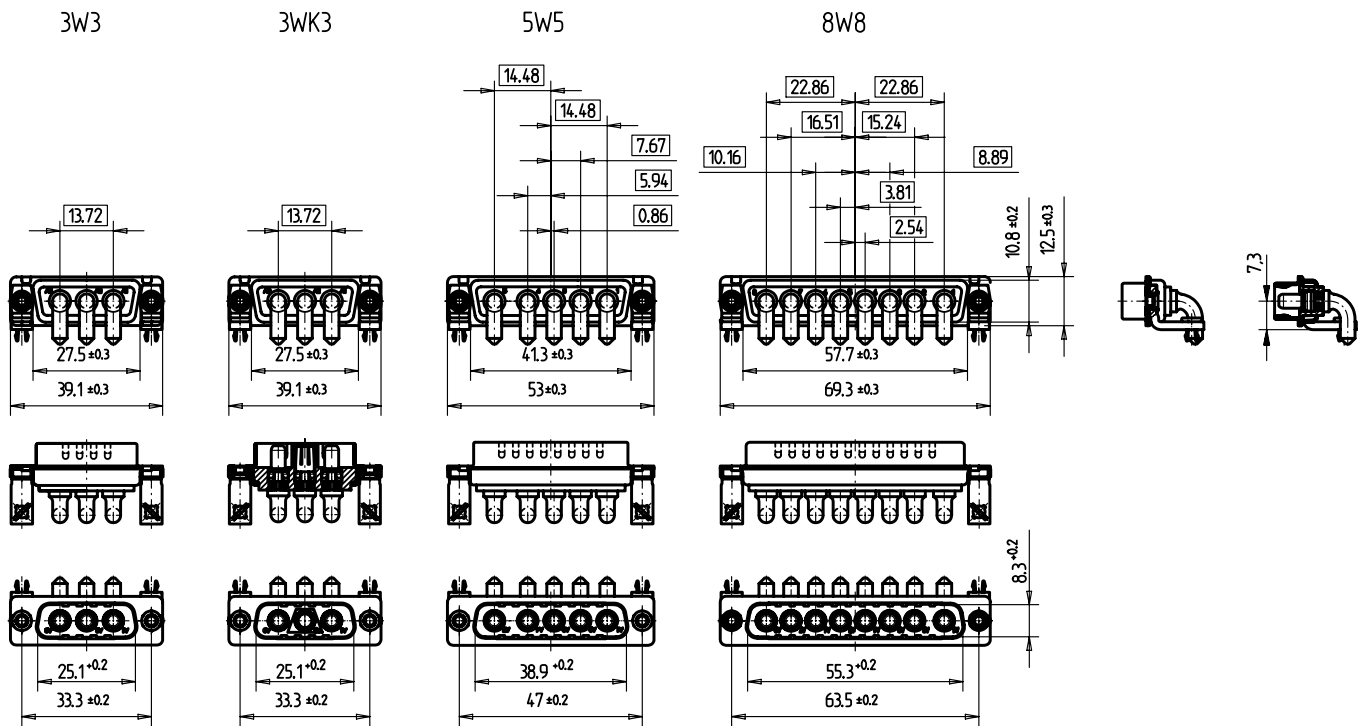
D-Sub Connectors

Right Angle Male High Current 3W3, 3WK3, 5W5, 8W8



Versions with machined high current contacts

Dimensional Drawing 3W3, 3WK3, 5W5 and 8W8, Assembly Height 7.3 mm



All dimensions in mm



Ordering Information

3W3 Versions

No. of Pins	Termination	Current	Assembly Height	Termination Length	Accessory Mating Side	Accessory Terminal Side	Packaging	Part Number
3W3	Solder	30 A	7.3 mm	3.7 mm	Riveted nut M3	Clip	Cardboard (25 pcs)	134464
3W3	Solder	30 A	7.3 mm	3.7 mm	Riveted nut 4-40 UNC	Clip	Cardboard (25 pcs)	134465

3WK3 Versions

No. of Pins	Termination	Current	Assembly Height	Termination Length	Accessory Mating Side	Accessory Terminal Side	Packaging	Part Number
3WK3	Solder	30 A	7.3 mm	3.7 mm	Riveted nut M3	Clip	Cardboard (25 pcs)	134466
3WK3	Solder	30 A	7.3 mm	3.7 mm	Riveted nut 4-40 UNC	Clip	Cardboard (25 pcs)	134467

5W5 Versions

No. of Pins	Termination	Current	Assembly Height	Termination Length	Accessory Mating Side	Accessory Terminal Side	Packaging	Part Number
5W5	Solder	30 A	7.3 mm	3.7 mm	Riveted nut M3	Clip	Cardboard (25 pcs)	134489
5W5	Solder	30 A	7.3 mm	3.7 mm	Riveted nut 4-40 UNC	Clip	Cardboard (25 pcs)	134490

8W8 Versions

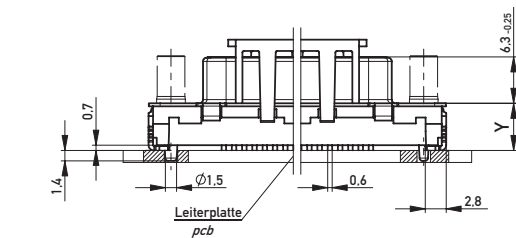
No. of Pins	Termination	Current	Assembly Height	Termination Length	Accessory Mating Side	Accessory Terminal Side	Packaging	Part Number
8W8	Solder	30 A	7.3 mm	3.7 mm	Riveted nut M3	Clip	Cardboard (25 pcs)	134491
8W8	Solder	30 A	7.3 mm	3.7 mm	Riveted nut 4-40 UNC	Clip	Cardboard (25 pcs)	134492

D-Sub Connectors

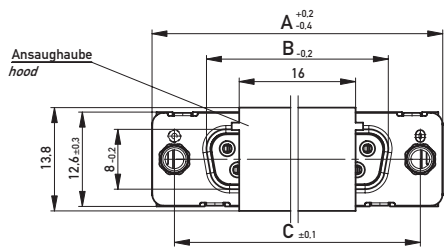
Vertical Female



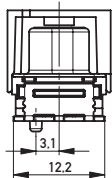
Dimensional Drawing SMT



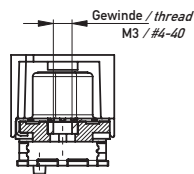
9	31.0	16.4	25.0	10.96	8.22	2.74	31.8	1.37
15	39.3	24.75	33.3	19.18	16.44	2.74	40.1	1.37
25	53.0	38.5	47.0	33.12	30.36	2.76	53.8	1.38
37	69.5	54.95	63.5	49.68	46.92	2.76	70.3	1.38
Pohlzahl No. of contacts	A	B	C	D	E	F	G	H



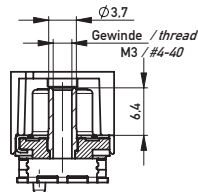
ohne / without



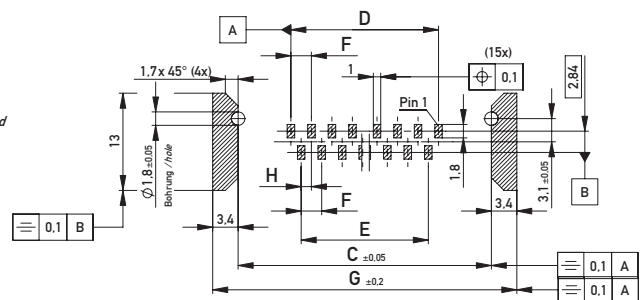
Mutter / nut



Bolzen / bolt



Layout:



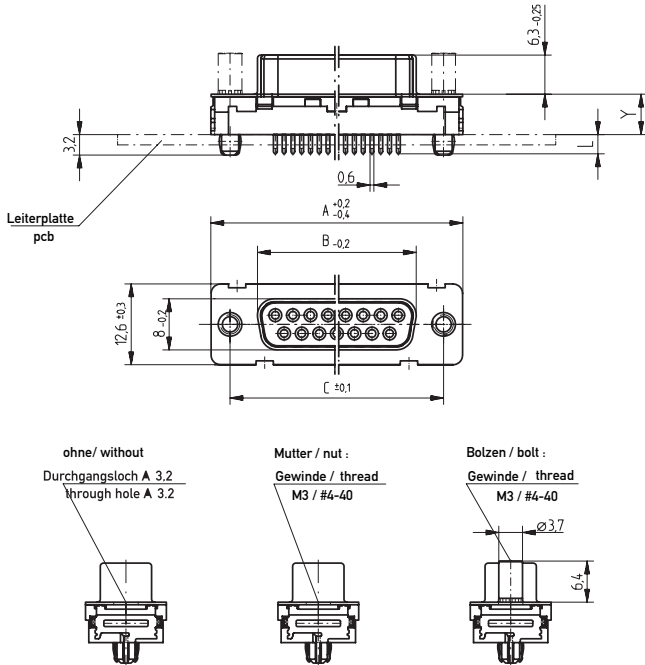
All dimensions in mm

D-Sub Connectors

Vertical Female

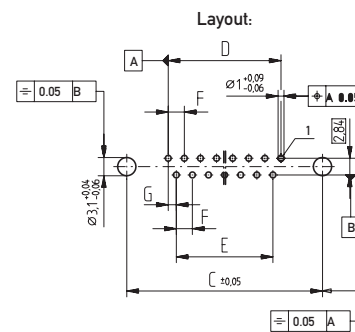


Dimensional Drawing Pressfit (Clip)

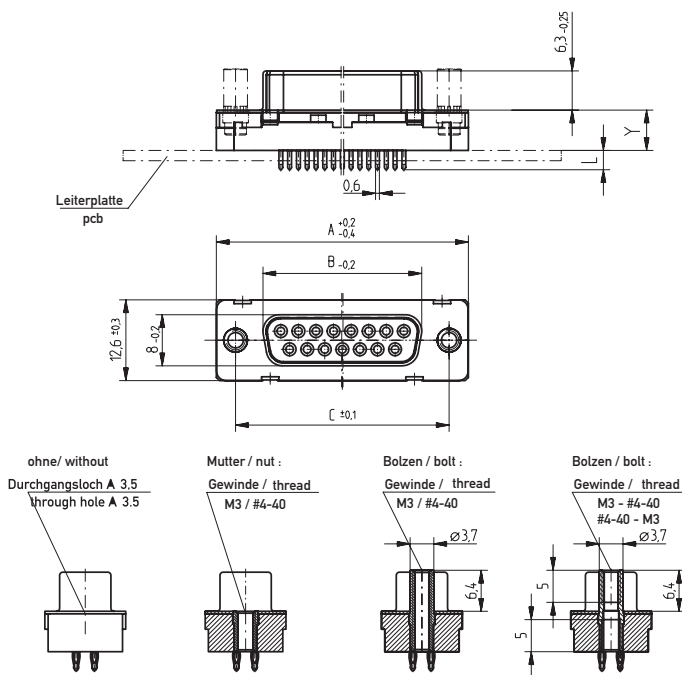


9	31.0	16.4	25.0	10.96	8.22	2.74	1.37
15	39.3	24.75	33.3	19.18	16.44	2.74	1.37
25	53.0	38.5	47.0	33.12	30.36	2.76	1.38
37	69.5	54.95	63.5	49.68	46.92	2.76	1.38
Pohlzahl No. of contacts	A	B	C	D	E	F	G

Metal plating of plated-through hole see drawing 164062 No. 6 + 12

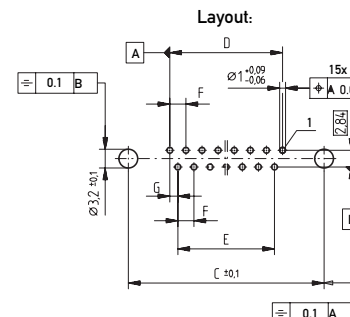


Dimensional Drawing Pressfit (Screw)



9	31.0	16.4	25.0	10.96	8.22	2.74	1.37
15	39.3	24.75	33.3	19.18	16.44	2.74	1.37
25	53.0	38.5	47.0	33.12	30.36	2.76	1.38
37	69.5	54.95	63.5	49.68	46.92	2.76	1.38
Pohlzahl No. of contacts	A	B	C	D	E	F	G

Metal plating of plated-through hole see drawing 164062 No. 6 + 12



All dimensions in mm

D-Sub Connectors

Vertical Female 9 Pin



Ordering Information

SMT Versions

No. of Pins	Termination	Y Assembly Height	L Termination Length	Accessory Mating Side	Accessory Terminal Side	Packaging	Part Number
9	SMT	6.3 mm	–	None	–	Tray (48 pcs)	174389
9	SMT	6.3 mm	–	None	–	Tape & Reel (120 pcs)	194270
9	SMT	6.3 mm	–	Thread M3	–	Tray (48 pcs)	164017
9	SMT	6.3 mm	–	Thread M3	–	Tape & Reel (120 pcs)	194274
9	SMT	6.3 mm	–	Thread 4-40 UNC	–	Tray (48 pcs)	164021
9	SMT	6.3 mm	–	Thread 4-40 UNC	–	Tape & Reel (120 pcs)	194273
9	SMT	6.3 mm	–	Threaded bolt M3	–	Tray (48 pcs)	164025
9	SMT	6.3 mm	–	Threaded bolt M3	–	Tape & Reel (120 pcs)	194272
9	SMT	6.3 mm	–	Threaded bolt 4-40 UNC	–	Tray (48 pcs)	204264
9	SMT	6.3 mm	–	Threaded bolt 4-40 UNC	–	Tape & Reel (120 pcs)	194271

D-Sub Connectors

Vertical Female 9 Pin



Ordering Information

SMT Versions

No. of Pins	Termination	Y Assembly Height	L Termination Length	Accessory Mating Side	Accessory Terminal Side	Packaging	Part Number
9	SMT	9.0 mm	–	None	–	Tray (48 pcs)	194330
9	SMT	9.0 mm	–	None	–	Tape & Reel (75 pcs)	194335
9	SMT	9.0 mm	–	Thread M3	–	Tray (48 pcs)	194334
9	SMT	9.0 mm	–	Thread M3	–	Tape & Reel (75 pcs)	194339
9	SMT	9.0 mm	–	Thread 4-40 UNC	–	Tray (48 pcs)	194333
9	SMT	9.0 mm	–	Thread 4-40 UNC	–	Tape & Reel (75 pcs)	194338
9	SMT	9.0 mm	–	Threaded bolt M3	–	Tray (48 pcs)	194332
9	SMT	9.0 mm	–	Threaded bolt M3	–	Tape & Reel (75 pcs)	194337
9	SMT	9.0 mm	–	Threaded bolt 4-40 UNC	–	Tray (48 pcs)	194331
9	SMT	9.0 mm	–	Threaded bolt 4-40 UNC	–	Tape & Reel (75 pcs)	194336

D-Sub Connectors

Vertical Female 9 Pin



Ordering Information

THR Versions

No. of Pins	Termination	Y Assembly Height	L Termination Length	Accessory Mating Side	Accessory Terminal Side	Packaging	Part Number
9	THR	5.6 mm	2.4 mm	None	Clip without assembly force	Tray (48 pcs)	174986
9	THR	5.6 mm	2.4 mm	Thread M3	Clip without assembly force	Tray (48 pcs)	194077
9	THR	5.6 mm	2.4 mm	Thread 4-40 UNC	Clip without assembly force	Tray (48 pcs)	194076
9	THR	5.6 mm	2.4 mm	Threaded bolt M3	Clip without assembly force	Tray (48 pcs)	194075
9	THR	5.6 mm	2.4 mm	Threaded bolt 4-40 UNC	Clip without assembly force	Tray (48 pcs)	194074
9	THR	6.0 mm	3.0 mm	None	Clip with assembly force	Tray (48 pcs)	234443
9	THR	6.0 mm	3.0 mm	None	Clip without assembly force	Tray (48 pcs)	234438
9	THR	6.0 mm	3.0 mm	None	Clip without assembly force	Tape & Reel (75 pcs)	234433
9	THR	6.0 mm	3.0 mm	Thread M3	Clip with assembly force	Tray (48 pcs)	234444
9	THR	6.0 mm	3.0 mm	Thread M3	Clip without assembly force	Tray (48 pcs)	234439
9	THR	6.0 mm	3.0 mm	Thread M3	Clip without assembly force	Tape & Reel (75 pcs)	234434
9	THR	6.0 mm	3.0 mm	Thread 4-40 UNC	Clip with assembly force	Tray (48 pcs)	234445
9	THR	6.0 mm	3.0 mm	Thread 4-40 UNC	Clip without assembly force	Tray (48 pcs)	234440
9	THR	6.0 mm	3.0 mm	Thread 4-40 UNC	Clip without assembly force	Tape & Reel (75 pcs)	234435
9	THR	6.0 mm	3.0 mm	Threaded bolt M3	Clip with assembly force	Tray (48 pcs)	234446

D-Sub Connectors

Vertical Female 9 Pin



Ordering Information

THR Versions

No. of Pins	Termination	Y Assembly Height	L Termination Length	Accessory Mating Side	Accessory Terminal Side	Packaging	Part Number
9	THR	6.0 mm	3.0 mm	Threaded bolt M3	Clip without assembly force	Tray (48 pcs)	234441
9	THR	6.0 mm	3.0 mm	Threaded bolt M3	Clip without assembly force	Tape & Reel (75 pcs)	234436
9	THR	6.0 mm	3.0 mm	Threaded bolt 4-40 UNC	Clip with assembly force	Tray (48 pcs)	234447
9	THR	6.0 mm	3.0 mm	Threaded bolt 4-40 UNC	Clip without assembly force	Tray (48 pcs)	234442
9	THR	6.0 mm	3.0 mm	Threaded bolt 4-40 UNC	Clip without assembly force	Tape & Reel (75 pcs)	234437
9	THR	6.3 mm	1.7 mm	None	Clip with assembly force	Tray (48 pcs)	204893
9	THR	6.3 mm	1.7 mm	None	Clip without assembly force	Tray (48 pcs)	204888
9	THR	6.3 mm	1.7 mm	None	Clip without assembly force	Tape & Reel (75 pcs)	204883
9	THR	6.3 mm	1.7 mm	Thread M3	Clip with assembly force	Tray (48 pcs)	204894
9	THR	6.3 mm	1.7 mm	Thread M3	Clip without assembly force	Tray (48 pcs)	204889
9	THR	6.3 mm	1.7 mm	Thread M3	Clip without assembly force	Tape & Reel (75 pcs)	204884
9	THR	6.3 mm	1.7 mm	Thread 4-40 UNC	Clip with assembly force	Tray (48 pcs)	204895
9	THR	6.3 mm	1.7 mm	Thread 4-40 UNC	Clip without assembly force	Tray (48 pcs)	204890
9	THR	6.3 mm	1.7 mm	Thread 4-40 UNC	Clip without assembly force	Tape & Reel (75 pcs)	204885
9	THR	6.3 mm	1.7 mm	Threaded bolt M3	Clip with assembly force	Tray (48 pcs)	204896

D-Sub Connectors

Vertical Female 9 Pin



Ordering Information

THR Versions

No. of Pins	Termination	Y Assembly Height	L Termination Length	Accessory Mating Side	Accessory Terminal Side	Packaging	Part Number
9	THR	6.3 mm	1.7 mm	Threaded bolt M3	Clip without assembly force	Tray (48 pcs)	204891
9	THR	6.3 mm	1.7 mm	Threaded bolt M3	Clip without assembly force	Tape & Reel (75 pcs)	204886
9	THR	6.3 mm	1.7 mm	Threaded bolt 4-40 UNC	Clip with assembly force	Tray (48 pcs)	204897
9	THR	6.3 mm	1.7 mm	Threaded bolt 4-40 UNC	Clip without assembly force	Tray (48 pcs)	204892
9	THR	6.3 mm	1.7 mm	Threaded bolt 4-40 UNC	Clip without assembly force	Tape & Reel (75 pcs)	204887
9	THR	6.3 mm	2.7 mm	None	Clip with assembly force	Tray (48 pcs)	204923
9	THR	6.3 mm	2.7 mm	None	Clip without assembly force	Tray (48 pcs)	204918
9	THR	6.3 mm	2.7 mm	None	Clip without assembly force	Tape & Reel (75 pcs)	204913
9	THR	6.3 mm	2.7 mm	Thread M3	Clip with assembly force	Tray (48 pcs)	204924
9	THR	6.3 mm	2.7 mm	Thread M3	Clip without assembly force	Tray (48 pcs)	204919
9	THR	6.3 mm	2.7 mm	Thread M3	Clip without assembly force	Tape & Reel (75 pcs)	204914
9	THR	6.3 mm	2.7 mm	Thread 4-40 UNC	Clip with assembly force	Tray (48 pcs)	204925
9	THR	6.3 mm	2.7 mm	Thread 4-40 UNC	Clip without assembly force	Tray (48 pcs)	204920
9	THR	6.3 mm	2.7 mm	Thread 4-40 UNC	Clip without assembly force	Tape & Reel (75 pcs)	204915
9	THR	6.3 mm	2.7 mm	Threaded bolt M3	Clip with assembly force	Tray (48 pcs)	204926

D-Sub Connectors

Vertical Female 9 Pin



Ordering Information

THR Versions

No. of Pins	Termination	Y Assembly Height	L Termination Length	Accessory Mating Side	Accessory Terminal Side	Packaging	Part Number
9	THR	6.3 mm	2.7 mm	Threaded bolt M3	Clip without assembly force	Tray (48 pcs)	204921
9	THR	6.3 mm	2.7 mm	Threaded bolt M3	Clip without assembly force	Tape & Reel (75 pcs)	204916
9	THR	6.3 mm	2.7 mm	Threaded bolt 4-40 UNC	Clip with assembly force	Tray (48 pcs)	204927
9	THR	6.3 mm	2.7 mm	Threaded bolt 4-40 UNC	Clip without assembly force	Tray (48 pcs)	204922
9	THR	6.3 mm	2.7 mm	Threaded bolt 4-40 UNC	Clip without assembly force	Tape & Reel (75 pcs)	204917
9	THR	6.3 mm	5.3 mm	None	Clip with assembly force	Tray (48 pcs)	224221
9	THR	6.3 mm	5.3 mm	Thread M3	Clip with assembly force	Tray (48 pcs)	224298
9	THR	6.3 mm	5.3 mm	Thread 4-40 UNC	Clip with assembly force	Tray (48 pcs)	224299
9	THR	6.3 mm	5.3 mm	Threaded bolt M3	Clip with assembly force	Tray (48 pcs)	224300
9	THR	6.3 mm	5.3 mm	Threaded bolt 4-40 UNC	Clip with assembly force	Tray (48 pcs)	204109
9	THR	6.3 mm	5.3 mm	Threaded bolt 4-40 UNC	Clip without assembly force	Tray (48 pcs)	214108
9	THR	6.3 mm	5.3 mm	Threaded bolt 4-40 UNC	Clip without assembly force	Tape & Reel (75 pcs)	204107

D-Sub Connectors

Vertical Female 9 Pin



Ordering Information

Solder Versions

No. of Pins	Termination	Y Assembly Height	L Termination Length	Accessory Mating Side	Accessory Terminal Side	Packaging	Part Number
9	Solder	6.3 mm	2.7 mm	Through Hole 3.5 mm	Screw	Tray (48 pcs)	214735
9	Solder	6.3 mm	2.7 mm	Thread M3	Screw M3	Tray (48 pcs)	214736
9	Solder	6.3 mm	2.7 mm	Thread 4-40 UNC	Screw 4-40 UNC	Tray (48 pcs)	214737
9	Solder	6.3 mm	2.7 mm	Threaded bolt M3	Screw M3	Tray (48 pcs)	214739
9	Solder	6.3 mm	2.7 mm	Threaded bolt 4-40 UNC	Screw 4-40 UNC	Tray (48 pcs)	214740
9	Solder	6.3 mm	2.7 mm	Threaded bolt 4-40 UNC	Screw M3	Tray (48 pcs)	214738
9	Solder	6.3 mm	5.3 mm	Through Hole 3.5 mm	Screw	Tray (48 pcs)	204846
9	Solder	6.3 mm	5.3 mm	Thread M3	Screw M3	Tray (48 pcs)	204847
9	Solder	6.3 mm	5.3 mm	Thread 4-40 UNC	Screw 4-40 UNC	Tray (48 pcs)	204848
9	Solder	6.3 mm	5.3 mm	Threaded bolt M3	Screw M3	Tray (48 pcs)	204849
9	Solder	6.3 mm	5.3 mm	Threaded bolt 4-40 UNC	Screw 4-40 UNC	Tray (48 pcs)	204850
9	Solder	6.3 mm	5.3 mm	Threaded bolt 4-40 UNC	Screw M3	Tray (48 pcs)	294880



Ordering Information

Pressfit Versions

No. of Pins	Termination	Y Assembly Height	L Termination Length	Accessory Mating Side	Accessory Terminal Side	Packaging	Part Number
9	Pressfit	6.3 mm	3.0 mm	Through Hole 3.2 mm	Clip	Tray (48 pcs)	194061
9	Pressfit	6.3 mm	3.0 mm	Thread M3	Clip	Tray (48 pcs)	194058
9	Pressfit	6.3 mm	3.0 mm	Thread 4-40 UNC	Clip	Tray (48 pcs)	194059
9	Pressfit	6.3 mm	3.0 mm	Threaded bolt M3	Clip	Tray (48 pcs)	194060
9	Pressfit	6.3 mm	3.0 mm	Threaded bolt 4-40 UNC	Clip	Tray (48 pcs)	194037
9	Pressfit	9.0 mm	3.0 mm	Through Hole 3.2 mm	Clip	Tray (48 pcs)	194917
9	Pressfit	9.0 mm	3.0 mm	Thread M3	Clip	Tray (48 pcs)	194918
9	Pressfit	9.0 mm	3.0 mm	Thread 4-40 UNC	Clip	Tray (48 pcs)	194919
9	Pressfit	9.0 mm	3.0 mm	Threaded bolt M3	Clip	Tray (48 pcs)	194920
9	Pressfit	9.0 mm	3.0 mm	Threaded bolt 4-40 UNC	Clip	Tray (48 pcs)	194921
9	Pressfit	6.3 mm	3.0 mm	Through Hole 3.5 mm	Screw	Tray (48 pcs)	204289
9	Pressfit	6.3 mm	3.0 mm	Thread M3	Screw M3	Tray (48 pcs)	204293
9	Pressfit	6.3 mm	3.0 mm	Thread 4-40 UNC	Screw 4-40 UNC	Tray (48 pcs)	204292
9	Pressfit	6.3 mm	3.0 mm	Threaded bolt M3	Screw M3	Tray (48 pcs)	204291
9	Pressfit	6.3 mm	3.0 mm	Threaded bolt 4-40 UNC	Screw 4-40 UNC	Tray (48 pcs)	204290
9	Pressfit	6.3 mm	3.0 mm	Threaded bolt 4-40 UNC	Screw M3	Tray (48 pcs)	214588

D-Sub Connectors

Vertical Female 15 Pin



Ordering Information

SMT Versions

No. of Pins	Termination	Y Assembly Height	L Termination Length	Accessory Mating Side	Accessory Terminal Side	Packaging	Part Number
15	SMT	6.3 mm	–	None	–	Tray (36 pcs)	174390
15	SMT	6.3 mm	–	None	–	Tape & Reel (120 pcs)	194275
15	SMT	6.3 mm	–	Thread M3	–	Tray (36 pcs)	164018
15	SMT	6.3 mm	–	Thread M3	–	Tape & Reel (120 pcs)	194279
15	SMT	6.3 mm	–	Thread 4-40 UNC	–	Tray (36 pcs)	164022
15	SMT	6.3 mm	–	Thread 4-40 UNC	–	Tape & Reel (120 pcs)	194278
15	SMT	6.3 mm	–	Threaded bolt M3	–	Tray (36 pcs)	164026
15	SMT	6.3 mm	–	Threaded bolt M3	–	Tape & Reel (120 pcs)	194277
15	SMT	6.3 mm	–	Threaded bolt 4-40 UNC	–	Tray (36 pcs)	164030
15	SMT	6.3 mm	–	Threaded bolt 4-40 UNC	–	Tape & Reel (120 pcs)	194276

D-Sub Connectors

Vertical Female 15 Pin



Ordering Information

SMT Versions

No. of Pins	Termination	Y Assembly Height	L Termination Length	Accessory Mating Side	Accessory Terminal Side	Packaging	Part Number
15	SMT	9.0 mm	–	None	–	Tray (36 pcs)	194340
15	SMT	9.0 mm	–	None	–	Tape & Reel (75 pcs)	194345
15	SMT	9.0 mm	–	Thread M3	–	Tray (36 pcs)	194344
15	SMT	9.0 mm	–	Thread M3	–	Tape & Reel (75 pcs)	194349
15	SMT	9.0 mm	–	Thread 4-40 UNC	–	Tray (36 pcs)	194343
15	SMT	9.0 mm	–	Thread 4-40 UNC	–	Tape & Reel (75 pcs)	194348
15	SMT	9.0 mm	–	Threaded bolt M3	–	Tray (36 pcs)	194342
15	SMT	9.0 mm	–	Threaded bolt M3	–	Tape & Reel (75 pcs)	194347
15	SMT	9.0 mm	–	Threaded bolt 4-40 UNC	–	Tray (36 pcs)	194341
15	SMT	9.0 mm	–	Threaded bolt 4-40 UNC	–	Tape & Reel (75 pcs)	194346

D-Sub Connectors

Vertical Female 15 Pin



Ordering Information

THR Versions

No. of Pins	Termination	Y Assembly Height	L Termination Length	Accessory Mating Side	Accessory Terminal Side	Packaging	Part Number
15	THR	6.3 mm	1.7 mm	Thread 4-40 UNC	Clip without assembly force	Tray (36 pcs)	254050
15	THR	6.3 mm	1.7 mm	Threaded bolt 4-40 UNC	Clip without assembly force	Tray (36 pcs)	254722
15	THR	6.3 mm	2.7 mm	None	Clip with assembly force	Tray (36 pcs)	234906
15	THR	6.3 mm	2.7 mm	None	Clip without assembly force	Tray (36 pcs)	234901
15	THR	6.3 mm	2.7 mm	Thread M3	Clip with assembly force	Tray (36 pcs)	234907
15	THR	6.3 mm	2.7 mm	Thread M3	Clip without assembly force	Tray (36 pcs)	234902
15	THR	6.3 mm	2.7 mm	Thread 4-40 UNC	Clip with assembly force	Tray (36 pcs)	234174
15	THR	6.3 mm	2.7 mm	Thread 4-40 UNC	Clip without assembly force	Tray (36 pcs)	234903
15	THR	6.3 mm	2.7 mm	Threaded bolt M3	Clip with assembly force	Tray (36 pcs)	234908
15	THR	6.3 mm	2.7 mm	Threaded bolt M3	Clip without assembly force	Tray (36 pcs)	234904
15	THR	6.3 mm	2.7 mm	Threaded bolt 4-40 UNC	Clip with assembly force	Tray (36 pcs)	224785
15	THR	6.3 mm	2.7 mm	Threaded bolt 4-40 UNC	Clip without assembly force	Tray (36 pcs)	234905
15	THR	6.3 mm	5.3 mm	Threaded bolt 4-40 UNC	Clip with assembly force	Tray (36 pcs)	214818

D-Sub Connectors

Vertical Female 15 Pin



Ordering Information

Solder Versions

No. of Pins	Termination	Y Assembly Height	L Termination Length	Accessory Mating Side	Accessory Terminal Side	Packaging	Part Number
15	Solder	6.3 mm	2.7 mm	Through Hole 3.5 mm	Screw	Tray (36 pcs)	214741
15	Solder	6.3 mm	2.7 mm	Thread M3	Screw M3	Tray (36 pcs)	214742
15	Solder	6.3 mm	2.7 mm	Thread 4-40 UNC	Screw 4-40 UNC	Tray (36 pcs)	214743
15	Solder	6.3 mm	2.7 mm	Threaded bolt M3	Screw M3	Tray (36 pcs)	214745
15	Solder	6.3 mm	2.7 mm	Threaded bolt 4-40 UNC	Screw 4-40 UNC	Tray (36 pcs)	214746
15	Solder	6.3 mm	2.7 mm	Threaded bolt 4-40 UNC	Screw M3	Tray (36 pcs)	214744
15	Solder	6.3 mm	5.3 mm	Through Hole 3.5 mm	Screw	Tray (36 pcs)	204851
15	Solder	6.3 mm	5.3 mm	Thread M3	Screw M3	Tray (36 pcs)	204852
15	Solder	6.3 mm	5.3 mm	Thread 4-40 UNC	Screw 4-40 UNC	Tray (36 pcs)	204853
15	Solder	6.3 mm	5.3 mm	Threaded bolt M3	Screw M3	Tray (36 pcs)	204854
15	Solder	6.3 mm	5.3 mm	Threaded bolt 4-40 UNC	Screw 4-40 UNC	Tray (36 pcs)	204855
15	Solder	6.3 mm	5.3 mm	Threaded bolt 4-40 UNC	Screw M3	Tray (36 pcs)	294881

D-Sub Connectors

Vertical Female 15 Pin



Ordering Information

Pressfit Versions

No. of Pins	Termination	Y Assembly Height	L Termination Length	Accessory Mating Side	Accessory Terminal Side	Packaging	Part Number
15	Pressfit	6.0 mm	3.3 mm	None	Clip	Tray (36 pcs)	194881
15	Pressfit	6.0 mm	3.3 mm	Thread M3	Clip	Tray (36 pcs)	194882
15	Pressfit	6.0 mm	3.3 mm	Thread 4-40 UNC	Clip	Tray (36 pcs)	194883
15	Pressfit	6.0 mm	3.3 mm	Threaded bolt M3	Clip	Tray (36 pcs)	194884
15	Pressfit	6.0 mm	3.3 mm	Threaded bolt 4-40 UNC	Clip	Tray (36 pcs)	194885
15	Pressfit	6.3 mm	3.0 mm	Through Hole 3.2 mm	Clip	Tray (36 pcs)	194380
15	Pressfit	6.3 mm	3.0 mm	Thread M3	Clip	Tray (36 pcs)	194384
15	Pressfit	6.3 mm	3.0 mm	Thread 4-40 UNC	Clip	Tray (36 pcs)	194383
15	Pressfit	6.3 mm	3.0 mm	Threaded bolt M3	Clip	Tray (36 pcs)	194382
15	Pressfit	6.3 mm	3.0 mm	Threaded bolt 4-40 UNC	Clip	Tray (36 pcs)	194381

D-Sub Connectors

Vertical Female 15 Pin



Ordering Information

Pressfit Versions

No. of Pins	Termination	Y Assembly Height	L Termination Length	Accessory Mating Side	Accessory Terminal Side	Packaging	Part Number
15	Pressfit	9.0 mm	3.0 mm	Through Hole 3.2 mm	Clip	Tray (36 pcs)	194922
15	Pressfit	9.0 mm	3.0 mm	Thread M3	Clip	Tray (36 pcs)	194923
15	Pressfit	9.0 mm	3.0 mm	Thread 4-40 UNC	Clip	Tray (36 pcs)	194924
15	Pressfit	9.0 mm	3.0 mm	Threaded bolt M3	Clip	Tray (36 pcs)	194925
15	Pressfit	9.0 mm	3.0 mm	Threaded bolt 4-40 UNC	Clip	Tray (36 pcs)	194926
15	Pressfit	6.3 mm	3.0 mm	Through Hole 3.5 mm	Screw	Tray (36 pcs)	204324
15	Pressfit	6.3 mm	3.0 mm	Thread M3	Screw M3	Tray (36 pcs)	204325
15	Pressfit	6.3 mm	3.0 mm	Thread 4-40 UNC	Screw 4-40 UNC	Tray (36 pcs)	204326
15	Pressfit	6.3 mm	3.0 mm	Threaded bolt M3	Screw M3	Tray (36 pcs)	204327
15	Pressfit	6.3 mm	3.0 mm	Threaded bolt 4-40 UNC	Screw 4-40 UNC	Tray (36 pcs)	204328
15	Pressfit	6.3 mm	3.0 mm	Threaded bolt 4-40 UNC	Screw M3	Tray (36 pcs)	214589

D-Sub Connectors

Vertical Female 25 Pin



Ordering Information

SMT Versions

No. of Pins	Termination	Y Assembly Height	L Termination Length	Accessory Mating Side	Accessory Terminal Side	Packaging	Part Number
25	SMT	6.3 mm	–	None	–	Tray (30 pcs)	174391
25	SMT	6.3 mm	–	None	–	Tape & Reel (120 pcs)	194280
25	SMT	6.3 mm	–	Thread M3	–	Tray (30 pcs)	164019
25	SMT	6.3 mm	–	Thread M3	–	Tape & Reel (120 pcs)	194284
25	SMT	6.3 mm	–	Thread 4-40 UNC	–	Tray (30 pcs)	164023
25	SMT	6.3 mm	–	Thread 4-40 UNC	–	Tape & Reel (120 pcs)	194283
25	SMT	6.3 mm	–	Threaded bolt M3	–	Tray (30 pcs)	164027
25	SMT	6.3 mm	–	Threaded bolt M3	–	Tape & Reel (120 pcs)	194282
25	SMT	6.3 mm	–	Threaded bolt 4-40 UNC	–	Tray (30 pcs)	164031
25	SMT	6.3 mm	–	Threaded bolt 4-40 UNC	–	Tape & Reel (120 pcs)	194281

D-Sub Connectors

Vertical Female 25 Pin



Ordering Information

SMT Versions

No. of Pins	Termination	Y Assembly Height	L Termination Length	Accessory Mating Side	Accessory Terminal Side	Packaging	Part Number
25	SMT	9.0 mm	–	None	–	Tray (30 pcs)	194350
25	SMT	9.0 mm	–	None	–	Tape & Reel (75 pcs)	194355
25	SMT	9.0 mm	–	Thread M3	–	Tray (30 pcs)	194354
25	SMT	9.0 mm	–	Thread M3	–	Tape & Reel (75 pcs)	194359
25	SMT	9.0 mm	–	Thread 4-40 UNC	–	Tray (30 pcs)	194353
25	SMT	9.0 mm	–	Thread 4-40 UNC	–	Tape & Reel (75 pcs)	194358
25	SMT	9.0 mm	–	Threaded bolt M3	–	Tray (30 pcs)	194352
25	SMT	9.0 mm	–	Threaded bolt M3	–	Tape & Reel (75 pcs)	194357
25	SMT	9.0 mm	–	Threaded bolt 4-40 UNC	–	Tray (30 pcs)	194351
25	SMT	9.0 mm	–	Threaded bolt 4-40 UNC	–	Tape & Reel (75 pcs)	194356

D-Sub Connectors

Vertical Female 25 Pin



Ordering Information

THR Versions

No. of Pins	Termination	Y Assembly Height	L Termination Length	Accessory Mating Side	Accessory Terminal Side	Packaging	Part Number
25	THR	6.3 mm	2.7 mm	None	Clip with assembly force	Tray (30 pcs)	234919
25	THR	6.3 mm	2.7 mm	None	Clip without assembly force	Tray (30 pcs)	234914
25	THR	6.3 mm	2.7 mm	Thread M3	Clip with assembly force	Tray (30 pcs)	234920
25	THR	6.3 mm	2.7 mm	Thread M3	Clip without assembly force	Tray (30 pcs)	234915
25	THR	6.3 mm	2.7 mm	Thread 4-40 UNC	Clip with assembly force	Tray (30 pcs)	234175
25	THR	6.3 mm	2.7 mm	Thread 4-40 UNC	Clip without assembly force	Tray (30 pcs)	234916
25	THR	6.3 mm	2.7 mm	Threaded bolt M3	Clip with assembly force	Tray (30 pcs)	234921
25	THR	6.3 mm	2.7 mm	Threaded bolt M3	Clip without assembly force	Tray (30 pcs)	234917
25	THR	6.3 mm	2.7 mm	Threaded bolt 4-40 UNC	Clip with assembly force	Tray (30 pcs)	224786
25	THR	6.3 mm	2.7 mm	Threaded bolt 4-40 UNC	Clip without assembly force	Tray (30 pcs)	234918

D-Sub Connectors

Vertical Female 25 Pin



Ordering Information

Solder Versions

No. of Pins	Termination	Y Assembly Height	L Termination Length	Accessory Mating Side	Accessory Terminal Side	Packaging	Part Number
25	Solder	6.3 mm	2.7 mm	Through Hole 3.5 mm	Screw	Tray (30 pcs)	214747
25	Solder	6.3 mm	2.7 mm	Thread M3	Screw M3	Tray (30 pcs)	214748
25	Solder	6.3 mm	2.7 mm	Thread 4-40 UNC	Screw 4-40 UNC	Tray (30 pcs)	214749
25	Solder	6.3 mm	2.7 mm	Threaded bolt M3	Screw M3	Tray (30 pcs)	214751
25	Solder	6.3 mm	2.7 mm	Threaded bolt 4-40 UNC	Screw 4-40 UNC	Tray (30 pcs)	214752
25	Solder	6.3 mm	2.7 mm	Threaded bolt 4-40 UNC	Screw M3	Tray (30 pcs)	214750

D-Sub Connectors

Vertical Female 25 Pin



Ordering Information

Pressfit Versions

No. of Pins	Termination	Y Assembly Height	L Termination Length	Accessory Mating Side	Accessory Terminal Side	Packaging	Part Number
25	Pressfit	6.0 mm	3.3 mm	None	Clip	Tray (30 pcs)	194886
25	Pressfit	6.0 mm	3.3 mm	Thread M3	Clip	Tray (30 pcs)	194887
25	Pressfit	6.0 mm	3.3 mm	Thread 4-40 UNC	Clip	Tray (30 pcs)	194888
25	Pressfit	6.0 mm	3.3 mm	Threaded bolt M3	Clip	Tray (30 pcs)	194889
25	Pressfit	6.0 mm	3.3 mm	Threaded bolt 4-40 UNC	Clip	Tray (30 pcs)	194890
25	Pressfit	6.3 mm	3.0 mm	Through Hole 3.2 mm	Clip	Tray (30 pcs)	194385
25	Pressfit	6.3 mm	3.0 mm	Thread M3	Clip	Tray (30 pcs)	194389
25	Pressfit	6.3 mm	3.0 mm	Thread 4-40 UNC	Clip	Tray (30 pcs)	194388
25	Pressfit	6.3 mm	3.0 mm	Threaded bolt M3	Clip	Tray (30 pcs)	194387
25	Pressfit	6.3 mm	3.0 mm	Threaded bolt 4-40 UNC	Clip	Tray (30 pcs)	194386

D-Sub Connectors

Vertical Female 25 Pin



Ordering Information

Pressfit Versions

No. of Pins	Termination	Y Assembly Height	L Termination Length	Accessory Mating Side	Accessory Terminal Side	Packaging	Part Number
25	Pressfit	9.0 mm	3.0 mm	Through Hole 3.2 mm	Clip	Tray (30 pcs)	194927
25	Pressfit	9.0 mm	3.0 mm	Thread M3	Clip	Tray (30 pcs)	194928
25	Pressfit	9.0 mm	3.0 mm	Thread 4-40 UNC	Clip	Tray (30 pcs)	194929
25	Pressfit	9.0 mm	3.0 mm	Threaded bolt M3	Clip	Tray (30 pcs)	194930
25	Pressfit	9.0 mm	3.0 mm	Threaded bolt 4-40 UNC	Clip	Tray (30 pcs)	194931
25	Pressfit	6.3 mm	3.0 mm	Through Hole 3.5 mm	Screw	Tray (30 pcs)	204334
25	Pressfit	6.3 mm	3.0 mm	Thread M3	Screw M3	Tray (30 pcs)	204335
25	Pressfit	6.3 mm	3.0 mm	Thread 4-40 UNC	Screw 4-40 UNC	Tray (30 pcs)	204336
25	Pressfit	6.3 mm	3.0 mm	Threaded bolt M3	Screw M3	Tray (30 pcs)	204337
25	Pressfit	6.3 mm	3.0 mm	Threaded bolt 4-40 UNC	Screw 4-40 UNC	Tray (30 pcs)	204338
25	Pressfit	6.3 mm	3.0 mm	Threaded bolt 4-40 UNC	Screw M3	Tray (30 pcs)	214590

D-Sub Connectors

Vertical Female 37 Pin



Ordering Information

SMT Versions

No. of Pins	Termination	Y Assembly Height	L Termination Length	Accessory Mating Side	Accessory Terminal Side	Packaging	Part Number
37	SMT	6.3 mm	–	None	–	Tray (24 pcs)	174392
37	SMT	6.3 mm	–	None	–	Tape & Reel (120 pcs)	194285
37	SMT	6.3 mm	–	Thread M3	–	Tray (24 pcs)	164020
37	SMT	6.3 mm	–	Thread M3	–	Tape & Reel (120 pcs)	194289
37	SMT	6.3 mm	–	Thread 4-40 UNC	–	Tray (24 pcs)	164024
37	SMT	6.3 mm	–	Thread 4-40 UNC	–	Tape & Reel (120 pcs)	194288
37	SMT	6.3 mm	–	Threaded bolt M3	–	Tray (24 pcs)	164028
37	SMT	6.3 mm	–	Threaded bolt M3	–	Tape & Reel (120 pcs)	194287
37	SMT	6.3 mm	–	Threaded bolt 4-40 UNC	–	Tray	164032
37	SMT	6.3 mm	–	Threaded bolt 4-40 UNC	–	Tape & reel	194286

D-Sub Connectors

Vertical Female 37 Pin



Ordering Information

SMT Versions

No. of Pins	Termination	Y Assembly Height	L Termination Length	Accessory Mating Side	Accessory Terminal Side	Packaging	Part Number
37	SMT	9.0 mm	–	None	–	Tray (24 pcs)	194360
37	SMT	9.0 mm	–	None	–	Tape & Reel (75 pcs)	194365
37	SMT	9.0 mm	–	Thread M3	–	Tray (24 pcs)	194364
37	SMT	9.0 mm	–	Thread M3	–	Tape & Reel (75 pcs)	194369
37	SMT	9.0 mm	–	Thread 4-40 UNC	–	Tray (24 pcs)	194363
37	SMT	9.0 mm	–	Thread 4-40 UNC	–	Tape & Reel (75 pcs)	194368
37	SMT	9.0 mm	–	Threaded bolt M3	–	Tray (24 pcs)	194362
37	SMT	9.0 mm	–	Threaded bolt M3	–	Tape & Reel (75 pcs)	194367
37	SMT	9.0 mm	–	Threaded bolt 4-40 UNC	–	Tray (24 pcs)	194361
37	SMT	9.0 mm	–	Threaded bolt 4-40 UNC	–	Tape & Reel (75 pcs)	194366

D-Sub Connectors

Vertical Female 37 Pin



Ordering Information

THR Versions

No. of Pins	Termination	Y Assembly Height	L Termination Length	Accessory Mating Side	Accessory Terminal Side	Packaging	Part Number
37	THR	6.3 mm	2.7 mm	None	Clip with assembly force	Tray (24 pcs)	234932
37	THR	6.3 mm	2.7 mm	None	Clip without assembly force	Tray (24 pcs)	234927
37	THR	6.3 mm	2.7 mm	Thread M3	Clip with assembly force	Tray (24 pcs)	234933
37	THR	6.3 mm	2.7 mm	Thread M3	Clip without assembly force	Tray (24 pcs)	234928
37	THR	6.3 mm	2.7 mm	Thread 4-40 UNC	Clip with assembly force	Tray (24 pcs)	234176
37	THR	6.3 mm	2.7 mm	Thread 4-40 UNC	Clip without assembly force	Tray (24 pcs)	234929
37	THR	6.3 mm	2.7 mm	Threaded bolt M3	Clip with assembly force	Tray (24 pcs)	234934
37	THR	6.3 mm	2.7 mm	Threaded bolt M3	Clip without assembly force	Tray (24 pcs)	234930
37	THR	6.3 mm	2.7 mm	Threaded bolt 4-40 UNC	Clip with assembly force	Tray (24 pcs)	224787
37	THR	6.3 mm	2.7 mm	Threaded bolt 4-40 UNC	Clip without assembly force	Tray (24 pcs)	234931

D-Sub Connectors

Vertical Female 37 Pin



Ordering Information

Solder Versions

No. of Pins	Termination	Y Assembly Height	L Termination Length	Accessory Mating Side	Accessory Terminal Side	Packaging	Part Number
37	Solder	6.3 mm	2.7 mm	Through Hole 3.5 mm	Screw	Tray (24 pcs)	214753
37	Solder	6.3 mm	2.7 mm	Thread M3	Screw M3	Tray (24 pcs)	214754
37	Solder	6.3 mm	2.7 mm	Thread 4-40 UNC	Screw 4-40 UNC	Tray (24 pcs)	214755
37	Solder	6.3 mm	2.7 mm	Threaded bolt M3	Screw M3	Tray (24 pcs)	214757
37	Solder	6.3 mm	2.7 mm	Threaded bolt 4-40 UNC	Screw 4-40 UNC	Tray (24 pcs)	214758
37	Solder	6.3 mm	2.7 mm	Threaded bolt 4-40 UNC	Screw M3	Tray (24 pcs)	214756

D-Sub Connectors

Vertical Female 37 Pin



Ordering Information

Pressfit Versions

No. of Pins	Termination	Y Assembly Height	L Termination Length	Accessory Mating Side	Accessory Terminal Side	Packaging	Part Number
37	Pressfit	6.0 mm	3.3 mm	None	Clip	Tray (24 pcs)	194891
37	Pressfit	6.0 mm	3.3 mm	Thread M3	Clip	Tray (24 pcs)	194892
37	Pressfit	6.0 mm	3.3 mm	Thread 4-40 UNC	Clip	Tray (24 pcs)	194893
37	Pressfit	6.0 mm	3.3 mm	Threaded bolt M3	Clip	Tray (24 pcs)	194894
37	Pressfit	6.0 mm	3.3 mm	Threaded bolt 4-40 UNC	Clip	Tray (24 pcs)	194895
37	Pressfit	6.3 mm	3.0 mm	Through Hole 3.2 mm	Clip	Tray (24 pcs)	194390
37	Pressfit	6.3 mm	3.0 mm	Thread M3	Clip	Tray (24 pcs)	194394
37	Pressfit	6.3 mm	3.0 mm	Thread 4-40 UNC	Clip	Tray (24 pcs)	194393
37	Pressfit	6.3 mm	3.0 mm	Threaded bolt M3	Clip	Tray (24 pcs)	194392
37	Pressfit	6.3 mm	3.0 mm	Threaded bolt 4-40 UNC	Clip	Tray (24 pcs)	194391

D-Sub Connectors

Vertical Female 37 Pin



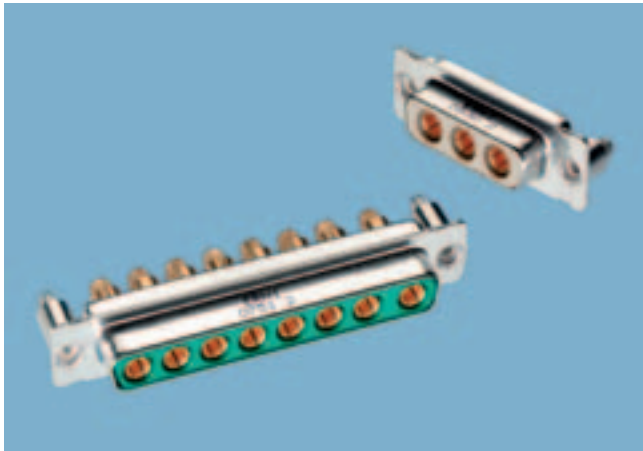
Ordering Information

Pressfit Versions

No. of Pins	Termination	Y Assembly Height	L Termination Length	Accessory Mating Side	Accessory Terminal Side	Packaging	Part Number
37	Pressfit	9.0 mm	3.0 mm	Through Hole 3.2 mm	Clip	Tray (24 pcs)	194932
37	Pressfit	9.0 mm	3.0 mm	Thread M3	Clip	Tray (24 pcs)	194933
37	Pressfit	9.0 mm	3.0 mm	Thread 4-40 UNC	Clip	Tray (24 pcs)	194934
37	Pressfit	9.0 mm	3.0 mm	Threaded bolt M3	Clip	Tray (24 pcs)	194935
37	Pressfit	9.0 mm	3.0 mm	Threaded bolt 4-40 UNC	Clip	Tray (24 pcs)	194936
37	Pressfit	6.3 mm	3.0 mm	Through Hole 3.5 mm	Screw	Tray (24 pcs)	204344
37	Pressfit	6.3 mm	3.0 mm	Thread M3	Screw M3	Tray (24 pcs)	204345
37	Pressfit	6.3 mm	3.0 mm	Thread 4-40 UNC	Screw 4-40 UNC	Tray (24 pcs)	204346
37	Pressfit	6.3 mm	3.0 mm	Threaded bolt M3	Screw M3	Tray (24 pcs)	204347
37	Pressfit	6.3 mm	3.0 mm	Threaded bolt 4-40 UNC	Screw 4-40 UNC	Tray (24 pcs)	204348
37	Pressfit	6.3 mm	3.0 mm	Threaded bolt 4-40 UNC	Screw M3	Tray (24 pcs)	214591

D-Sub Connectors

Vertical Female High Current



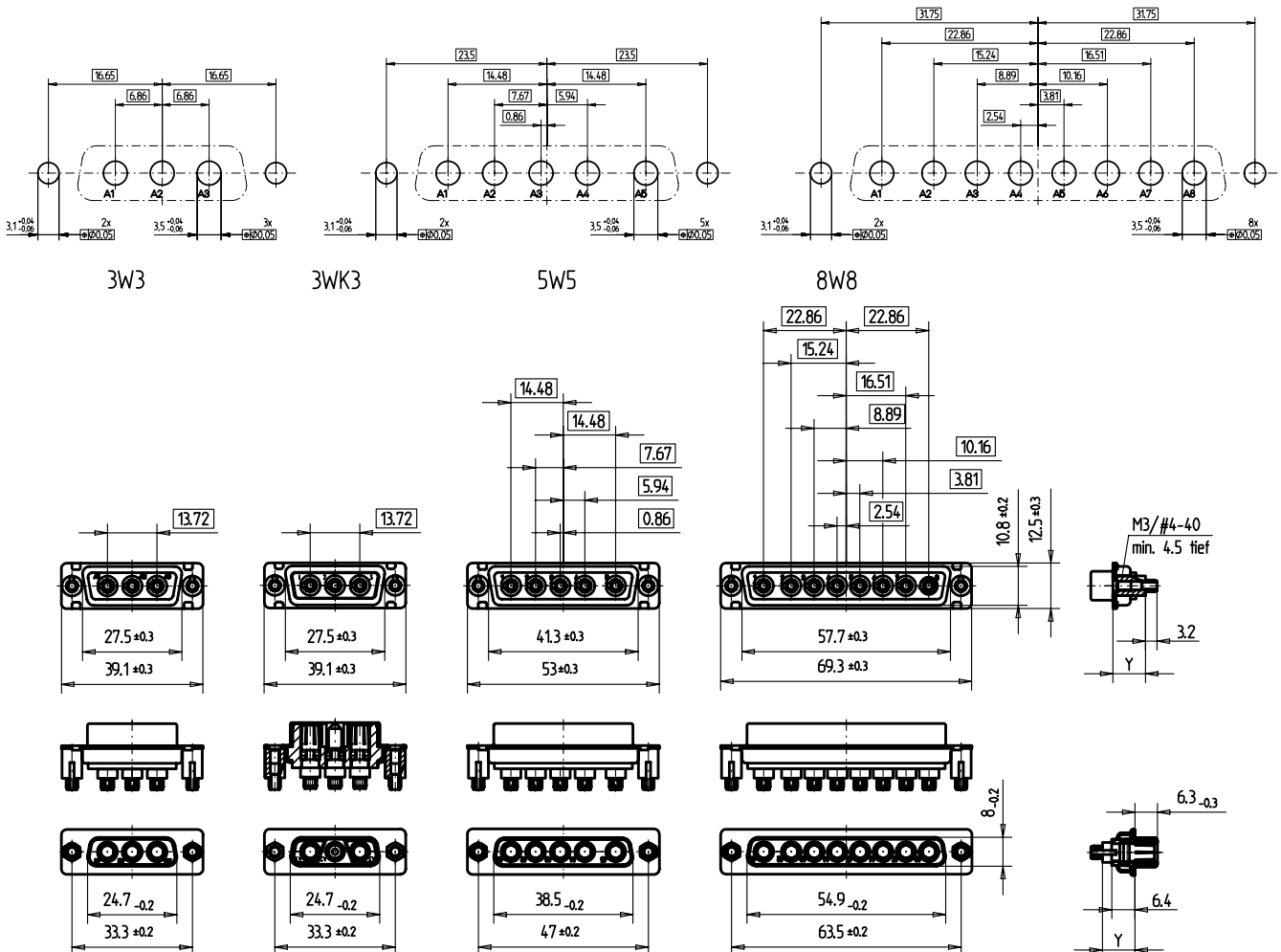
Versions with machined high current contacts

Dimensional Drawing 3W3, 3WK3, 5W5 and 8W8

Leiterplatten-Bohrbild S 3W3, 3WK3
PC Board Hole Pattern S 3W3, 3WK3

Leiterplatten-Bohrbild S 5W5
PC Board Hole Pattern S 5W5

Leiterplatten-Bohrbild S 8W8
PC Board Hole Pattern S 8W8



All dimensions in mm

D-Sub Connectors

Vertical Female High Current 3W3



Ordering Information

Pressfit Versions

No. of Pins	Termination	Current	Assembly Height	Termination Length	Accessory Mating Side	Accessory Terminal Side	Packaging	Part Number
3W3	Pressfit	30 A	6.3 mm	3.2 mm		Pressfit bolt M3	Cardboard (35 pcs)	134450
3W3	Pressfit	30 A	6.3 mm	3.2 mm		Pressfit bolt 4-40 UNC	Cardboard (35 pcs)	134451
3W3	Pressfit	30 A	6.3 mm	3.2 mm	Threaded bolt M3	Pressfit bolt	Cardboard (35 pcs)	134508
3W3	Pressfit	30 A	6.3 mm	3.2 mm	Threaded bolt 4-40 UNC	Pressfit bolt	Cardboard (35 pcs)	134509
3W3	Pressfit	30 A	9.0 mm	3.2 mm		Pressfit bolt M3	Cardboard (35 pcs)	104288
3W3	Pressfit	30 A	9.0 mm	3.2 mm		Pressfit bolt 4-40 UNC	Cardboard (35 pcs)	063623
3W3	Pressfit	30 A	9.0 mm	3.2 mm	Threaded bolt M3	Pressfit bolt	Cardboard (35 pcs)	103760
3W3	Pressfit	30 A	9.0 mm	3.2 mm	Threaded bolt 4-40 UNC	Pressfit bolt	Cardboard (35 pcs)	063787



Ordering Information

Pressfit Versions

No. of Pins	Termination	Current	Assembly Height	Termination Length	Accessory Mating Side	Accessory Terminal Side	Packaging	Part Number
3WK3	Pressfit	30 A	6.3 mm	3.2 mm		Pressfit bolt M3	Cardboard (35 pcs)	134454
3WK3	Pressfit	30 A	6.3 mm	3.2 mm		Pressfit bolt 4-40 UNC	Cardboard (35 pcs)	134455
3WK3	Pressfit	30 A	6.3 mm	3.2 mm	Threaded bolt M3	Pressfit bolt	Cardboard (35 pcs)	134510
3WK3	Pressfit	30 A	6.3 mm	3.2 mm	Threaded bolt 4-40 UNC	Pressfit bolt	Cardboard (35 pcs)	134511
3WK3	Pressfit	30 A	9.0 mm	3.2 mm		Pressfit bolt M3	Cardboard (35 pcs)	124185
3WK3	Pressfit	30 A	9.0 mm	3.2 mm		Pressfit bolt 4-40 UNC	Cardboard (35 pcs)	123162
3WK3	Pressfit	30 A	9.0 mm	3.2 mm	Threaded bolt M3	Pressfit bolt	Cardboard (35 pcs)	134512
3WK3	Pressfit	30 A	9.0 mm	3.2 mm	Threaded bolt 4-40 UNC	Pressfit bolt	Cardboard (35 pcs)	134513

D-Sub Connectors

Vertical Female High Current 5W5



Ordering Information

Pressfit Versions

No. of Pins	Termination	Current	Assembly Height	Termination Length	Accessory Mating Side	Accessory Terminal Side	Packaging	Part Number
5W5	Pressfit	30 A	6.3 mm	3.2 mm		Pressfit bolt M3	Cardboard (35 pcs)	134458
5W5	Pressfit	30 A	6.3 mm	3.2 mm		Pressfit bolt 4-40 UNC	Cardboard (35 pcs)	134459
5W5	Pressfit	30 A	6.3 mm	3.2 mm	Threaded bolt M3	Pressfit bolt	Cardboard (35 pcs)	134514
5W5	Pressfit	30 A	6.3 mm	3.2 mm	Threaded bolt 4-40 UNC	Pressfit bolt	Cardboard (35 pcs)	134515
5W5	Pressfit	30 A	9.0 mm	3.2 mm		Pressfit bolt M3	Cardboard (35 pcs)	104287
5W5	Pressfit	30 A	9.0 mm	3.2 mm		Pressfit bolt 4-40 UNC	Cardboard (35 pcs)	063622
5W5	Pressfit	30 A	9.0 mm	3.2 mm	Threaded bolt M3	Pressfit bolt	Cardboard (35 pcs)	114138
5W5	Pressfit	30 A	9.0 mm	3.2 mm	Threaded bolt 4-40 UNC	Pressfit bolt	Cardboard (35 pcs)	114139

D-Sub Connectors

Vertical Female High Current 8W8



Ordering Information

Pressfit Versions

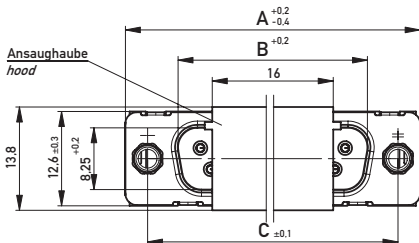
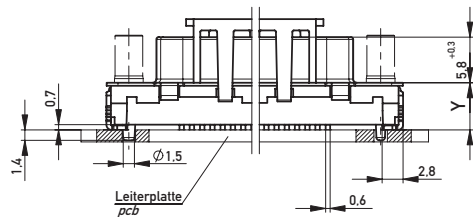
No. of Pins	Termination	Current	Assembly Height	Termination Length	Accessory Mating Side	Accessory Terminal Side	Packaging	Part Number
8W8	Pressfit	30 A	6.3 mm	3.2 mm		Pressfit bolt M3	Cardboard (35 pcs)	134462
8W8	Pressfit	30 A	6.3 mm	3.2 mm		Pressfit bolt 4-40 UNC	Cardboard (35 pcs)	134463
8W8	Pressfit	30 A	6.3 mm	3.2 mm	Threaded bolt M3	Pressfit bolt	Cardboard (35 pcs)	134516
8W8	Pressfit	30 A	6.3 mm	3.2 mm	Threaded bolt 4-40 UNC	Pressfit bolt	Cardboard (35 pcs)	134517
8W8	Pressfit	30 A	9.0 mm	3.2 mm		Pressfit bolt M3	Cardboard (35 pcs)	104286
8W8	Pressfit	30 A	9.0 mm	3.2 mm		Pressfit bolt 4-40 UNC	Cardboard (35 pcs)	063624
8W8	Pressfit	30 A	9.0 mm	3.2 mm	Threaded bolt M3	Pressfit bolt	Cardboard (35 pcs)	063786
8W8	Pressfit	30 A	9.0 mm	3.2 mm	Threaded bolt 4-40 UNC	Pressfit bolt	Cardboard (35 pcs)	114140

D-Sub Connectors

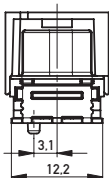
Vertical Male



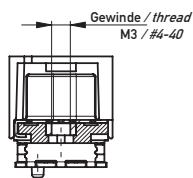
Dimensional Drawing SMT



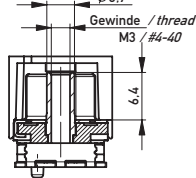
ohne / without



Mutter / nut

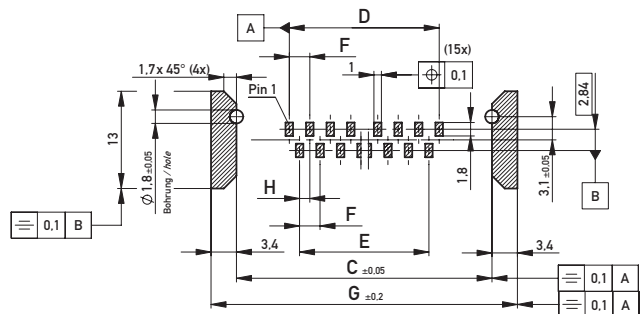


Bolzen / bolt



9	31.0	16.8	25.0	10.96	8.22	2.74	31.8	1.37
15	39.3	25.1	33.3	19.18	16.44	2.74	40.1	1.37
25	53.0	38.9	47.0	33.12	30.36	2.76	53.8	1.38
37	69.5	55.3	63.5	49.68	46.92	2.76	70.3	1.38
Pohlzahl No. of contacts	A	B	C	D	E	F	G	H

Layout:



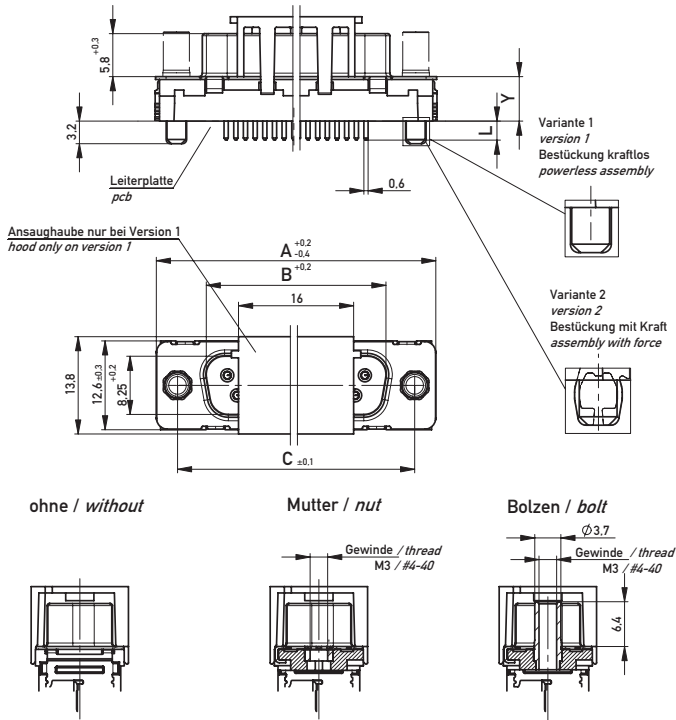
All dimensions in mm

D-Sub Connectors

Vertical Male

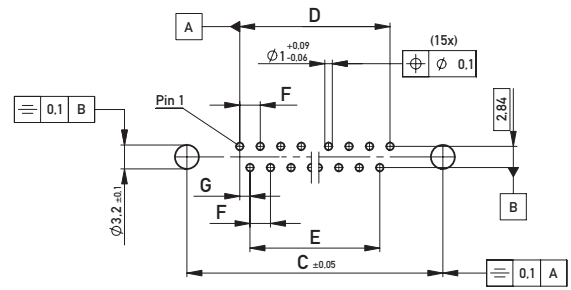


Dimensional Drawing THR

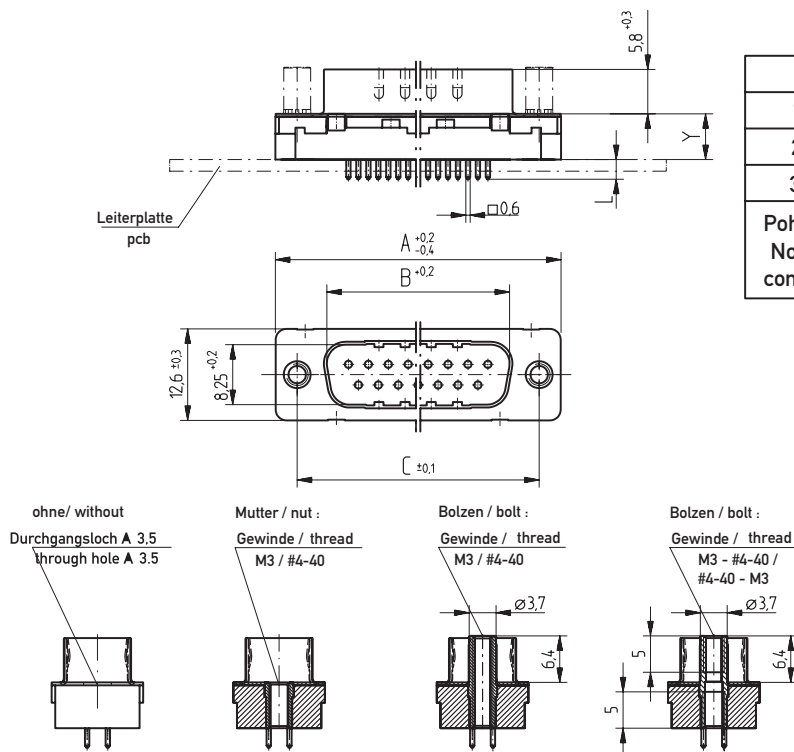


9	31.0	16.8	25.0	10.96	8.22	2.74	1.37
15	39.3	25.1	33.3	19.18	16.44	2.74	1.37
25	53.0	38.9	47.0	33.12	30.36	2.76	1.38
37	69.5	55.3	63.5	49.68	46.92	2.76	1.38
Pohlzahl No. of contacts	A	B	C	D	E	F	G

Layout: Version 1 / 2

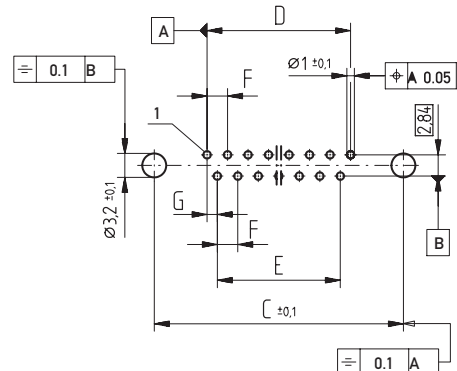


Dimensional Drawing Solder



9	31.0	16.8	25.0	10.96	8.22	2.74	1.37
15	39.3	25.1	33.3	19.18	16.44	2.74	1.37
25	53.0	38.9	47.0	33.12	30.36	2.76	1.38
37	69.5	55.3	63.5	49.68	46.92	2.76	1.38
Pohlzahl No. of contacts	A	B	C	D	E	F	G

Layout:



All dimensions in mm

D-Sub Connectors

Vertical Male 9 Pin



Ordering Information

SMT Versions

No. of Pins	Termination	Y Assembly Height	L Termination Length	Accessory Mating Side	Accessory Terminal Side	Packaging	Part Number
9	SMT	6.3 mm	–	None	–	Tray (48 pcs)	174385
9	SMT	6.3 mm	–	None	–	Tape & Reel (120 pcs)	194250
9	SMT	6.3 mm	–	Thread M3	–	Tray (48 pcs)	164001
9	SMT	6.3 mm	–	Thread M3	–	Tape & Reel (120 pcs)	194254
9	SMT	6.3 mm	–	Thread 4-40 UNC	–	Tray (48 pcs)	164005
9	SMT	6.3 mm	–	Thread 4-40 UNC	–	Tape & Reel (120 pcs)	194253
9	SMT	6.3 mm	–	Threaded bolt M3	–	Tray (48 pcs)	164009
9	SMT	6.3 mm	–	Threaded bolt M3	–	Tape & Reel (120 pcs)	194252
9	SMT	6.3 mm	–	Threaded bolt 4-40 UNC	–	Tray (48 pcs)	204263
9	SMT	6.3 mm	–	Threaded bolt 4-40 UNC	–	Tape & Reel (120 pcs)	194251

D-Sub Connectors

Vertical Male 9 Pin



Ordering Information

SMT Versions

No. of Pins	Termination	Y Assembly Height	L Termination Length	Accessory Mating Side	Accessory Terminal Side	Packaging	Part Number
9	SMT	9.0 mm	–	None	–	Tray (48 pcs)	194290
9	SMT	9.0 mm	–	None	–	Tape & Reel (75 pcs)	194295
9	SMT	9.0 mm	–	Thread M3	–	Tray (48 pcs)	194294
9	SMT	9.0 mm	–	Thread M3	–	Tape & Reel (75 pcs)	194299
9	SMT	9.0 mm	–	Thread 4-40 UNC	–	Tray (48 pcs)	194293
9	SMT	9.0 mm	–	Thread 4-40 UNC	–	Tape & Reel (75 pcs)	194298
9	SMT	9.0 mm	–	Threaded bolt M3	–	Tray (48 pcs)	194292
9	SMT	9.0 mm	–	Threaded bolt M3	–	Tape & Reel (75 pcs)	194297
9	SMT	9.0 mm	–	Threaded bolt 4-40 UNC	–	Tray (48 pcs)	194291
9	SMT	9.0 mm	–	Threaded bolt 4-40 UNC	–	Tape & Reel (75 pcs)	194296

D-Sub Connectors

Vertical Male 9 Pin



Ordering Information

THR Versions

No. of Pins	Termination	Y Assembly Height	L Termination Length	Accessory Mating Side	Accessory Terminal Side	Packaging	Part Number
9	THR	6.0 mm	3.0 mm	None	Clip with assembly force	Tray (48 pcs)	214563
9	THR	6.0 mm	3.0 mm	Thread M3	Clip with assembly force	Tray (48 pcs)	214564
9	THR	6.0 mm	3.0 mm	Threaded bolt 4-40 UNC	Clip with assembly force	Tray (48 pcs)	214565
9	THR	6.0 mm	3.0 mm	Threaded bolt M3	Clip with assembly force	Tray (48 pcs)	214566
9	THR	6.0 mm	3.0 mm	Threaded bolt 4-40 UNC	Clip with assembly force	Tray (48 pcs)	214567
9	THR	6.3 mm	1.7 mm	None	Clip with assembly force	Tray (48 pcs)	204878
9	THR	6.3 mm	1.7 mm	None	Clip without assembly force	Tray (48 pcs)	204873
9	THR	6.3 mm	1.7 mm	None	Clip without assembly force	Tape & Reel (75 pcs)	204868
9	THR	6.3 mm	1.7 mm	Thread M3	Clip with assembly force	Tray (48 pcs)	204879
9	THR	6.3 mm	1.7 mm	Thread M3	Clip without assembly force	Tray (48 pcs)	204874
9	THR	6.3 mm	1.7 mm	Thread M3	Clip without assembly force	Tape & Reel (75 pcs)	204869
9	THR	6.3 mm	1.7 mm	Thread 4-40 UNC	Clip with assembly force	Tray (48 pcs)	204880
9	THR	6.3 mm	1.7 mm	Thread 4-40 UNC	Clip without assembly force	Tray (48 pcs)	204875
9	THR	6.3 mm	1.7 mm	Thread 4-40 UNC	Clip without assembly force	Tape & Reel (75 pcs)	204870
9	THR	6.3 mm	1.7 mm	Threaded bolt M3	Clip with assembly force	Tray (48 pcs)	204881

D-Sub Connectors

Vertical Male 9 Pin



Ordering Information

THR Versions

No. of Pins	Termination	Y Assembly Height	L Termination Length	Accessory Mating Side	Accessory Terminal Side	Packaging	Part Number
9	THR	6.3 mm	1.7 mm	Threaded bolt M3	Clip without assembly force	Tray (48 pcs)	204876
9	THR	6.3 mm	1.7 mm	Threaded bolt M3	Clip without assembly force	Tape & Reel (75 pcs)	204871
9	THR	6.3 mm	1.7 mm	Threaded bolt 4-40 UNC	Clip with assembly force	Tray (48 pcs)	204882
9	THR	6.3 mm	1.7 mm	Threaded bolt 4-40 UNC	Clip without assembly force	Tray (48 pcs)	204877
9	THR	6.3 mm	1.7 mm	Threaded bolt 4-40 UNC	Clip without assembly force	Tape & Reel (75 pcs)	204872
9	THR	6.3 mm	2.7 mm	None	Clip with assembly force	Tray (48 pcs)	204908
9	THR	6.3 mm	2.7 mm	None	Clip without assembly force	Tray (48 pcs)	204903
9	THR	6.3 mm	2.7 mm	None	Clip without assembly force	Tape & Reel (75 pcs)	204898
9	THR	6.3 mm	2.7 mm	Thread M3	Clip with assembly force	Tray (48 pcs)	204909
9	THR	6.3 mm	2.7 mm	Thread M3	Clip without assembly force	Tray (48 pcs)	204904
9	THR	6.3 mm	2.7 mm	Thread M3	Clip without assembly force	Tape & Reel (75 pcs)	204899
9	THR	6.3 mm	2.7 mm	Thread 4-40 UNC	Clip with assembly force	Tray (48 pcs)	204910
9	THR	6.3 mm	2.7 mm	Thread 4-40 UNC	Clip without assembly force	Tray (48 pcs)	204905
9	THR	6.3 mm	2.7 mm	Thread 4-40 UNC	Clip without assembly force	Tape & Reel (75 pcs)	204900
9	THR	6.3 mm	2.7 mm	Threaded bolt M3	Clip with assembly force	Tray (48 pcs)	204911

D-Sub Connectors

Vertical Male 9 Pin



Ordering Information

THR Versions

No. of Pins	Termination	Y Assembly Height	L Termination Length	Accessory Mating Side	Accessory Terminal Side	Packaging	Part Number
9	THR	6.3 mm	2.7 mm	Threaded bolt M3	Clip without assembly force	Tray (48 pcs)	204906
9	THR	6.3 mm	2.7 mm	Threaded bolt M3	Clip without assembly force	Tape & Reel (75 pcs)	204901
9	THR	6.3 mm	2.7 mm	Threaded bolt 4-40 UNC	Clip with assembly force	Tray (48 pcs)	204912
9	THR	6.3 mm	2.7 mm	Threaded bolt 4-40 UNC	Clip without assembly force	Tray (48 pcs)	204907
9	THR	6.3 mm	2.7 mm	Threaded bolt 4-40 UNC	Clip without assembly force	Tape & Reel (75 pcs)	204902
9	THR	6.3 mm	5.3 mm	Threaded bolt 4-40 UNC	Clip with assembly force	Tray (48 pcs)	204106
9	THR	6.3 mm	5.3 mm	Threaded bolt 4-40 UNC	Clip without assembly force	Tray (48 pcs)	214105
9	THR	6.3 mm	5.3 mm	Threaded bolt 4-40 UNC	Clip without assembly force	Tape & Reel (75 pcs)	204104
9	THR	7.0 mm	4.6 mm	None	Clip with assembly force	Tray (48 pcs)	214160
9	THR	7.0 mm	4.6 mm	Thread M3	Clip with assembly force	Tray (48 pcs)	214161
9	THR	7.0 mm	4.6 mm	Thread 4-40 UNC	Clip with assembly force	Tray (48 pcs)	214162
9	THR	7.0 mm	4.6 mm	Threaded bolt M3	Clip with assembly force	Tray (48 pcs)	214163
9	THR	7.0 mm	4.6 mm	Threaded bolt 4-40 UNC	Clip with assembly force	Tray (48 pcs)	214164

D-Sub Connectors

Vertical Male 9 Pin



Ordering Information

Solder Versions

No. of Pins	Termination	Y Assembly Height	L Termination Length	Accessory Mating Side	Accessory Terminal Side	Packaging	Part Number
9	Solder	6.3 mm	2.7 mm	Threaded bolt 4-40 UNC	Clip	Tray (48 pcs)	284844
9	Solder	11.0 mm	3.1 mm	None	Clip	Tray (48 pcs)	174542
9	Solder	11.0 mm	3.1 mm	Thread M3	Clip	Tray (48 pcs)	174533
9	Solder	11.0 mm	3.1 mm	Thread 4-40 UNC	Clip	Tray (48 pcs)	174534
9	Solder	11.0 mm	3.1 mm	Threaded bolt M3	Clip	Tray (48 pcs)	174535
9	Solder	11.0 mm	3.1 mm	Threaded bolt 4-40 UNC	Clip	Tray (48 pcs)	174536
9	Solder	6.3 mm	2.7 mm	Through Hole 3.5 mm	Screw	Tray (48 pcs)	214711
9	Solder	6.3 mm	2.7 mm	Thread M3	Screw M3	Tray (48 pcs)	214712
9	Solder	6.3 mm	2.7 mm	Thread 4-40 UNC	Screw 4-40 UNC	Tray (48 pcs)	214713
9	Solder	6.3 mm	2.7 mm	Threaded bolt M3	Screw M3	Tray (48 pcs)	214715
9	Solder	6.3 mm	2.7 mm	Threaded bolt 4-40 UNC	Screw 4-40 UNC	Tray (48 pcs)	214716
9	Solder	6.3 mm	2.7 mm	Threaded bolt 4-40 UNC	Screw M3	Tray (48 pcs)	214714

D-Sub Connectors

Vertical Male 9 Pin



Ordering Information

Pressfit Versions

No. of Pins	Termination	Y Assembly Height	L Termination Length	Accessory Mating Side	Accessory Terminal Side	Packaging	Part Number
9	Pressfit	6.0 mm	3.3 mm	None	Clip	Tray (48 pcs)	194725
9	Pressfit	6.0 mm	3.3 mm	Thread M3	Clip	Tray (48 pcs)	194729
9	Pressfit	6.0 mm	3.3 mm	Thread 4-40 UNC	Clip	Tray (48 pcs)	194728
9	Pressfit	6.0 mm	3.3 mm	Threaded bolt M3	Clip	Tray (48 pcs)	194727
9	Pressfit	6.0 mm	3.3 mm	Threaded bolt 4-40 UNC	Clip	Tray (48 pcs)	194726
9	Pressfit	6.3 mm	3.0 mm	Through Hole 3.2 mm	Clip	Tray (48 pcs)	194057
9	Pressfit	6.3 mm	3.0 mm	Thread M3	Clip	Tray (48 pcs)	194054
9	Pressfit	6.3 mm	3.0 mm	Thread 4-40 UNC	Clip	Tray (48 pcs)	194055
9	Pressfit	6.3 mm	3.0 mm	Threaded bolt M3	Clip	Tray (48 pcs)	194056
9	Pressfit	6.3 mm	3.0 mm	Threaded bolt 4-40 UNC	Clip	Tray (48 pcs)	194036

D-Sub Connectors

Vertical Male 9 Pin



Ordering Information

Pressfit Versions

No. of Pins	Termination	Y Assembly Height	L Termination Length	Accessory Mating Side	Accessory Terminal Side	Packaging	Part Number
9	Pressfit	9.0 mm	3.0 mm	Through Hole 3.2 mm	Clip	Tray (48 pcs)	194897
9	Pressfit	9.0 mm	3.0 mm	Thread M3	Clip	Tray (48 pcs)	194898
9	Pressfit	9.0 mm	3.0 mm	Thread 4-40 UNC	Clip	Tray (48 pcs)	194899
9	Pressfit	9.0 mm	3.0 mm	Threaded bolt M3	Clip	Tray (48 pcs)	194900
9	Pressfit	9.0 mm	3.0 mm	Threaded bolt 4-40 UNC	Clip	Tray (48 pcs)	194901
9	Pressfit	6.3 mm	3.0 mm	Through Hole 3.5 mm	Screw	Tray (48 pcs)	204284
9	Pressfit	6.3 mm	3.0 mm	Thread M3	Screw M3	Tray (48 pcs)	204288
9	Pressfit	6.3 mm	3.0 mm	Thread 4-40 UNC	Screw 4-40 UNC	Tray (48 pcs)	204287
9	Pressfit	6.3 mm	3.0 mm	Threaded bolt M3	Screw M3	Tray (48 pcs)	204286
9	Pressfit	6.3 mm	3.0 mm	Threaded bolt 4-40 UNC	Screw 4-40 UNC	Tray (48 pcs)	204285
9	Pressfit	6.3 mm	3.0 mm	Threaded bolt 4-40 UNC	Screw M3	Tray (48 pcs)	214584

D-Sub Connectors

Vertical Male 15 Pin



Ordering Information

SMT Versions

No. of Pins	Termination	Y Assembly Height	L Termination Length	Accessory Mating Side	Accessory Terminal Side	Packaging	Part Number
15	SMT	6.3 mm	–	None	–	Tray (36 pcs)	174386
15	SMT	6.3 mm	–	None	–	Tape & Reel (120 pcs)	194255
15	SMT	6.3 mm	–	Thread M3	–	Tray (36 pcs)	164002
15	SMT	6.3 mm	–	Thread M3	–	Tape & Reel (120 pcs)	194259
15	SMT	6.3 mm	–	Thread 4-40 UNC	–	Tray (36 pcs)	164006
15	SMT	6.3 mm	–	Thread 4-40 UNC	–	Tape & Reel (120 pcs)	194258
15	SMT	6.3 mm	–	Threaded bolt M3	–	Tray (36 pcs)	164010
15	SMT	6.3 mm	–	Threaded bolt M3	–	Tape & Reel (120 pcs)	194257
15	SMT	6.3 mm	–	Threaded bolt 4-40 UNC	–	Tray (36 pcs)	164014
15	SMT	6.3 mm	–	Threaded bolt 4-40 UNC	–	Tape & Reel (120 pcs)	194256

D-Sub Connectors

Vertical Male 15 Pin



Ordering Information

SMT Versions

No. of Pins	Termination	Y Assembly Height	L Termination Length	Accessory Mating Side	Accessory Terminal Side	Packaging	Part Number
15	SMT	9.0 mm	–	None	–	Tray (36 pcs)	194300
15	SMT	9.0 mm	–	None	–	Tape & Reel (75 pcs)	194305
15	SMT	9.0 mm	–	Thread M3	–	Tray (36 pcs)	194304
15	SMT	9.0 mm	–	Thread M3	–	Tape & Reel (75 pcs)	194309
15	SMT	9.0 mm	–	Thread 4-40 UNC	–	Tray (36 pcs)	194303
15	SMT	9.0 mm	–	Thread 4-40 UNC	–	Tape & Reel (75 pcs)	194308
15	SMT	9.0 mm	–	Threaded bolt M3	–	Tray (36 pcs)	194302
15	SMT	9.0 mm	–	Threaded bolt M3	–	Tape & Reel (75 pcs)	194307
15	SMT	9.0 mm	–	Threaded bolt 4-40 UNC	–	Tray (36 pcs)	194301
15	SMT	9.0 mm	–	Threaded bolt 4-40 UNC	–	Tape & Reel (75 pcs)	194306

D-Sub Connectors

Vertical Male 15 Pin



Ordering Information

THR Versions

No. of Pins	Termination	Y Assembly Height	L Termination Length	Accessory Mating Side	Accessory Terminal Side	Packaging	Part Number
15	THR	6.3 mm	2.7 mm	None	Clip with assembly force	Tray (36 pcs)	234867
15	THR	6.3 mm	2.7 mm	None	Clip without assembly force	Tray (36 pcs)	234862
15	THR	6.3 mm	2.7 mm	Thread M3	Clip with assembly force	Tray (36 pcs)	234868
15	THR	6.3 mm	2.7 mm	Thread M3	Clip without assembly force	Tray (36 pcs)	234863
15	THR	6.3 mm	2.7 mm	Thread 4-40 UNC	Clip with assembly force	Tray (36 pcs)	234171
15	THR	6.3 mm	2.7 mm	Thread 4-40 UNC	Clip without assembly force	Tray (36 pcs)	234864
15	THR	6.3 mm	2.7 mm	Threaded bolt M3	Clip with assembly force	Tray (36 pcs)	234869
15	THR	6.3 mm	2.7 mm	Threaded bolt M3	Clip without assembly force	Tray (36 pcs)	234865
15	THR	6.3 mm	2.7 mm	Threaded bolt 4-40 UNC	Clip with assembly force	Tray (36 pcs)	224783
15	THR	6.3 mm	2.7 mm	Threaded bolt 4-40 UNC	Clip without assembly force	Tray (36 pcs)	234866
15	THR	6.3 mm	5.3 mm	None	Clip without assembly force	Tray (36 pcs)	174987
15	THR	6.3 mm	5.3 mm	Thread M3	Clip without assembly force	Tray (36 pcs)	194073
15	THR	6.3 mm	5.3 mm	Thread 4-40 UNC	Clip without assembly force	Tray (36 pcs)	194072
15	THR	6.3 mm	5.3 mm	Threaded bolt M3	Clip without assembly force	Tray (36 pcs)	194071
15	THR	6.3 mm	5.3 mm	Threaded bolt 4-40 UNC	Clip without assembly force	Tray (36 pcs)	194070

D-Sub Connectors

Vertical Male 15 Pin



Ordering Information

Solder Versions

No. of Pins	Termination	Y Assembly Height	L Termination Length	Accessory Mating Side	Accessory Terminal Side	Packaging	Part Number
15	Solder	6.3 mm	2.7 mm	Through Hole 3.5 mm	Screw	Tray (36 pcs)	214717
15	Solder	6.3 mm	2.7 mm	Thread M3	Screw M3	Tray (36 pcs)	214718
15	Solder	6.3 mm	2.7 mm	Thread 4-40 UNC	Screw 4-40 UNC	Tray (36 pcs)	214719
15	Solder	6.3 mm	2.7 mm	Threaded bolt M3	Screw M3	Tray (36 pcs)	214721
15	Solder	6.3 mm	2.7 mm	Threaded bolt 4-40 UNC	Screw 4-40 UNC	Tray (36 pcs)	214722

D-Sub Connectors

Vertical Male 15 Pin



Ordering Information

Pressfit Versions

No. of Pins	Termination	Y Assembly Height	L Termination Length	Accessory Mating Side	Accessory Terminal Side	Packaging	Part Number
15	Pressfit	5.6 mm	3.7 mm	None	Clip	Tray (36 pcs)	234182
15	Pressfit	5.6 mm	3.7 mm	Thread M3	Clip	Tray (36 pcs)	234186
15	Pressfit	5.6 mm	3.7 mm	Thread 4-40 UNC	Clip	Tray (36 pcs)	234185
15	Pressfit	5.6 mm	3.7 mm	Threaded bolt M3	Clip	Tray (36 pcs)	234184
15	Pressfit	5.6 mm	3.7 mm	Threaded bolt 4-40 UNC	Clip	Tray (36 pcs)	234183
15	Pressfit	6.0 mm	3.3 mm	None	Clip	Tray (36 pcs)	194730
15	Pressfit	6.0 mm	3.3 mm	Thread M3	Clip	Tray (36 pcs)	194734
15	Pressfit	6.0 mm	3.3 mm	Thread 4-40 UNC	Clip	Tray (36 pcs)	194733
15	Pressfit	6.0 mm	3.3 mm	Threaded bolt M3	Clip	Tray (36 pcs)	194732
15	Pressfit	6.0 mm	3.3 mm	Threaded bolt 4-40 UNC	Clip	Tray (36 pcs)	194731
15	Pressfit	6.3 mm	3.0 mm	Through Hole 3.2 mm	Clip	Tray (36 pcs)	194370
15	Pressfit	6.3 mm	3.0 mm	Thread M3	Clip	Tray (36 pcs)	194374
15	Pressfit	6.3 mm	3.0 mm	Thread 4-40 UNC	Clip	Tray (36 pcs)	194373
15	Pressfit	6.3 mm	3.0 mm	Threaded bolt M3	Clip	Tray (36 pcs)	194372
15	Pressfit	6.3 mm	3.0 mm	Threaded bolt 4-40 UNC	Clip	Tray (36 pcs)	194371

D-Sub Connectors

Vertical Male 15 Pin



Ordering Information

Pressfit Versions

No. of Pins	Termination	Y Assembly Height	L Termination Length	Accessory Mating Side	Accessory Terminal Side	Packaging	Part Number
15	Pressfit	9.0 mm	3.0 mm	Through Hole 3.2 mm	Clip	Tray (36 pcs)	194902
15	Pressfit	9.0 mm	3.0 mm	Thread M3	Clip	Tray (36 pcs)	194903
15	Pressfit	9.0 mm	3.0 mm	Thread 4-40 UNC	Clip	Tray (36 pcs)	194904
15	Pressfit	9.0 mm	3.0 mm	Threaded bolt M3	Clip	Tray (36 pcs)	194905
15	Pressfit	9.0 mm	3.0 mm	Threaded bolt 4-40 UNC	Clip	Tray (36 pcs)	194906
15	Pressfit	6.3 mm	3.0 mm	Through Hole 3.5 mm	Screw	Tray (36 pcs)	204319
15	Pressfit	6.3 mm	3.0 mm	Thread M3	Screw M3	Tray (36 pcs)	204320
15	Pressfit	6.3 mm	3.0 mm	Thread 4-40 UNC	Screw 4-40 UNC	Tray (36 pcs)	204321
15	Pressfit	6.3 mm	3.0 mm	Threaded bolt M3	Screw M3	Tray (36 pcs)	204322
15	Pressfit	6.3 mm	3.0 mm	Threaded bolt 4-40 UNC	Screw 4-40 UNC	Tray (36 pcs)	204323
15	Pressfit	6.3 mm	3.0 mm	Threaded bolt 4-40 UNC	Screw M3	Tray (36 pcs)	214585

D-Sub Connectors

Vertical Male 25 Pin



Ordering Information

SMT Versions

No. of Pins	Termination	Y Assembly Height	L Termination Length	Accessory Mating Side	Accessory Terminal Side	Packaging	Part Number
25	SMT	6.3 mm	–	None	–	Tray (30 pcs)	174387
25	SMT	6.3 mm	–	None	–	Tape & Reel (120 pcs)	194260
25	SMT	6.3 mm	–	Thread M3	–	Tray (30 pcs)	164003
25	SMT	6.3 mm	–	Thread M3	–	Tape & Reel (120 pcs)	194264
25	SMT	6.3 mm	–	Thread 4-40 UNC	–	Tray (30 pcs)	164007
25	SMT	6.3 mm	–	Thread 4-40 UNC	–	Tape & Reel (120 pcs)	194263
25	SMT	6.3 mm	–	Threaded bolt M3	–	Tray (30 pcs)	164011
25	SMT	6.3 mm	–	Threaded bolt M3	–	Tape & Reel (120 pcs)	194262
25	SMT	6.3 mm	–	Threaded bolt 4-40 UNC	–	Tray (30 pcs)	164015
25	SMT	6.3 mm	–	Threaded bolt 4-40 UNC	–	Tape & Reel (120 pcs)	194261

D-Sub Connectors

Vertical Male 25 Pin



Ordering Information

SMT Versions

No. of Pins	Termination	Y Assembly Height	L Termination Length	Accessory Mating Side	Accessory Terminal Side	Packaging	Part Number
25	SMT	9.0 mm	–	None	–	Tray (30 pcs)	194310
25	SMT	9.0 mm	–	None	–	Tape & Reel (75 pcs)	194315
25	SMT	9.0 mm	–	Thread M3	–	Tray (30 pcs)	194314
25	SMT	9.0 mm	–	Thread M3	–	Tape & Reel (75 pcs)	194319
25	SMT	9.0 mm	–	Thread 4-40 UNC	–	Tray (30 pcs)	194313
25	SMT	9.0 mm	–	Thread 4-40 UNC	–	Tape & Reel (75 pcs)	194318
25	SMT	9.0 mm	–	Threaded bolt M3	–	Tray (30 pcs)	194312
25	SMT	9.0 mm	–	Threaded bolt M3	–	Tape & Reel (75 pcs)	194317
25	SMT	9.0 mm	–	Threaded bolt 4-40 UNC	–	Tray (30 pcs)	194311
25	SMT	9.0 mm	–	Threaded bolt 4-40 UNC	–	Tape & Reel (75 pcs)	194316

D-Sub Connectors

Vertical Male 25 Pin



Ordering Information

THR Versions

No. of Pins	Termination	Y Assembly Height	L Termination Length	Accessory Mating Side	Accessory Terminal Side	Packaging	Part Number
25	THR	6.3 mm	2.7 mm	None	Clip with assembly force	Tray (30 pcs)	234880
25	THR	6.3 mm	2.7 mm	None	Clip without assembly force	Tray (30 pcs)	234875
25	THR	6.3 mm	2.7 mm	Thread M3	Clip with assembly force	Tray (30 pcs)	234881
25	THR	6.3 mm	2.7 mm	Thread M3	Clip without assembly force	Tray (30 pcs)	234876
25	THR	6.3 mm	2.7 mm	Thread 4-40 UNC	Clip with assembly force	Tray (30 pcs)	234172
25	THR	6.3 mm	2.7 mm	Thread 4-40 UNC	Clip without assembly force	Tray (30 pcs)	234877
25	THR	6.3 mm	2.7 mm	Threaded bolt M3	Clip with assembly force	Tray (30 pcs)	234882
25	THR	6.3 mm	2.7 mm	Threaded bolt M3	Clip without assembly force	Tray (30 pcs)	234878
25	THR	6.3 mm	2.7 mm	Threaded bolt 4-40 UNC	Clip with assembly force	Tray (30 pcs)	224603
25	THR	6.3 mm	2.7 mm	Threaded bolt 4-40 UNC	Clip without assembly force	Tray (30 pcs)	234567
25	THR	9.0 mm	2.6 mm	None	Clip without assembly force	Tray (30 pcs)	194078
25	THR	9.0 mm	2.6 mm	Thread M3	Clip without assembly force	Tray (30 pcs)	194082
25	THR	9.0 mm	2.6 mm	Thread 4-40 UNC	Clip without assembly force	Tray (30 pcs)	194081
25	THR	9.0 mm	2.6 mm	Threaded bolt M3	Clip without assembly force	Tray (30 pcs)	194080
25	THR	9.0 mm	2.6 mm	Threaded bolt 4-40 UNC	Clip without assembly force	Tray (30 pcs)	194079

D-Sub Connectors

Vertical Male 25 Pin



Ordering Information

Solder Versions

No. of Pins	Termination	Y Assembly Height	L Termination Length	Accessory Mating Side	Accessory Terminal Side	Packaging	Part Number
25	Solder	6.3 mm	2.7 mm	Through Hole 3.5 mm	Screw	Tray (30 pcs)	214723
25	Solder	6.3 mm	2.7 mm	Thread M3	Screw M3	Tray (30 pcs)	214724
25	Solder	6.3 mm	2.7 mm	Thread 4-40 UNC	Screw 4-40 UNC	Tray (30 pcs)	214725
25	Solder	6.3 mm	2.7 mm	Threaded bolt M3	Screw M3	Tray (30 pcs)	214727
25	Solder	6.3 mm	2.7 mm	Threaded bolt 4-40 UNC	Screw 4-40 UNC	Tray (30 pcs)	214728
25	Solder	6.3 mm	2.7 mm	Threaded bolt 4-40 UNC	Screw M3	Tray (30 pcs)	214726

D-Sub Connectors

Vertical Male 25 Pin



Ordering Information

Pressfit Versions

No. of Pins	Termination	Y Assembly Height	L Termination Length	Accessory Mating Side	Accessory Terminal Side	Packaging	Part Number
25	Pressfit	6.0 mm	3.3 mm	None	Clip	Tray (30 pcs)	194681
25	Pressfit	6.0 mm	3.3 mm	Thread M3	Clip	Tray (30 pcs)	194685
25	Pressfit	6.0 mm	3.3 mm	Thread 4-40 UNC	Clip	Tray (30 pcs)	194684
25	Pressfit	6.0 mm	3.3 mm	Threaded bolt M3	Clip	Tray (30 pcs)	194683
25	Pressfit	6.0 mm	3.3 mm	Threaded bolt 4-40 UNC	Clip	Tray (30 pcs)	194682
25	Pressfit	6.3 mm	3.0 mm	Through Hole 3.2 mm	Clip	Tray (30 pcs)	194375
25	Pressfit	6.3 mm	3.0 mm	Thread M3	Clip	Tray (30 pcs)	194379
25	Pressfit	6.3 mm	3.0 mm	Thread 4-40 UNC	Clip	Tray (30 pcs)	194378
25	Pressfit	6.3 mm	3.0 mm	Threaded bolt M3	Clip	Tray (30 pcs)	194377
25	Pressfit	6.3 mm	3.0 mm	Threaded bolt 4-40 UNC	Clip	Tray (30 pcs)	194376

D-Sub Connectors

Vertical Male 25 Pin



Ordering Information

Pressfit versions

No. of Pins	Termination	Y Assembly Height	L Termination Length	Accessory Mating Side	Accessory Terminal Side	Packaging	Part Number
25	Pressfit	9.0 mm	3.0 mm	Through Hole 3.2 mm	Clip	Tray (30 pcs)	194907
25	Pressfit	9.0 mm	3.0 mm	Thread M3	Clip	Tray (30 pcs)	194908
25	Pressfit	9.0 mm	3.0 mm	Thread 4-40 UNC	Clip	Tray (30 pcs)	194909
25	Pressfit	9.0 mm	3.0 mm	Threaded bolt M3	Clip	Tray (30 pcs)	194910
25	Pressfit	9.0 mm	3.0 mm	Threaded bolt 4-40 UNC	Clip	Tray (30 pcs)	194911
25	Pressfit	6.3 mm	3.0 mm	Through Hole 3.5 mm	Screw	Tray (30 pcs)	204329
25	Pressfit	6.3 mm	3.0 mm	Thread M3	Screw M3	Tray (30 pcs)	204333
25	Pressfit	6.3 mm	3.0 mm	Thread 4-40 UNC	Screw 4-40 UNC	Tray (30 pcs)	204332
25	Pressfit	6.3 mm	3.0 mm	Threaded bolt M3	Screw M3	Tray (30 pcs)	204331
25	Pressfit	6.3 mm	3.0 mm	Threaded bolt 4-40 UNC	Screw 4-40 UNC	Tray (30 pcs)	204330
25	Pressfit	6.3 mm	3.0 mm	Threaded bolt 4-40 UNC	Screw M3	Tray (30 pcs)	214586

D-Sub Connectors

Vertical Male 37 Pin



Ordering Information

SMT Versions

No. of Pins	Termination	Y Assembly Height	L Termination Length	Accessory Mating Side	Accessory Terminal Side	Packaging	Part Number
37	SMT	6.3 mm	–	None	–	Tray (24 pcs)	174388
37	SMT	6.3 mm	–	None	–	Tape & Reel (120 pcs)	194265
37	SMT	6.3 mm	–	Thread M3	–	Tray (24 pcs)	164004
37	SMT	6.3 mm	–	Thread M3	–	Tape & Reel (120 pcs)	194269
37	SMT	6.3 mm	–	Thread 4-40 UNC	–	Tray (24 pcs)	164008
37	SMT	6.3 mm	–	Thread 4-40 UNC	–	Tape & Reel (120 pcs)	194268
37	SMT	6.3 mm	–	Threaded bolt M3	–	Tray (24 pcs)	164012
37	SMT	6.3 mm	–	Threaded bolt M3	–	Tape & Reel (120 pcs)	194267
37	SMT	6.3 mm	–	Threaded bolt 4-40 UNC	–	Tray (24 pcs)	164016
37	SMT	6.3 mm	–	Threaded bolt 4-40 UNC	–	Tape & Reel (120 pcs)	194266

D-Sub Connectors

Vertical Male 37 Pin



Ordering Information

SMT Versions

No. of Pins	Termination	Y Assembly Height	L Termination Length	Accessory Mating Side	Accessory Terminal Side	Packaging	Part Number
37	SMT	9.0 mm	–	None	–	Tray (24 pcs)	194320
37	SMT	9.0 mm	–	None	–	Tape & Reel (75 pcs)	194325
37	SMT	9.0 mm	–	Thread M3	–	Tray (24 pcs)	194324
37	SMT	9.0 mm	–	Thread M3	–	Tape & Reel (75 pcs)	194329
37	SMT	9.0 mm	–	Thread 4-40 UNC	–	Tray (24 pcs)	194323
37	SMT	9.0 mm	–	Thread 4-40 UNC	–	Tape & Reel (75 pcs)	194328
37	SMT	9.0 mm	–	Threaded bolt M3	–	Tray (24 pcs)	194322
37	SMT	9.0 mm	–	Threaded bolt M3	–	Tape & Reel (75 pcs)	194327
37	SMT	9.0 mm	–	Threaded bolt 4-40 UNC	–	Tray (24 pcs)	194321
37	SMT	9.0 mm	–	Threaded bolt 4-40 UNC	–	Tape & Reel (75 pcs)	194326

D-Sub Connectors

Vertical Male 37 Pin



Ordering Information

THR Versions

No. of Pins	Termination	Y Assembly Height	L Termination Length	Accessory Mating Side	Accessory Terminal Side	Packaging	Part Number
37	THR	6.3 mm	2.7 mm	None	Clip with assembly force	Tray (24 pcs)	234893
37	THR	6.3 mm	2.7 mm	None	Clip without assembly force	Tray (24 pcs)	234888
37	THR	6.3 mm	2.7 mm	Thread M3	Clip with assembly force	Tray (24 pcs)	234894
37	THR	6.3 mm	2.7 mm	Thread M3	Clip without assembly force	Tray (24 pcs)	234889
37	THR	6.3 mm	2.7 mm	Thread 4-40 UNC	Clip with assembly force	Tray (24 pcs)	234173
37	THR	6.3 mm	2.7 mm	Thread 4-40 UNC	Clip without assembly force	Tray (24 pcs)	234890
37	THR	6.3 mm	2.7 mm	Threaded bolt M3	Clip with assembly force	Tray (24 pcs)	234895
37	THR	6.3 mm	2.7 mm	Threaded bolt M3	Clip without assembly force	Tray (24 pcs)	234891
37	THR	6.3 mm	2.7 mm	Threaded bolt 4-40 UNC	Clip with assembly force	Tray (24 pcs)	224784
37	THR	6.3 mm	2.7 mm	Threaded bolt 4-40 UNC	Clip without assembly force	Tray (24 pcs)	234892

D-Sub Connectors

Vertical Male 37 Pin



Ordering Information

Solder Versions

No. of Pins	Termination	Y Assembly Height	L Termination Length	Accessory Mating Side	Accessory Terminal Side	Packaging	Part Number
37	Solder	6.3 mm	2.7 mm	Through Hole 3.5 mm	Screw	Tray (24 pcs)	214729
37	Solder	6.3 mm	2.7 mm	Thread M3	Screw M3	Tray (24 pcs)	214730
37	Solder	6.3 mm	2.7 mm	Thread 4-40 UNC	Screw 4-40 UNC	Tray (24 pcs)	214731
37	Solder	6.3 mm	2.7 mm	Threaded bolt M3	Screw M3	Tray (24 pcs)	214733
37	Solder	6.3 mm	2.7 mm	Threaded bolt 4-40 UNC	Screw 4-40 UNC	Tray (24 pcs)	214734
37	Solder	6.3 mm	2.7 mm	Threaded bolt 4-40 UNC	Screw M3	Tray (24 pcs)	214732

D-Sub Connectors

Vertical Male 37 Pin



Ordering Information

Pressfit Versions

No. of Pins	Termination	Y Assembly Height	L Termination Length	Accessory Mating Side	Accessory Terminal Side	Packaging	Part Number
37	Pressfit	6.0 mm	3.3 mm	None	Clip	Tray (24 pcs)	194720
37	Pressfit	6.0 mm	3.3 mm	Thread M3	Clip	Tray (24 pcs)	194724
37	Pressfit	6.0 mm	3.3 mm	Thread 4-40 UNC	Clip	Tray (24 pcs)	194723
37	Pressfit	6.0 mm	3.3 mm	Threaded bolt M3	Clip	Tray (24 pcs)	194722
37	Pressfit	6.0 mm	3.3 mm	Threaded bolt 4-40 UNC	Clip	Tray (24 pcs)	194721
37	Pressfit	6.3 mm	3.0 mm	Through Hole 3.2 mm	Clip	Tray (24 pcs)	194113
37	Pressfit	6.3 mm	3.0 mm	Thread M3	Clip	Tray (24 pcs)	194114
37	Pressfit	6.3 mm	3.0 mm	Thread 4-40 UNC	Clip	Tray (24 pcs)	194115
37	Pressfit	6.3 mm	3.0 mm	Threaded bolt M3	Clip	Tray (24 pcs)	194116
37	Pressfit	6.3 mm	3.0 mm	Threaded bolt 4-40 UNC	Clip	Tray (24 pcs)	194117

D-Sub Connectors

Vertical Male 37 Pin



Ordering Information

Pressfit Versions

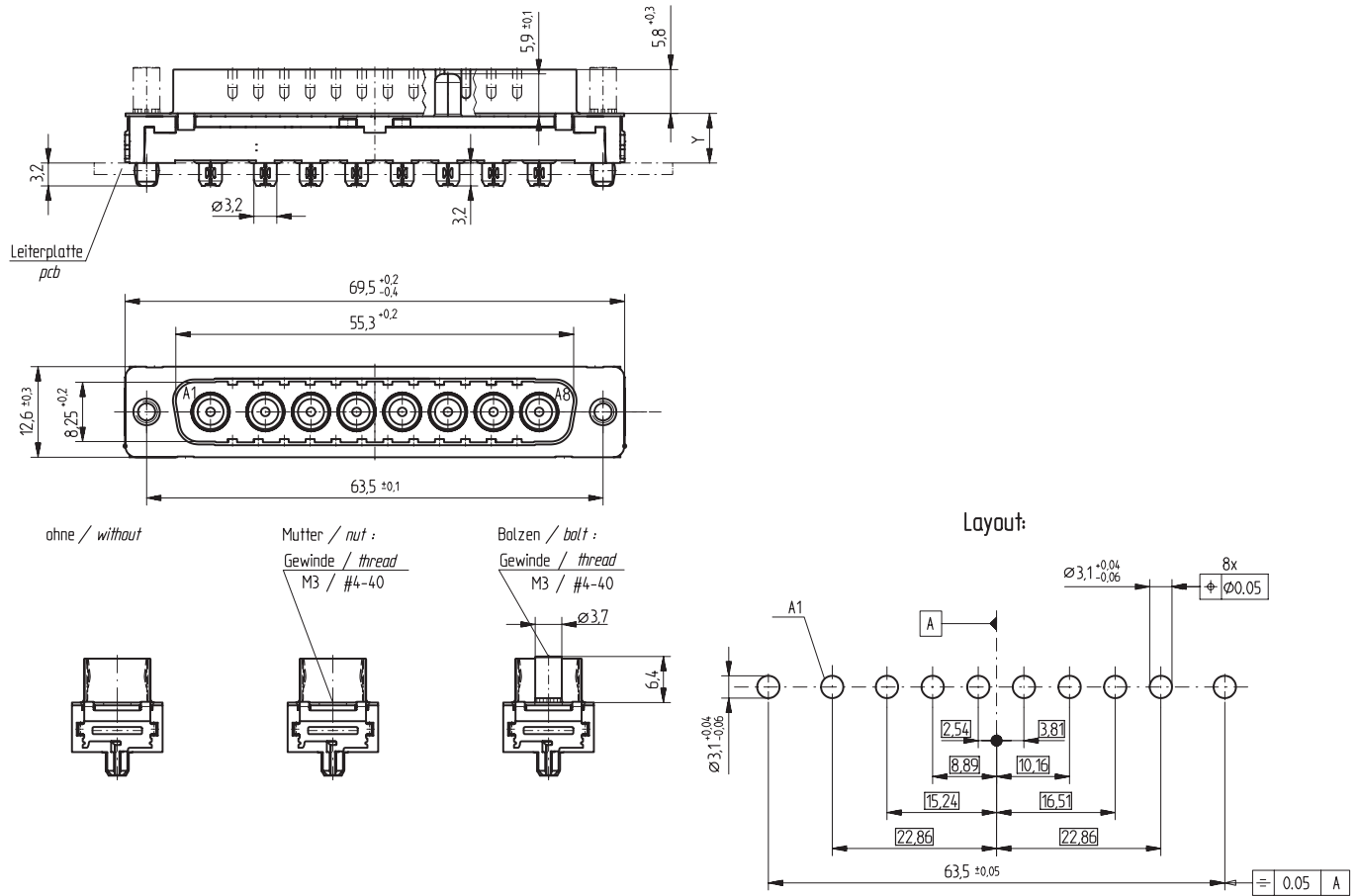
No. of Pins	Termination	Y Assembly Height	L Termination Length	Accessory Mating Side	Accessory Terminal Side	Packaging	Part Number
37	Pressfit	9.0 mm	3.0 mm	Through Hole 3.2 mm	Clip	Tray (24 pcs)	194912
37	Pressfit	9.0 mm	3.0 mm	Thread M3	Clip	Tray (24 pcs)	194913
37	Pressfit	9.0 mm	3.0 mm	Thread 4-40 UNC	Clip	Tray (24 pcs)	194914
37	Pressfit	9.0 mm	3.0 mm	Threaded bolt M3	Clip	Tray (24 pcs)	194915
37	Pressfit	9.0 mm	3.0 mm	Threaded bolt 4-40 UNC	Clip	Tray (24 pcs)	194916
37	Pressfit	6.3 mm	3.0 mm	Through Hole 3.5 mm	Screw	Tray (24 pcs)	204339
37	Pressfit	6.3 mm	3.0 mm	Thread M3	Screw M3	Tray (24 pcs)	204340
37	Pressfit	6.3 mm	3.0 mm	Thread 4-40 UNC	Screw 4-40 UNC	Tray (24 pcs)	204341
37	Pressfit	6.3 mm	3.0 mm	Threaded bolt M3	Screw M3	Tray (24 pcs)	204342
37	Pressfit	6.3 mm	3.0 mm	Threaded bolt 4-40 UNC	Screw 4-40 UNC	Tray (24 pcs)	204343
37	Pressfit	6.3 mm	3.0 mm	Threaded bolt 4-40 UNC	Screw M3	Tray (24 pcs)	214587

D-Sub Connectors

Vertical Male High Current



Dimensional Drawing 8W8



All dimensions in mm

D-Sub Connectors

Vertical Male High Current 5W5/8W8



Ordering Information

No. of Pins	Termination	Current	Y Assembly Height	L Termination Length	Accessory Mating Side	Accessory Terminal Side	Packaging	Part Number
5W5	Pressfit	–	6.9 mm	3.2 mm	Threaded bolt 4-40 UNC	Clip	Tray (30 pcs)	224799
8W8	Pressfit	–	6.9 mm	3.2 mm	Threaded bolt 4-40 UNC	Clip	Tray (24 pcs)	234000

D-Sub Connectors

Vertical Male High Current



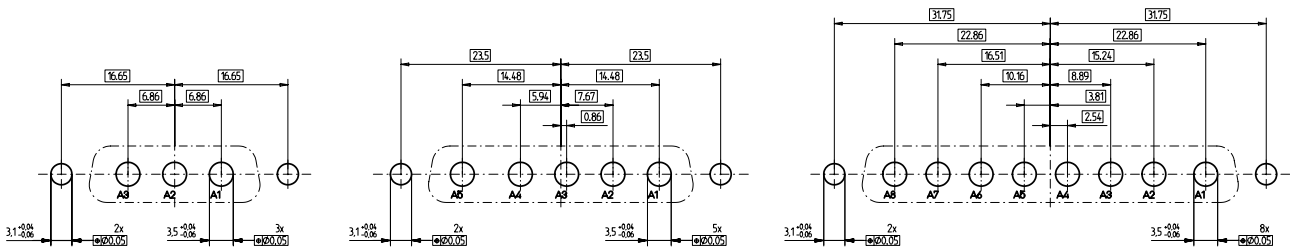
Versions with machined high current contacts

Dimensional Drawing 3W3, 3WK3, 5W5 and 8W8

Leiterplatten-Bohrbild P 3W3, 3WK3
PC Board Hole Pattern P 3W3, 3WK3

Leiterplatten-Bohrbild P 5W5
PC Board Hole Pattern P 5W5

Leiterplatten-Bohrbild P 8W8
PC Board Hole Pattern P 8W8

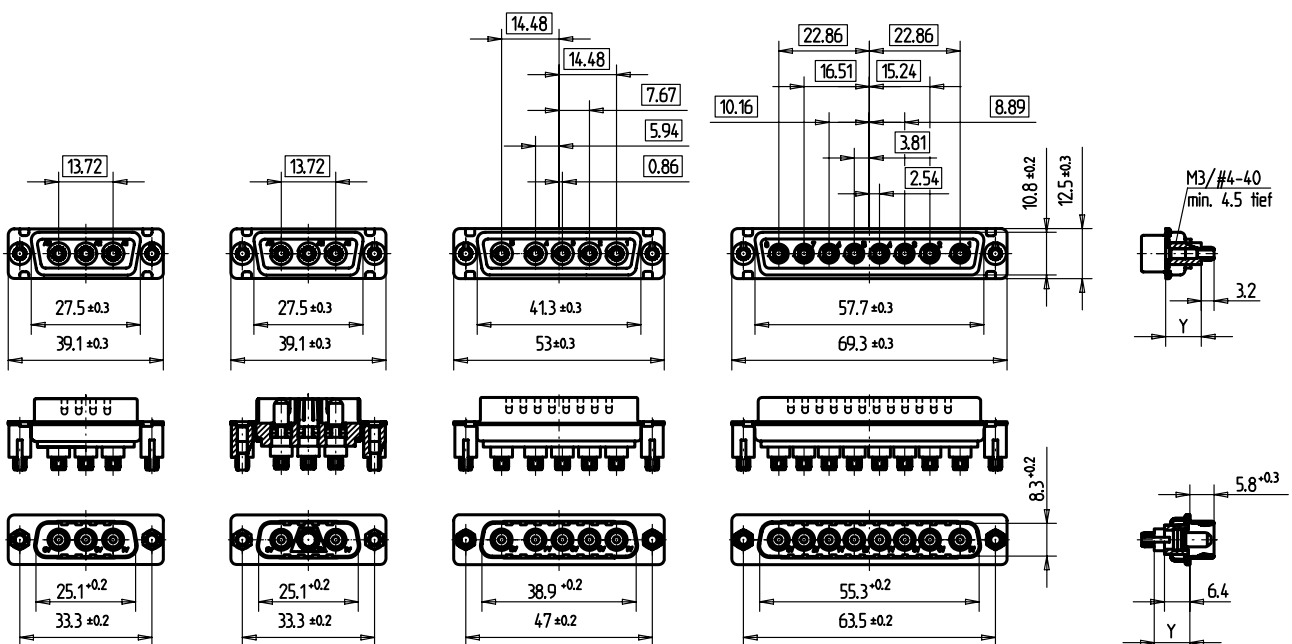


3W3

3WK3

5W5

8W8



All dimensions in mm

D-Sub Connectors

Vertical Male High Current 3W3



Ordering Information

No. of Pins	Termination	Current	Y Assembly Height	L Termination Length	Accessory Mating Side	Accessory Terminal Side	Packaging	Part Number
3W3	Pressfit	30 A	6.3 mm	3.2 mm	–	Pressfit bolt M3	Cardboard (35 pcs)	124764
3W3	Pressfit	30 A	6.3 mm	3.2 mm	–	Pressfit bolt 4-40 UNC	Cardboard (35 pcs)	134435
3W3	Pressfit	30 A	6.3 mm	3.2 mm	Threaded bolt M3	Pressfit bolt	Cardboard (35 pcs)	134498
3W3	Pressfit	30 A	6.3 mm	3.2 mm	Threaded bolt 4-40 UNC	Pressfit bolt	Cardboard (35 pcs)	134499
3W3	Pressfit	30 A	9.0 mm	3.2 mm	–	Pressfit bolt M3	Cardboard (35 pcs)	064500
3W3	Pressfit	30 A	9.0 mm	3.2 mm	–	Pressfit bolt 4-40 UNC	Cardboard (35 pcs)	063625
3W3	Pressfit	30 A	9.0 mm	3.2 mm	Threaded bolt M3	Pressfit bolt	Cardboard (35 pcs)	064460
3W3	Pressfit	30 A	9.0 mm	3.2 mm	Threaded bolt 4-40 UNC	Pressfit bolt	Cardboard (35 pcs)	063784

D-Sub Connectors

Vertical Male High Current 3WK3



Ordering Information

No. of Pins	Termination	Current	Y Assembly Height	L Termination Length	Accessory Mating Side	Accessory Terminal Side	Packaging	Part Number
3WK3	Pressfit	30 A	6.3 mm	3.2 mm	–	Pressfit bolt M3	Cardboard (35 pcs)	134438
3WK3	Pressfit	30 A	6.3 mm	3.2 mm	–	Pressfit bolt 4-40 UNC	Cardboard (35 pcs)	134439
3WK3	Pressfit	30 A	6.3 mm	3.2 mm	Threaded bolt M3	Pressfit bolt	Cardboard (35 pcs)	134500
3WK3	Pressfit	30 A	6.3 mm	3.2 mm	Threaded bolt 4-40 UNC	Pressfit bolt	Cardboard (35 pcs)	134501
3WK3	Pressfit	30 A	9.0 mm	3.2 mm	–	Pressfit bolt M3	Cardboard (35 pcs)	124184
3WK3	Pressfit	30 A	9.0 mm	3.2 mm	–	Pressfit bolt 4-40 UNC	Cardboard (35 pcs)	123161
3WK3	Pressfit	30 A	9.0 mm	3.2 mm	Threaded bolt 4-40 UNC	Pressfit bolt	Cardboard (35 pcs)	134503
3WK3	Pressfit	30 A	9.0 mm	3.2 mm	Threaded bolt M3	Pressfit bolt	Cardboard (35 pcs)	134512

D-Sub Connectors

Vertical Male High Current 5W5



Ordering Information

No. of Pins	Termination	Current	Y Assembly Height	L Termination Length	Accessory Mating Side	Accessory Terminal Side	Packaging	Part Number
5W5	Pressfit	30 A	6.3 mm	3.2 mm	–	Pressfit bolt M3	Cardboard (35 pcs)	134442
5W5	Pressfit	30 A	6.3 mm	3.2 mm	–	Pressfit bolt 4-40 UNC	Cardboard (35 pcs)	134443
5W5	Pressfit	30 A	6.3 mm	3.2 mm	Threaded bolt M3	Pressfit bolt M3	Cardboard (35 pcs)	134504
5W5	Pressfit	30 A	6.3 mm	3.2 mm	Threaded bolt 4-40 UNC	Pressfit bolt	Cardboard (35 pcs)	134505
5W5	Pressfit	30 A	9.0 mm	3.2 mm	–	Pressfit bolt M3	Cardboard (35 pcs)	104285
5W5	Pressfit	30 A	9.0 mm	3.2 mm	–	Pressfit bolt 4-40 UNC	Cardboard (35 pcs)	103925
5W5	Pressfit	30 A	9.0 mm	3.2 mm	Threaded bolt M3	Pressfit bolt M3	Cardboard (35 pcs)	114136
5W5	Pressfit	30 A	9.0 mm	3.2 mm	Threaded bolt 4-40 UNC	Pressfit bolt 4-40 UNC	Cardboard (35 pcs)	063785

D-Sub Connectors

Vertical Male High Current 8W8



Ordering Information

No. of Pins	Termination	Current	Y Assembly Height	L Termination Length	Accessory Mating Side	Accessory Terminal Side	Packaging	Part Number
8W8	Pressfit	30 A	6.3 mm	3.2 mm	–	Pressfit bolt M3	Cardboard (35 pcs)	134446
8W8	Pressfit	30 A	6.3 mm	3.2 mm	–	Pressfit bolt 4-40 UNC	Cardboard (35 pcs)	134447
8W8	Pressfit	30 A	6.3 mm	3.2 mm	Threaded bolt M3	Pressfit bolt	Cardboard (35 pcs)	134506
8W8	Pressfit	30 A	6.3 mm	3.2 mm	Threaded bolt 4-40 UNC	Pressfit bolt	Cardboard (35 pcs)	134507
8W8	Pressfit	30 A	9.0 mm	3.2 mm	–	Pressfit bolt M3	Cardboard (35 pcs)	104284
8W8	Pressfit	30 A	9.0 mm	3.2 mm	–	Pressfit bolt 4-40 UNC	Cardboard (35 pcs)	063626
8W8	Pressfit	30 A	9.0 mm	3.2 mm	Threaded bolt M3	Pressfit bolt	Cardboard (35 pcs)	114137
8W8	Pressfit	30 A	9.0 mm	3.2 mm	Threaded bolt 4-40 UNC	Pressfit bolt	Cardboard (35 pcs)	063783

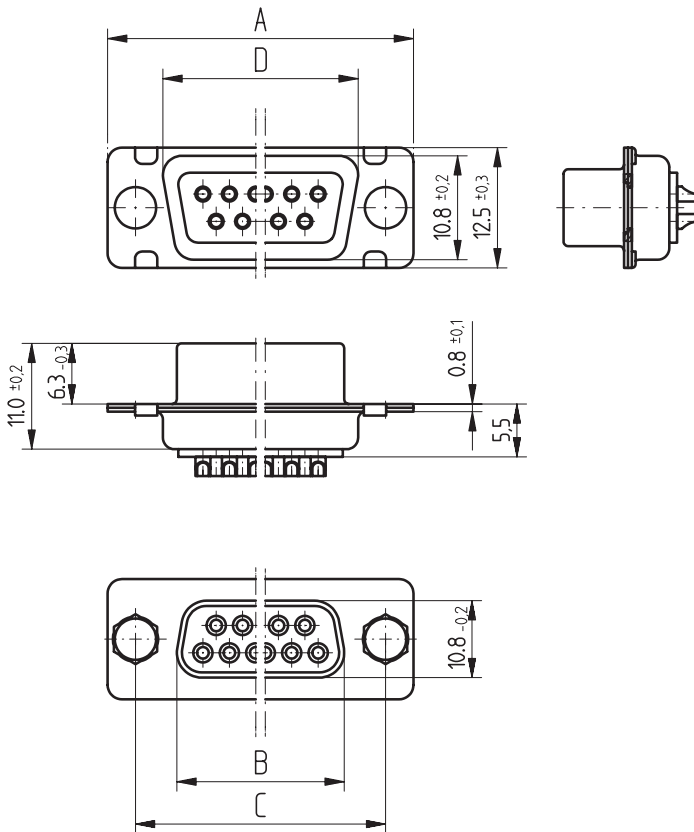
D-Sub Connectors

Female and Male Connectors with Solder Cups



- Suitable for solid and stranded wires AWG 18

Dimensional Drawing Female Connectors



9	30.8	16.4	25.0	19.3
15	39.1	24.7	33.3	27.5
25	53.0	38.5	47.0	41.3
37	69.3	54.9	63.5	57.7
Polzahl/ No. of contacts	A ±0.3	B -0.2	C ±0.2	D ±0.3

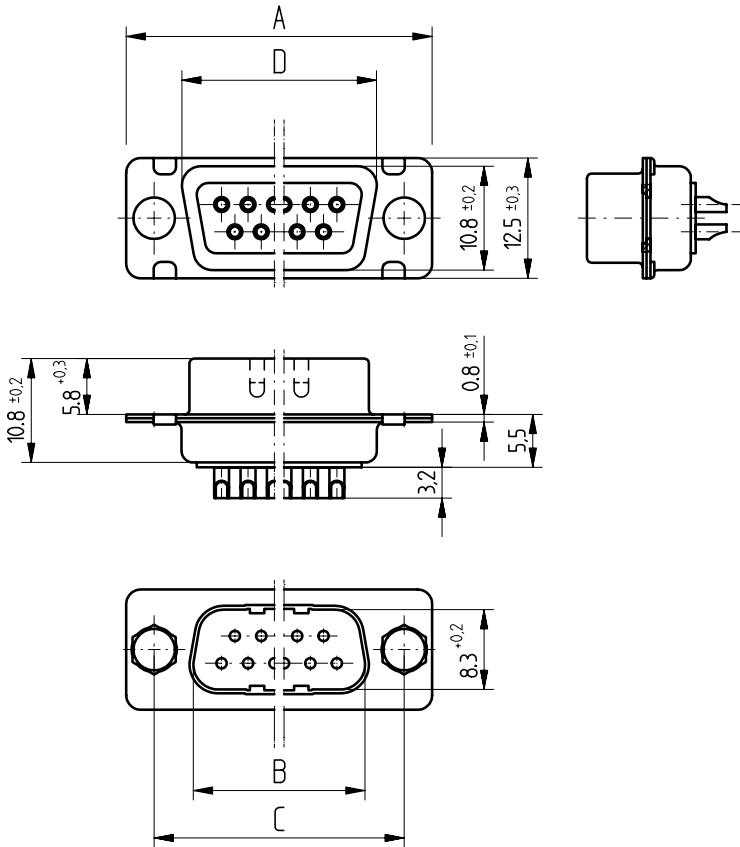
All dimensions in mm

D-Sub Connectors

Female and Male Connectors with Solder Cups



Dimensional Drawing Male Connector



9	30.8	16.8	25.0	19.3
15	39.1	25.1	33.3	27.5
25	53.0	38.9	47.0	41.3
37	69.3	55.3	63.5	57.7
Polzahl/ No. of contacts	A ±0.3	B +0.2	C ±0.2	D ±0.3

All dimensions in mm

D-Sub Connectors

Female and Male Connectors with Solder Cups



Ordering Information

Female Connectors

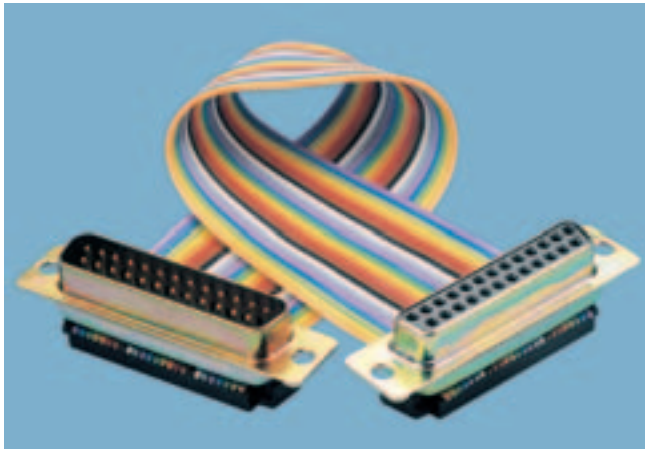
No. of Pins	Termination	Termination Length	Accessory Mating Side	Accessory Terminal Side	Packaging	Part Number
9	Hand solder	2.5 mm	Through hole	–	Cardboard (45 pcs)	004125
15	Hand solder	2.5 mm	Through hole	–	Cardboard (45 pcs)	013522
25	Hand solder	2.5 mm	Through hole	–	Cardboard (45 pcs)	013635
37	Hand solder	2.5 mm	Through hole	–	Cardboard (45 pcs)	004633

Male Connectors

No. of Pins	Termination	Termination Length	Accessory Mating Side	Accessory Terminal Side	Packaging	Part Number
9	Hand solder	3.2 mm	Through hole	–	Cardboard (45 pcs)	023127
15	Hand solder	3.2 mm	Through hole	–	Cardboard (45 pcs)	023128
25	Hand solder	3.2 mm	Through hole	–	Cardboard (45 pcs)	023129
37	Hand solder	3.2 mm	Through hole	–	Cardboard (45 pcs)	023130

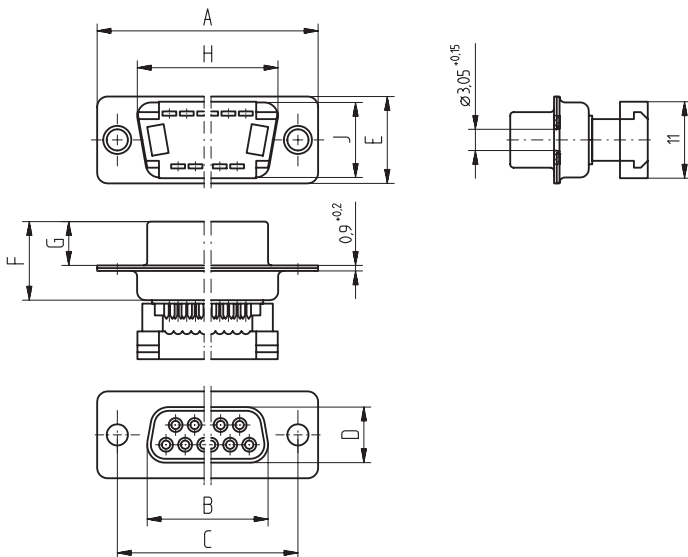
D-Sub Connectors

Female and Male Connectors for Flat Ribbon Cables



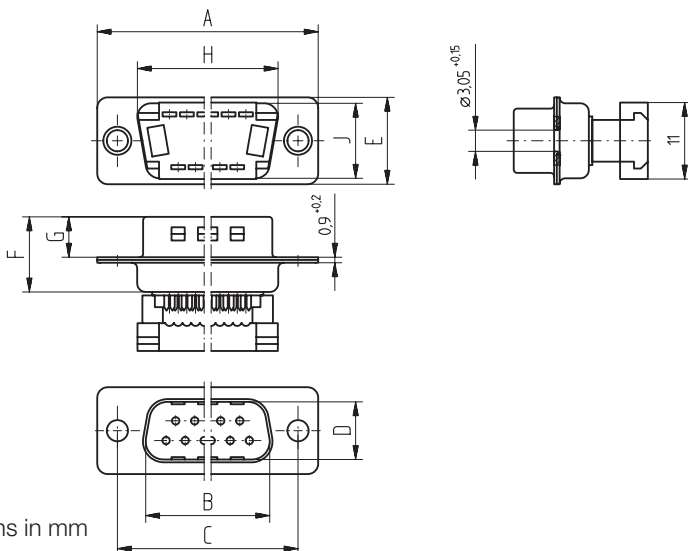
- Suitable for IDC flat ribbon cables with pitch of 1.27 mm (0.05") and AWG 26 solid wire or AWG 28 stranded wire
- Suitable for ERNI KSG 185

Dimensional Drawing Female Connectors



9	30.8	16.33	25.0	7.9	12.55	10.9	6.3	19.3	10.71
15	39.1	24.66	33.3	7.9	12.55	10.9	6.3	27.5	10.71
25	53.0	38.38	47.0	7.9	12.55	10.9	6.3	41.3	10.71
37	69.3	54.84	63.5	7.9	12.55	10.9	6.3	57.7	10.71
Polzahl/ No. of contacts	A ±0.4	B ±0.13	C ±0.2	D ±0.13	E ±0.38	F ±0.25	G max.	H ±0.3	J ±0.25

Dimensional Drawing Male Connectors



9	30.8	16.8	25.0	8.36	12.55	10.72	6.05	19.3	10.71
15	39.1	25.1	33.3	8.36	12.55	10.72	6.05	27.5	10.71
25	53.0	38.9	47.0	8.36	12.55	10.82	5.99	41.3	10.71
37	69.3	55.3	63.5	8.36	12.55	10.82	5.99	57.7	10.71
Polzahl/ No. of contacts	A ±0.4	B ±0.25	C ±0.2	D ±0.13	E ±0.38	F ±0.25	G max.	H ±0.3	J ±0.25

All dimensions in mm

D-Sub Connectors

Female and Male Connectors for Flat Ribbon Cables



Ordering Information

Female Connectors

No. of Pins	Termination	Accessory Mating Side	Accessory Terminal Side	Packaging	Part Number
9	IDC	Through hole	–	Cardboard (84 pcs)	013573
15	IDC	Through hole	–	Cardboard (70 pcs)	013575
25	IDC	Through hole	–	Cardboard (56 pcs)	013577
37	IDC	Through hole	–	Cardboard (42 pcs)	013579

Male Connectors

No. of Pins	Termination	Accessory Mating Side	Accessory Terminal Side	Packaging	Part Number
9	IDC	Through hole	–	Cardboard (84 pcs)	013572
15	IDC	Through hole	–	Cardboard (70 pcs)	013574
25	IDC	Through hole	–	Cardboard (56 pcs)	013576
37	IDC	Through hole	–	Cardboard (42 pcs)	013578

Accessories for Male and Female Connectors

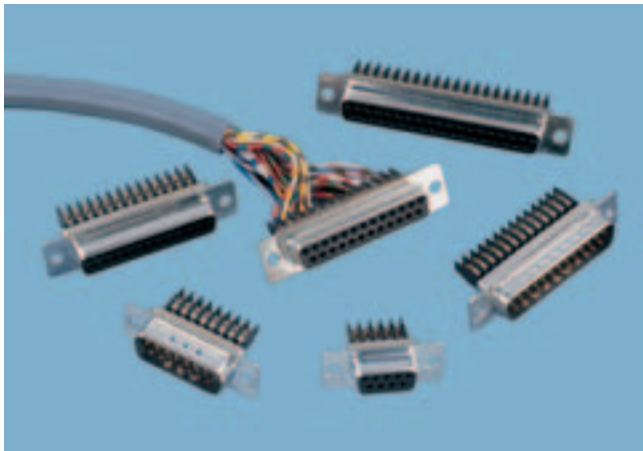
No. of Pins	Configuration	Part Number
9	Strain Relief for D-Sub Male and Female Connectors	004687
15	Strain Relief for D-Sub Male and Female Connectors	004688
25	Strain Relief for D-Sub Male and Female Connectors	004689
37	Strain Relief for D-Sub Male and Female Connectors	004690

Application Tooling

Configuration	Part Number
Hand tool with various accessories (complete set in a case)	424623

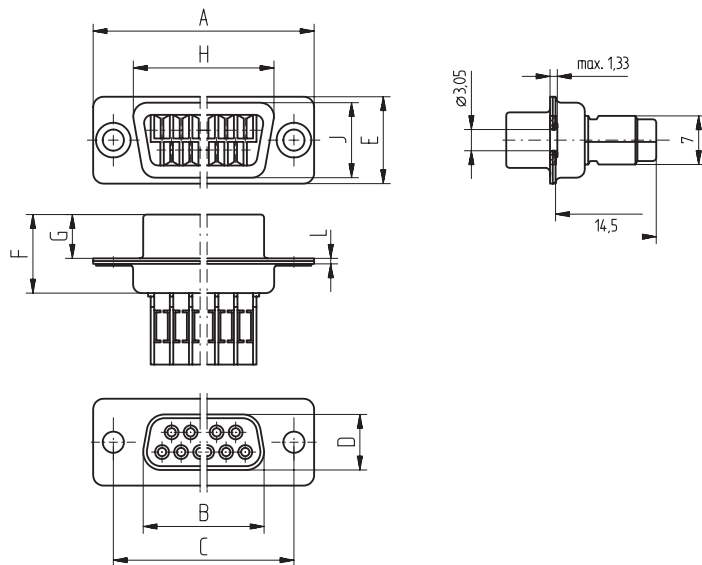
D-Sub Connectors

Female and Male Connectors for Discrete Wire IDC



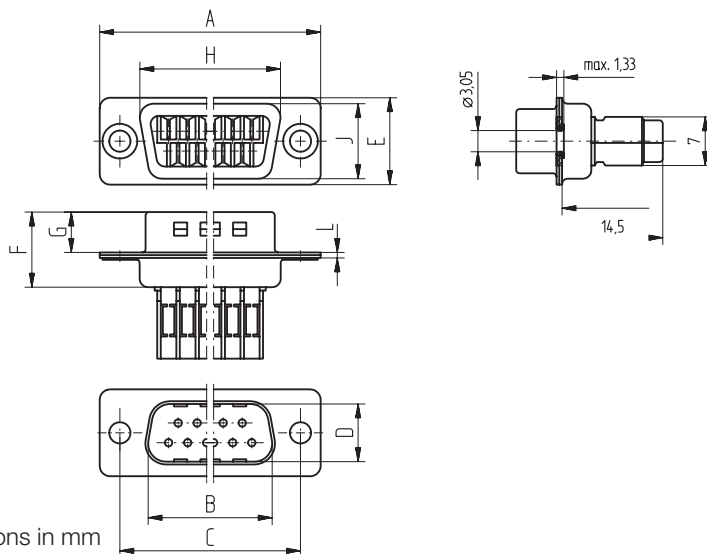
- Suitable for discrete wires in AWG 22-26
- Suitable for use with ERNI KSG 200
- Contacts removable or replaceable

Dimensional Drawing Female Connectors



9	30.8	16.33	25.0	7.9	12.55	10.9	6.3	19.3	10.71	0.76
15	39.1	24.66	33.3	7.9	12.55	10.9	6.3	27.5	10.71	0.76
25	53.0	38.38	47.0	7.9	12.55	10.9	6.3	41.3	10.71	0.76
37	69.3	54.84	63.5	7.9	12.55	10.9	6.3	57.7	10.71	0.76
Polzahl/ No. of contacts	A ±0.4	B ±0.13	C ±0.2	D ±0.13	E ±0.38	F ±0.25	G max.	H ±0.3	J ±0.25	L ±0.25

Dimensional Drawing Male Connectors



9	30.8	16.8	25.0	8.36	12.55	10.72	6.05	19.3	10.71	0.76
15	39.1	25.1	33.3	8.36	12.55	10.72	6.05	27.5	10.71	0.76
25	53.0	38.9	47.0	8.36	12.55	10.82	5.99	41.3	10.71	0.76
37	69.3	55.3	63.5	8.36	12.55	10.82	5.99	57.7	10.71	0.76
Polzahl/ No. of contacts	A ±0.4	B ±0.25	C ±0.2	D ±0.13	E ±0.38	F ±0.25	G max.	H ±0.3	J ±0.25	L ±0.25

All dimensions in mm

D-Sub Connectors

Female and Male Connectors for Discrete Wire IDC



Ordering Information

Female Connectors

No. of Pins	Termination	Accessory Mating Side	Accessory Terminal Side	Packaging	Part Number
9	IDC/AWG 22-26	None	–	Tray (60 pcs)	063526
15	IDC/AWG 22-26	None	–	Tray (50 pcs)	063531
25	IDC/AWG 22-26	None	–	Tray (40 pcs)	063527
37	IDC/AWG 22-26	None	–	Tray (30 pcs)	063535

Male Connectors

No. of Pins	Termination	Accessory Mating Side	Accessory Terminal Side	Packaging	Part Number
9	IDC/AWG 22-26	None	–	Tray (60 pcs)	063530
15	IDC/AWG 22-26	None	–	Tray (50 pcs)	063528
25	IDC/AWG 22-26	None	–	Tray (40 pcs)	063529
37	IDC/AWG 22-26	None	–	Tray (30 pcs)	103813

Application Tooling

No. of Pins	Part Number
Standard Hand Crimp Tool	124774
Automatic Hand Crimp Tool	124775
Tool support (for mounting on table)	124776
Extraction Tool	124777

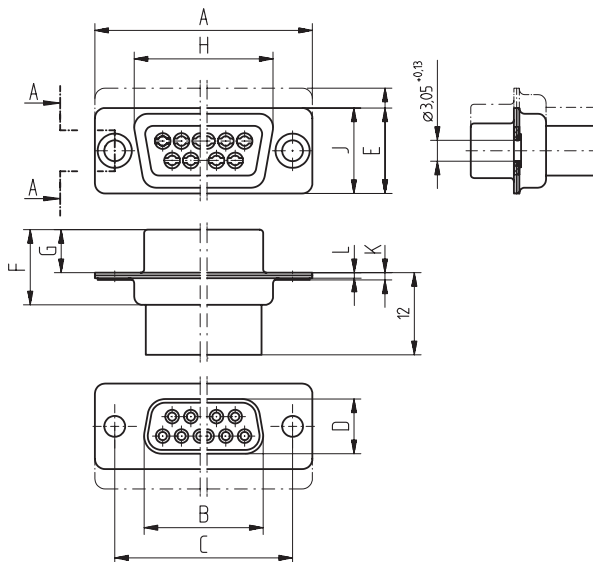
D-Sub Connectors

Female and Male Connectors for Crimp Snap-in Technique



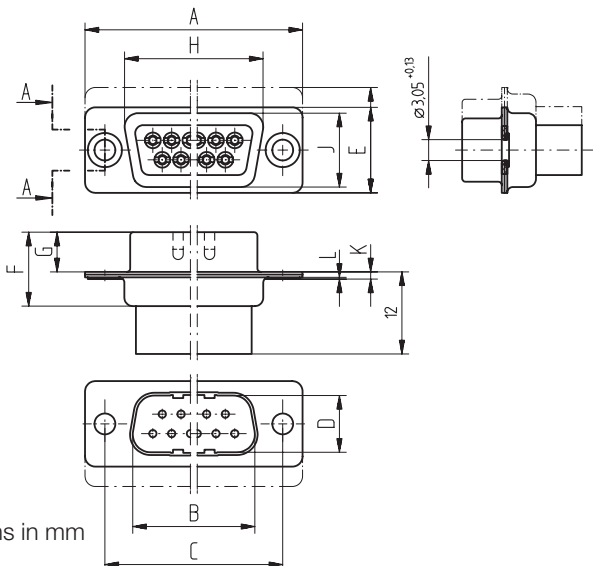
- Suitable for use with ERNI KSG 183, 185 and 200 Cable Housing
- Crimp contacts AWG 20-28

Dimensional Drawing Female Connectors



9	30.8	16.4	25.0	8.0	12.5	11.0	6.3	19.3	10.8	1.5	0.8
15	39.1	24.7	33.3	8.0	12.5	11.0	6.3	27.5	10.8	1.5	0.8
25	53.0	38.5	47.0	8.0	12.5	11.0	6.3	41.3	10.8	1.5	0.8
37	69.3	54.9	63.5	8.0	12.5	11.0	6.3	57.7	10.8	1.5	0.8
50	67.0	52.5	61.1	10.8	15.4	11.0	6.3	55.3	13.6	1.5	0.8
Polzahl/ No. of contacts	A ±0.3	B -0.2	C ±0.2	D -0.2	E ±0.3	F ±0.2	G -0.3	H ±0.3	J ±0.2	K max.	L ±0.1

Dimensional Drawing Male Connectors



9	30.8	16.8	25.0	8.3	12.5	10.8	5.8	19.3	10.8	1.5	0.8
15	39.1	25.1	33.3	8.3	12.5	10.8	5.8	27.5	10.8	1.5	0.8
25	53.0	38.9	47.0	8.3	12.5	10.8	5.8	41.3	10.8	1.5	0.8
37	69.3	55.3	63.5	8.3	12.5	10.8	5.8	57.7	10.8	1.5	0.8
50	67.0	52.7	61.1	11.0	15.4	10.8	5.8	55.3	13.6	1.5	0.9
Polzahl/ No. of contacts	A ±0.3	B -0.2	C ±0.2	D +0.2	E ±0.3	F ±0.2	G +0.3	H ±0.3	J ±0.2	K max.	L ±0.1

All dimensions in mm

D-Sub Connectors

Female and Male Connectors for Crimp Snap-in Technique



Ordering Information

Female Connector Housings

No. of Pins	Termination	Accessory Mating Side	Accessory Terminal Side	Part Number
9	Crimp Snap-In	Through hole	–	014176
15	Crimp Snap-In	Through hole	–	014178
25	Crimp Snap-In	Through hole	–	014180
37	Crimp Snap-In	Through hole	–	014182

Male Connector Housings

No. of Pins	Termination	Accessory Mating Side	Accessory Terminal Side	Part Number
9	Crimp Snap-In	Through hole	–	014177
15	Crimp Snap-In	Through hole	–	014179
25	Crimp Snap-In	Through hole	–	014181
37	Crimp Snap-In	Through hole	–	014183



Ordering Information

Crimp Contacts for Female Connectors

Cable Diameter	Configuration	Packaging	Part Number
AWG 26-20	Crimp Contact	Bag (100 pcs)	014234
AWG 28-24	Crimp Contact	Bag (100 pcs)	014233
AWG 26-20	Crimp Contact	Reel (500 pcs)	014237
AWG 28-24	Crimp Contact	Reel (500 pcs)	014236
AWG 26-20	Crimp Contact	Reel (10.000 pcs)	014240
AWG 28-24	Crimp Contact	Reel (10.000 pcs)	014239

Crimp Contacts for Male Connectors

Cable Diameter	Configuration	Packaging	Part Number
AWG 26-20	Crimp Contact	Bag (100 pcs)	014243
AWG 28-24	Crimp Contact	Bag (100 pcs)	014242
AWG 26-20	Crimp Contact	Reel (500 pcs)	014246
AWG 28-24	Crimp Contact	Reel (500 pcs)	014245
AWG 26-20	Crimp Contact	Reel (10.000 pcs)	014249
AWG 28-24	Crimp Contact	Reel (10.000 pcs)	014248

Application Tooling

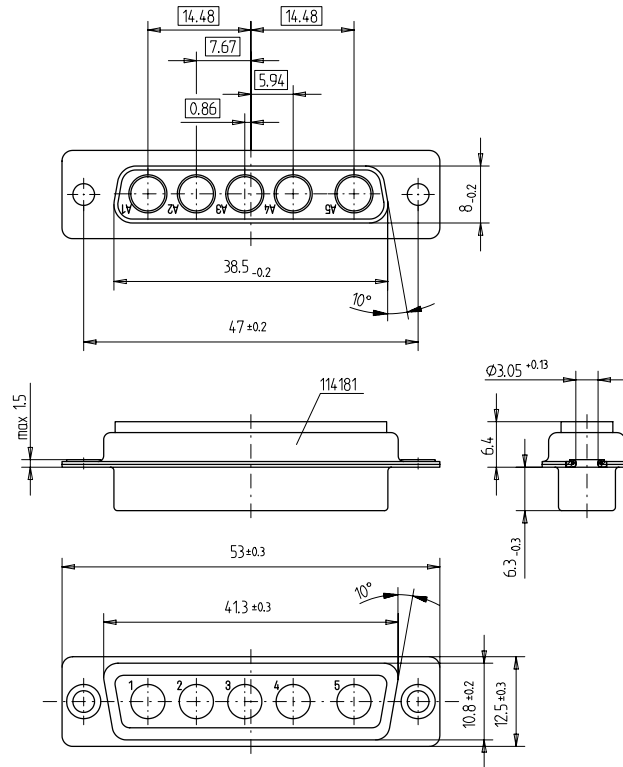
Configuration	Part Number
Hand Crimp Tool for Loose Contacts AWG 20-28	014374
Hand Crimp Tool for Reels with 500 Contacts (incl. reel holder and adjustable feed) AWG 20-28	014375
Mounting and Dismounting Tool for AWG 20-28	014373

D-Sub Connectors

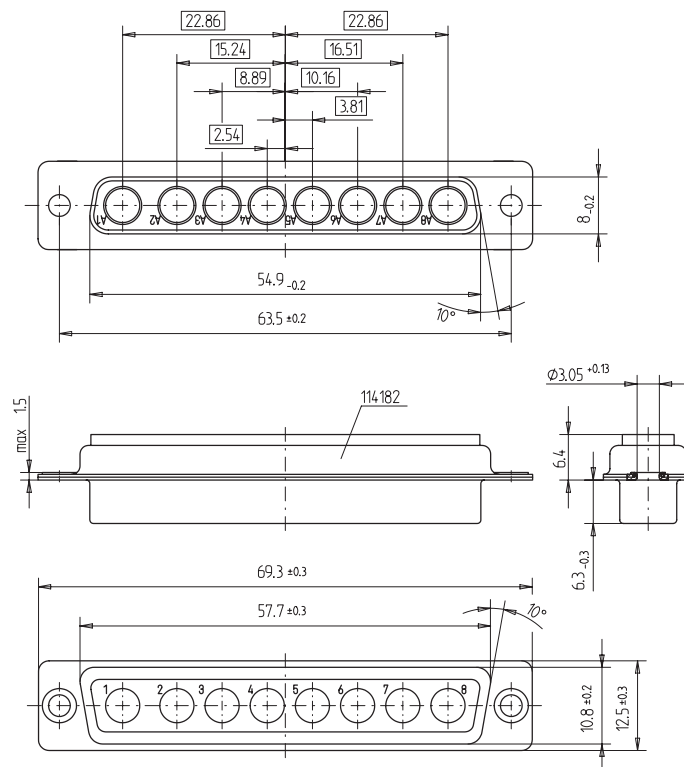
Housings for Female High Current Contacts



Dimensional Drawing 5W5



Dimensional Drawing 8W8



Alle dimensions in mm

D-Sub Connectors

Housings for Female Power Contacts



Ordering Information

No. of Pins	Accessory Mating Side	Accessory Terminal Side	Part Number
3W3	Through hole	–	053437
3WK3	Through hole	–	114612
5W5	Through hole	–	063507
8W8	Through hole	–	103450

Female High Current Contacts for Handsolder

No. of Pins	Termination	Cable Type	Current	Part Number
–	Hand solder	AWG 16-20	10 A	594172
–	Hand solder	AWG 12-16	20 A	594174
–	Hand solder	AWG 8-12	40 A	594176

Female High Current Crimp Contacts

No. of Pins	Termination	Cable Type	Current	Part Number
–	Crimp	AWG 16-20	10 A	594178
–	Crimp	AWG 12-16	20 A	594180
–	Crimp	AWG 8-12	40 A	594182

Application Tooling

Configuration	Part Number
Hand crimp tool	594184
Extraction tool	043736
Jacket if needed for replacement (for extraction tool)	043737

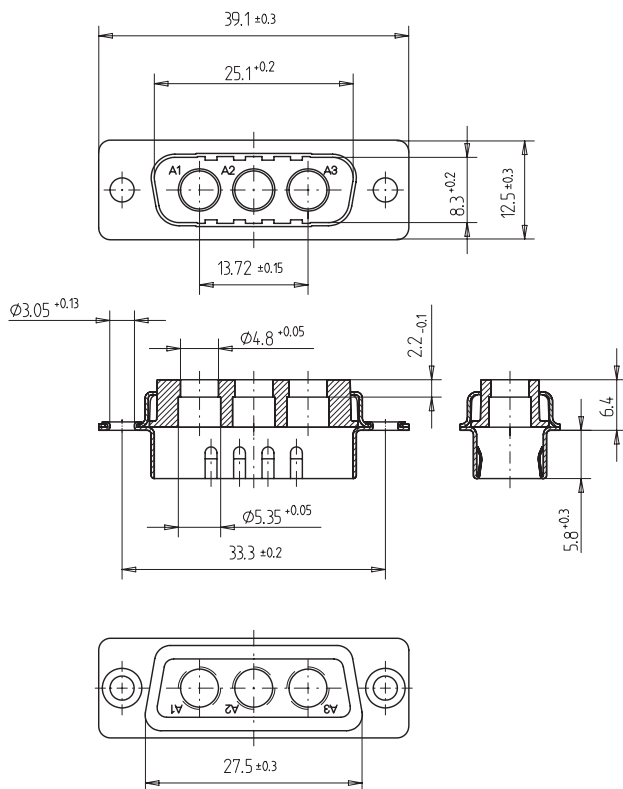
D-Sub Connectors

Housings for Male High Current Contacts

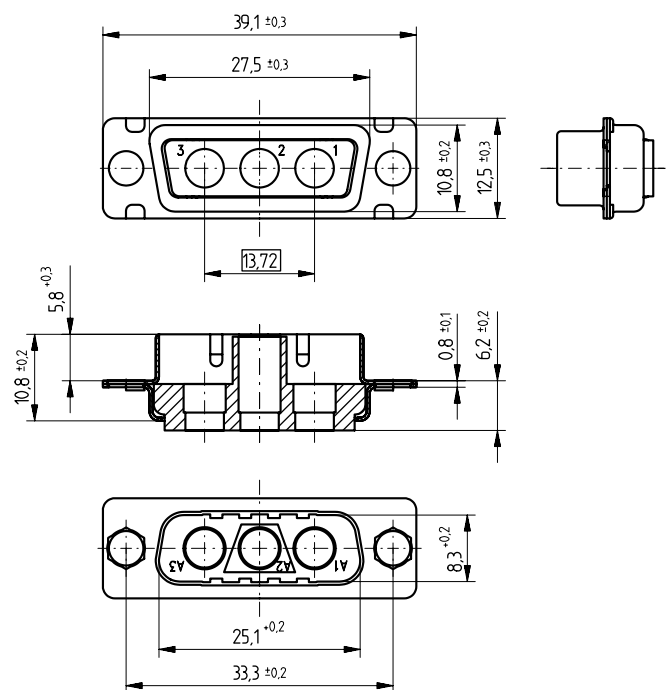


- Suitable for ERNI KSG 183, 185 and 200 Cable Housing

Dimensional Drawing 3W3

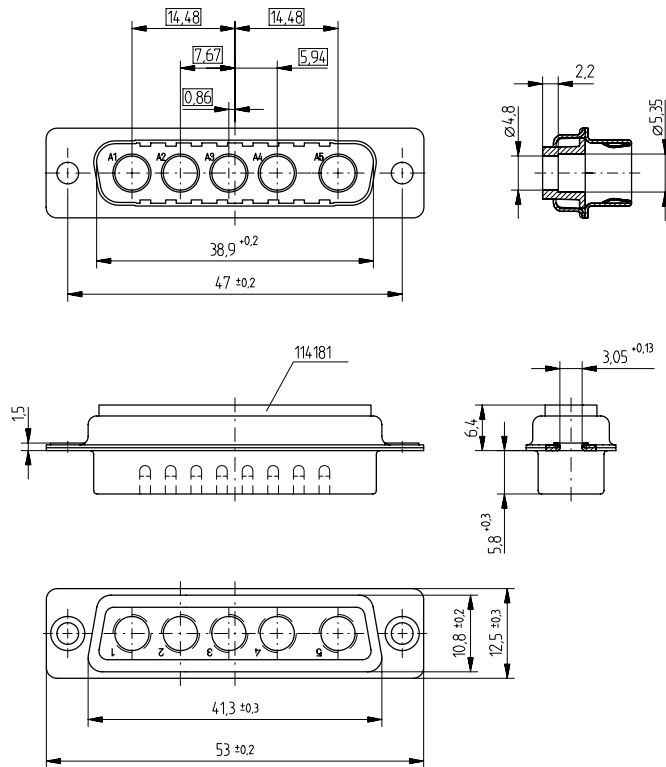


Dimensional Drawing 3WK3

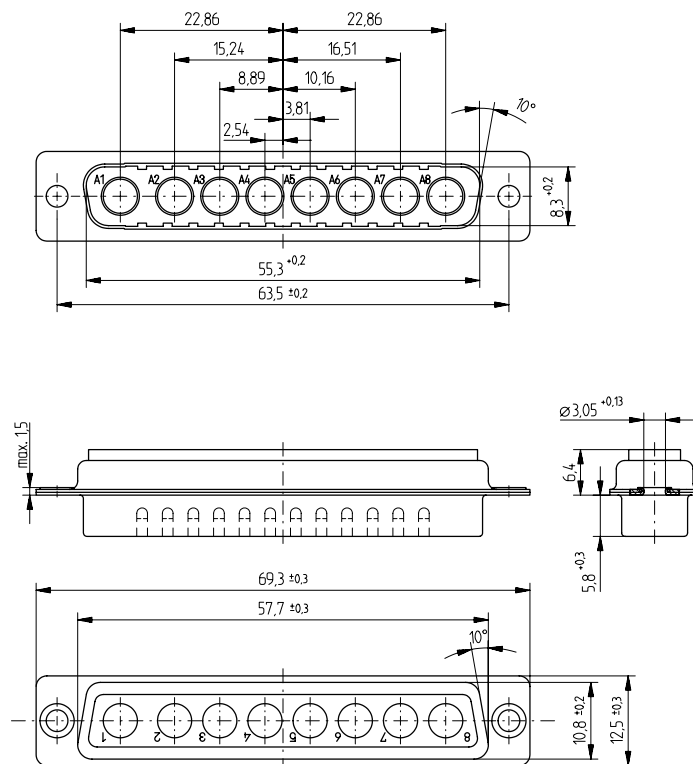


All dimensions in mm

Dimensional Drawing 5W5



Dimensional Drawing 8W8



All dimensions in mm

D-Sub Connectors

Housings for Male High Current Contacts



Ordering Information

No. of Pins	Accessory Mating Side	Accessory Terminal Side	Part Number
3W3	Through hole	–	054134
3WK3	Through hole	–	114611
5W5	Through hole	–	103748
8W8	Through hole	–	103448

Male High Current Contacts for Handsolder

No. of Pins	Termination	Cable Type	Current	Part Number
–	Hand solder	AWG 16-20	10 A	594221
–	Hand solder	AWG 12-16	20 A	594223
–	Hand solder	AWG 8-12	40 A	594225

Male High Current Crimp Contacts

No. of Pins	Termination	Cable Type	Current	Part Number
–	Crimp	AWG 16-20	10 A	594227
–	Crimp	AWG 12-16	20 A	594229
–	Crimp	AWG 8-12	40 A	594231

Application Tooling

Configuration	Part Number
Hand crimp tool	594184
Extraction tool	043736
Jacket if needed for replacement (for extraction tool)	043737



Part Number	Page	Part Number	Page
004125	153	063507	163
004633	153	063526	157
004687	155	063527	157
004688	155	063528	157
004689	155	063529	157
004690	155	063530	157
013522	153	063531	157
013572	155	063535	157
013573	155	063622	112
013574	155	063623	110
013575	155	063624	113
013576	155	063625	147
013577	155	063626	150
013578	155	063783	150
013579	155	063784	147
013635	153	063785	149
014176	159	063786	113
014177	159	063787	110
014178	159	064460	147
014179	159	064500	147
014180	159	103448	166
014181	159	103450	163
014182	159	103748	166
014183	159	103760	110
014233	160	103813	157
014234	160	103925	149
014236	160	104284	150
014237	160	104285	149
014239	160	104286	113
014240	160	104287	112
014242	160	104288	110
014243	160	114136	149
014245	160	114137	150
014246	160	114138	112
014248	160	114139	112
014249	160	114140	113
014373	160	114611	166
014374	160	114612	163
014375	160	123161	148
023127	153	123162	111
023128	153	124184	148
023129	153	124185	111
023130	153	124764	147
043736	166	124774	157
043736	163	124775	157
043737	166	124776	157
043737	163	124777	157
053437	163	134435	147
054134	166	134438	148

D-Sub Connectors

Part Number Index



Part Number	Page	Part Number	Page
134439	148	154093	52
134442	149	154094	52
134443	149	154097	56
134446	150	154098	56
134447	150	154101	60
134450	110	154102	60
134451	110	154105	64
134454	111	154106	64
134455	111	154107	53
134458	112	154108	53
134459	112	154109	53
134462	113	154110	53
134463	113	154111	57
134464	79	154112	57
134465	79	154113	57
134466	79	154114	57
134467	79	154115	61
134468	46	154116	61
134469	46	154117	61
134470	46	154118	61
134471	46	154119	65
134489	79	154120	65
134490	79	154121	65
134491	79	154122	65
134492	79	154123	55
134493	46	154124	55
134494	46	154125	55
134495	46	154126	55
134496	46	154127	59
134498	147	154128	59
134499	147	154129	59
134500	148	154130	59
134501	148	154131	63
134503	148	154132	63
134504	149	154133	63
134505	149	154134	63
134506	150	154135	67
134507	150	154136	67
134508	110	154137	67
134509	110	154138	67
134510	111	154141	21
134511	111	154142	21
134512	148	154145	25
134512	111	154146	25
134513	111	154149	29
134514	112	154150	29
134515	112	154153	33
134516	113	154154	33
134517	113	154155	22

D-Sub Connectors

Part Number Index



Part Number	Page	Part Number	Page
154156	22	154205	54
154157	22	154206	54
154158	22	154207	58
154159	26	154208	58
154160	26	154209	58
154161	26	154210	58
154162	26	154211	62
154163	30	154212	62
154164	30	154213	62
154165	30	154214	62
154166	30	154215	66
154167	34	154216	66
154168	34	154217	66
154169	34	154218	66
154170	34	154219	55
154171	24	154220	55
154172	24	154221	55
154173	24	154222	55
154174	24	154223	59
154175	28	154224	59
154176	28	154225	59
154177	28	154226	59
154178	28	154227	63
154179	32	154228	63
154180	32	154229	63
154181	32	154230	63
154182	32	154231	67
154183	36	154232	67
154184	36	154233	67
154185	36	154234	67
154186	36	154235	21
154187	52	154236	21
154188	52	154237	21
154189	52	154238	21
154190	52	154239	25
154191	56	154240	25
154192	56	154241	25
154193	56	154242	25
154194	56	154243	29
154195	60	154244	29
154196	60	154245	29
154197	60	154246	29
154198	60	154247	33
154199	64	154248	33
154200	64	154249	33
154201	64	154250	33
154202	64	154251	23
154203	54	154252	23
154204	54	154253	23

D-Sub Connectors

Part Number Index



Part Number	Page	Part Number	Page
154254	23	164022	91
154255	27	164023	97
154256	27	164024	103
154257	27	164025	83
154258	27	164026	91
154259	31	164027	97
154260	31	164028	103
154261	31	164030	91
154262	31	164031	97
154263	35	164032	103
154264	35	174385	117
154265	35	174386	125
154266	35	174387	131
154267	24	174388	137
154268	24	174389	83
154269	24	174390	91
154270	24	174391	97
154271	28	174392	103
154272	28	174405	56
154273	28	174406	60
154274	28	174407	64
154275	32	174408	53
154276	32	174409	57
154277	32	174410	61
154278	32	174411	65
154279	36	174412	55
154280	36	174413	59
154281	36	174414	63
154282	36	174415	67
164001	117	174416	52
164002	125	174417	56
164003	131	174418	60
164004	137	174419	64
164005	117	174420	54
164006	125	174421	58
164007	131	174422	62
164008	137	174423	66
164009	117	174424	55
164010	125	174425	59
164011	131	174426	63
164012	137	174427	67
164014	125	174428	21
164015	131	174429	25
164016	137	174430	29
164017	83	174431	33
164018	91	174432	22
164019	97	174433	26
164020	103	174434	30
164021	83	174435	34

D-Sub Connectors

Part Number Index



Part Number	Page	Part Number	Page
174436	24	194113	141
174437	28	194114	141
174438	32	194115	141
174439	36	194116	141
174440	21	194117	141
174441	25	194250	117
174442	29	194251	117
174443	33	194252	117
174444	23	194253	117
174445	27	194254	117
174446	31	194255	125
174447	35	194256	125
174448	24	194257	125
174449	28	194258	125
174450	32	194259	125
174451	36	194260	131
174501	52	194261	131
174533	122	194262	131
174534	122	194263	131
174535	122	194264	131
174536	122	194265	137
174542	122	194266	137
174986	85	194267	137
174987	127	194268	137
174988	21	194269	137
174990	56	194270	83
194036	123	194271	83
194037	90	194272	83
194054	123	194273	83
194055	123	194274	83
194056	123	194275	91
194057	123	194276	91
194058	90	194277	91
194059	90	194278	91
194060	90	194279	91
194061	90	194280	97
194070	127	194281	97
194071	127	194282	97
194072	127	194283	97
194073	127	194284	97
194074	85	194285	103
194075	85	194286	103
194076	85	194287	103
194077	85	194288	103
194078	133	194289	103
194079	133	194290	118
194080	133	194291	118
194081	133	194292	118
194082	133	194293	118



Part Number	Page	Part Number	Page
194294	118	194343	92
194295	118	194344	92
194296	118	194345	92
194297	118	194346	92
194298	118	194347	92
194299	118	194348	92
194300	126	194349	92
194301	126	194350	98
194302	126	194351	98
194303	126	194352	98
194304	126	194353	98
194305	126	194354	98
194306	126	194355	98
194307	126	194356	98
194308	126	194357	98
194309	126	194358	98
194310	132	194359	98
194311	132	194360	104
194312	132	194361	104
194313	132	194362	104
194314	132	194363	104
194315	132	194364	104
194316	132	194365	104
194317	132	194366	104
194318	132	194367	104
194319	132	194368	104
194320	138	194369	104
194321	138	194370	129
194322	138	194371	129
194323	138	194372	129
194324	138	194373	129
194325	138	194374	129
194326	138	194375	135
194327	138	194376	135
194328	138	194377	135
194329	138	194378	135
194330	84	194379	135
194331	84	194380	95
194332	84	194381	95
194333	84	194382	95
194334	84	194383	95
194335	84	194384	95
194336	84	194385	101
194337	84	194386	101
194338	84	194387	101
194339	84	194388	101
194340	92	194389	101
194341	92	194390	106
194342	92	194391	106

D-Sub Connectors

Part Number Index



Part Number	Page	Part Number	Page
194392	106	194908	136
194393	106	194909	136
194394	106	194910	136
194681	135	194911	136
194682	135	194912	142
194683	135	194913	142
194684	135	194914	142
194685	135	194915	142
194720	141	194916	142
194721	141	194917	90
194722	141	194918	90
194723	141	194919	90
194724	141	194920	90
194725	123	194921	90
194726	123	194922	96
194727	123	194923	96
194728	123	194924	96
194729	123	194925	96
194730	129	194926	96
194731	129	194927	102
194732	129	194928	102
194733	129	194929	102
194734	129	194930	102
194881	95	194931	102
194882	95	194932	107
194883	95	194933	107
194884	95	194934	107
194885	95	194935	107
194886	101	194936	107
194887	101	204104	121
194888	101	204106	121
194889	101	204107	88
194890	101	204109	88
194891	106	204263	117
194892	106	204264	83
194893	106	204284	124
194894	106	204285	124
194895	106	204286	124
194897	124	204287	124
194898	124	204288	124
194899	124	204289	90
194900	124	204290	90
194901	124	204291	90
194902	130	204292	90
194903	130	204293	90
194904	130	204319	130
194905	130	204320	130
194906	130	204321	130
194907	136	204322	130

D-Sub Connectors

Part Number Index



Part Number	Page	Part Number	Page
204323	130	204466	54
204324	96	204467	54
204325	96	204469	58
204326	96	204470	58
204327	96	204471	58
204328	96	204472	58
204329	136	204473	58
204330	136	204475	62
204331	136	204476	62
204332	136	204477	62
204333	136	204478	62
204334	102	204479	62
204335	102	204481	66
204336	102	204482	66
204337	102	204483	66
204338	102	204484	66
204339	142	204485	66
204340	142	204487	22
204341	142	204488	22
204342	142	204489	22
204343	142	204490	22
204344	107	204491	22
204345	107	204493	26
204346	107	204494	26
204347	107	204495	26
204348	107	204496	26
204439	53	204497	26
204440	53	204499	30
204441	53	204500	30
204442	53	204501	30
204443	53	204502	30
204445	57	204503	30
204446	57	204505	34
204447	57	204506	34
204448	57	204507	34
204449	57	204508	34
204451	61	204509	34
204452	61	204511	23
204453	61	204512	23
204454	61	204513	23
204455	61	204514	23
204457	65	204515	23
204458	65	204517	27
204459	65	204518	27
204460	65	204519	27
204461	65	204520	27
204463	54	204521	27
204464	54	204523	31
204465	54	204524	31



Part Number	Page	Part Number	Page
204525	31	204888	86
204526	31	204889	86
204527	31	204890	86
204529	35	204891	87
204530	35	204892	87
204531	35	204893	86
204532	35	204894	86
204533	35	204895	86
204742	22	204896	86
204769	52	204897	87
204770	56	204898	120
204771	60	204899	120
204772	64	204900	120
204773	21	204901	121
204774	25	204902	121
204775	29	204903	120
204776	33	204904	120
204782	42	204905	120
204795	40	204906	121
204846	89	204907	121
204847	89	204908	120
204848	89	204909	120
204849	89	204910	120
204850	89	204911	120
204851	94	204912	121
204852	94	204913	87
204853	94	204914	87
204854	94	204915	87
204855	94	204916	88
204868	119	204917	88
204869	119	204918	87
204870	119	204919	87
204871	120	204920	87
204872	120	204921	88
204873	119	204922	88
204874	119	204923	87
204875	119	204924	87
204876	120	204925	87
204877	120	204926	87
204878	119	204927	88
204879	119	214105	121
204880	119	214108	88
204881	119	214160	121
204882	120	214161	121
204883	86	214162	121
204884	86	214163	121
204885	86	214164	121
204886	87	214184	41
204887	87	214185	41

D-Sub Connectors

Part Number Index



Part Number	Page	Part Number	Page
214186	41	214730	140
214187	41	214731	140
214188	41	214732	140
214303	42	214733	140
214304	42	214734	140
214305	42	214735	89
214306	42	214736	89
214339	52	214737	89
214560	21	214738	89
214563	119	214739	89
214564	119	214740	89
214565	119	214741	94
214566	119	214742	94
214567	119	214743	94
214584	124	214744	94
214585	130	214745	94
214586	136	214746	94
214587	142	214747	100
214588	90	214748	100
214589	96	214749	100
214590	102	214750	100
214591	107	214751	100
214639	52	214752	100
214640	56	214753	108
214641	60	214754	108
214642	64	214755	108
214643	21	214756	108
214644	25	214757	108
214645	29	214758	108
214646	33	214769	29
214647	21	214773	23
214711	122	214776	52
214712	122	214818	93
214713	122	223066	52
214714	122	223163	26
214715	122	223165	53
214716	122	224221	88
214717	128	224263	40
214718	128	224264	40
214719	128	224265	40
214721	128	224266	40
214722	128	224298	88
214723	134	224299	88
214724	134	224300	88
214725	134	224330	72
214726	134	224331	72
214727	134	224332	72
214728	134	224333	72
214729	140	224334	72

D-Sub Connectors

Part Number Index



Part Number	Page	Part Number	Page
224341	74	234863	127
224342	74	234864	127
224343	74	234865	127
224344	74	234866	127
224345	74	234867	127
224357	73	234868	127
224358	73	234869	127
224359	73	234875	133
224360	73	234876	133
224361	73	234877	133
224603	133	234878	133
224783	127	234880	133
224784	139	234881	133
224785	93	234882	133
224786	99	234888	139
224787	105	234889	139
224799	145	234890	139
224818	21	234891	139
224844	54	234892	139
224845	23	234893	139
234000	145	234894	139
234171	127	234895	139
234172	133	234901	93
234173	139	234902	93
234174	93	234903	93
234175	99	234904	93
234176	105	234905	93
234182	129	234906	93
234183	129	234907	93
234184	129	234908	93
234185	129	234914	99
234186	129	234915	99
234433	85	234916	99
234434	85	234917	99
234435	85	234918	99
234436	86	234919	99
234437	86	234920	99
234438	85	234921	99
234439	85	234927	105
234440	85	234928	105
234441	86	234929	105
234442	86	234930	105
234443	85	234931	105
234444	85	234932	105
234445	85	234933	105
234446	85	234934	105
234447	86	234939	21
234567	133	234940	52
234862	127	234941	29

D-Sub Connectors

Part Number Index



Part Number	Page	Part Number	Page
234942	60	284508	63
244188	76	284509	67
244189	76	284510	67
244190	76	284511	67
244191	76	284512	24
244192	76	284513	24
244244	75	284514	24
244245	75	284515	28
244246	75	284516	28
244247	75	284517	28
244248	75	284518	32
244249	75	284519	32
244250	75	284520	32
244251	75	284521	36
244252	75	284522	36
244253	75	284523	36
244254	43	284524	24
244255	43	284525	24
244256	43	284526	24
244257	43	284527	28
244258	43	284528	28
244259	43	284529	28
244260	43	284530	32
244261	43	284531	32
244262	43	284532	32
244263	43	284533	36
254050	93	284534	36
254307	62	284535	36
254722	93	284844	122
284488	55	294880	89
284489	55	294881	94
284490	55	424623	155
284491	59	594172	163
284492	59	594174	163
284493	59	594176	163
284494	63	594178	163
284495	63	594180	163
284496	63	594182	163
284497	67	594184	166
284498	67	594184	163
284499	67	594221	166
284500	55	594223	166
284501	55	594225	166
284502	55	594227	166
284503	59	594229	166
284504	59	594231	166
284505	59		
284506	63		
284507	63		





ERNI Electronics GmbH

Seestrasse 9
73099 Adelberg/Germany
Tel +49 71 66 50-0
Fax +49 71 66 50-282
info@erni.de

Europe South America Africa Japan

ERNI Electronics, Inc.

2201 Westwood Ave
Richmond, VA 23230/USA
Tel +1 804 228-4100
Fax +1 804 228-4099
info.usa@erni.com

North America Canada Mexico

ERNI Asia Holding Pte Ltd.

Blk 4008 Ang Mo Kio Avenue 10
#04-01/02 Techplace I
Singapore 569625
Tel +65 6 555 5885
Fax +65 6 555 5995
info@erni-asia.com

Asia

www.erni.com

© ERNI Electronics GmbH 2009 • Printed in Germany. A policy of continuous improvement is followed and the right to alter any published data without notice is reserved.
ERNI®, MicroStac®, MicroSpeed®, MiniBridge®, MaxiBridge®, ERmet®, ERmet ZD®, ERbic® and ERNIPRESS® are trademarks (registered or applied for in various countries) of ERNI Electronics GmbH.

X-ON Electronics

Largest Supplier of Electrical and Electronic Components

Click to view similar products for [D-Sub Standard Connectors](#) category:

Click to view products by [ERNI](#) manufacturer:

Other Similar products are found below :

[56F711-015](#) [012-9507-004](#) [LV242999-142T12](#) [015-0341-000](#) [015-0349-000](#) [015-0372-005](#) [015-0372-008](#) [015-8755-001](#) [020419-0104](#) [012-0467-000](#) [012-0515-000](#) [012-9507-034](#) [012-9507-114](#) [020745-0008](#) [609-25P](#) [M24308/2-23Z](#) [CT2-14S-2PCA34](#) [CT2-18-11PCAU](#) [CT2-36-15SC](#) [CT6-14S-2SC](#) [CT6E14SA7SC](#) [CT6E22-14PC](#) [CT6E22-14PS](#) [CT6E22-22PS](#) [M83513/01-FC](#) [M85049/48-3-2F](#) [6STD09PCM99B70X](#) [6STD09SCM99B30X](#) [6STD09SCT99S40X](#) [6STD15PCT99S40X](#) [6STD15SCM99B30X](#) [6STD15SCT99S40X](#) [6STF09PCM05B70X](#) [7-135760-9](#) [MC11E-10-6SN](#) [747552-3](#) [MD1-21PS](#) [MDM-15SCBRM7-F222](#) [MDM96517-699](#) [MDM96521-744](#) [MDVB1-21SL1](#) [MIK0-1-7SH003](#) [MIKQ6-7SH076](#) [MIKQ7-7PH077](#) [MIKQ7-7PH11](#) [MIKQ7-7PH32](#) [MIKQ9-7PH003](#) [MJSV-28SL61](#) [MKJ4A1F14-55S](#) [8-135760-3](#)