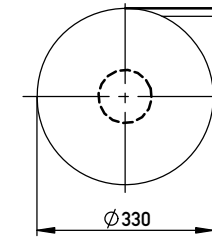
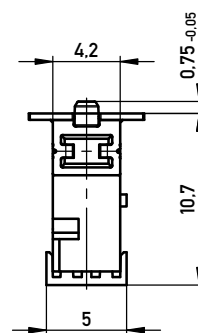
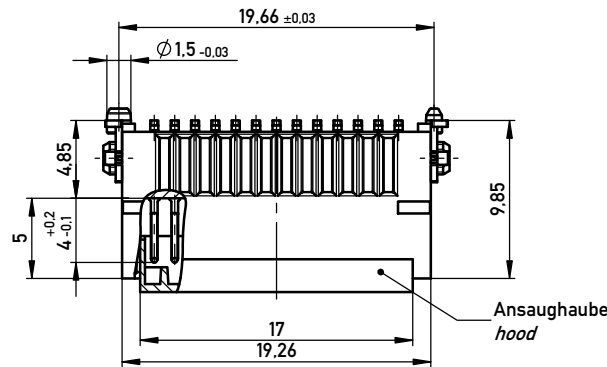
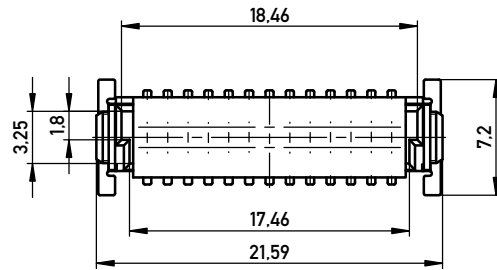
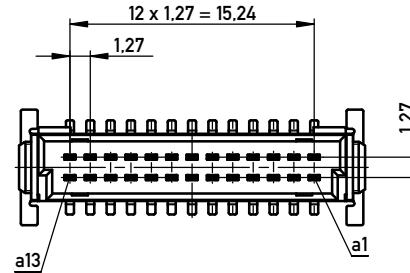


Verpackt im Gurt in Anlehnung an DIN IEC 60286-3
tape on reel packaging according to DIN IEC 60286-3
 Verpackungseinheit: 250 Stück
packaging unit: 250 pcs



ohne Ansaughaube - *without hood*



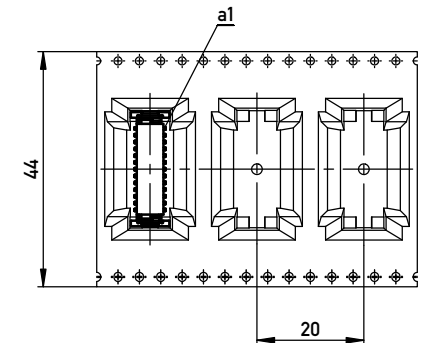
Anforderungsstufe 1
performance level 1

Kontaktbereich vergoldet
mating area gold plating

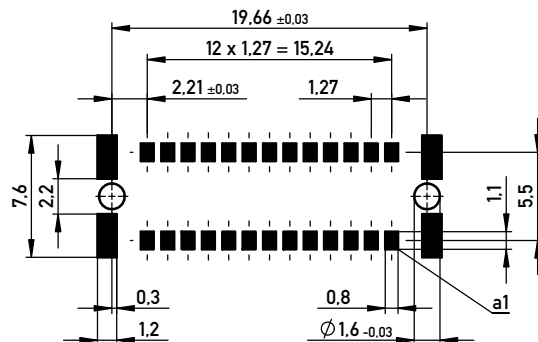
Anschlussbereich verzinkt 4-6 µm
terminal area 4-6 µm tin plating

Koplanarität der Anschlüsse ≤ 0,1 mm
coplanarity area of termination ≤ 0,1 mm

Abspulrichtung - *Reel off Direction*



Leiterplatten-Layout Vorschlag für SMT
PCB-Layout Proposal for SMT



Copyright by ERNI Production GmbH & Co., KG
 Proprietary notice pursuant to ISD 18016 to be observed.

| | | | | | | | |
|--|--|--|----------------------|-------------------|-----|--|--|
| Information: | | Tolerances | All Dimensions in mm | Scale | 3:1 | BA 8-23 - hohe Bauhöhe type 8-23 - High Profile | |
| All rights reserved. Only for Information. To ensure that this is the latest version of this drawing, please contact one of the ERNI companies before using. | | Subject to modification without prior notice. Drawing will not be updated. | | Designation | | Messerl. SMC-Q 26-SMD-BA8-23 Male SMC-Q 26-SMD-type8-23 | |
| f | | 06.09.2018 | | ERNI www.ERNI.com | | 234207 | |
| Index | | Date | | Class | | SMCQ | |
| | | | | | | I A3 | |

X-ON Electronics

Largest Supplier of Electrical and Electronic Components

Click to view similar products for [Board to Board & Mezzanine Connectors](#) category:

Click to view products by [ERNI](#) manufacturer:

Other Similar products are found below :

[589158040000018](#) [MDF7C-18P-2.54DSA\(55\)](#) [FCN-230C068-11](#) [FCN-268F012-G/BD](#) [FCN-268F036-G/BD](#) [FCN-268M012-G/0D](#) [FCN-268M024-G/1D](#) [FCN-723J004/1](#) [MIS-048-01-F-D-DP-K](#) [832-10-034-10-001000](#) [FX4C-80S-1.27DSA](#) [FCN-214Q030-G/0](#) [FCN-234P048-G/0](#) [FCN-235D050-G/C](#) [210-93-314-41-105000](#) [2-22603-0](#) [MDF7-40DP-2.54DSA\(55\)](#) [AXG720047](#) [5031084030](#) [MIT-114-03-F-D-K](#) [55323-1519](#) [DF33-2P-3.3DSA\(24\)](#) [YFT-20-05-H-03-SB-K](#) [503308-3040](#) [026-6203-PDB](#) [027-6203-PDB](#) [069159702701000](#) [10123981-102LF](#) [101A10019X](#) [55650-0588-C](#) [68684-306](#) [75140-7012](#) [589159005003045](#) [194261-1](#) [FCN-268F024-G0D](#) [10124054-515LF](#) [68685-603](#) [8-1616154-3](#) [MIS-019-01-F-D](#) [589159005002045](#) [541371078](#) [IL-WX-10PB-HF-B-E1000E](#) [FCN-268M024-G/3D](#) [20021832-06016C1LF](#) [KX15-20KLDL-E1000E](#) [MDF7-16DP-2.54DSA\(55\)](#) [AXE810124](#) [FCN-214J100-G/0](#) [FCN-230C068-E/S](#) [AXE812124](#)