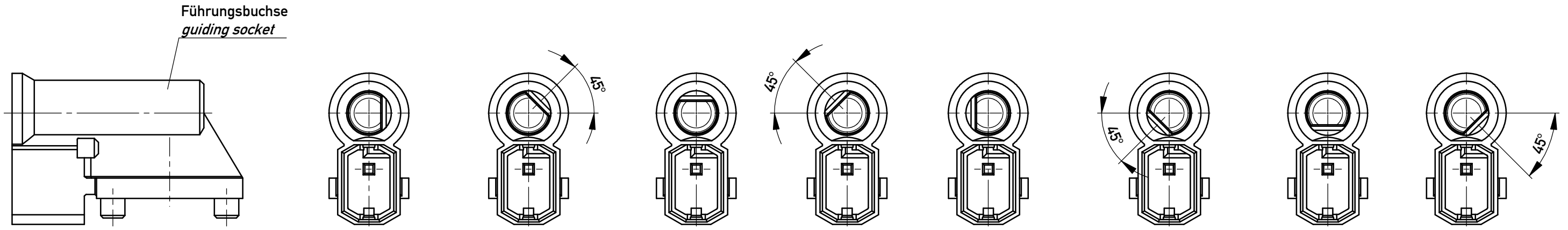
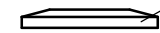


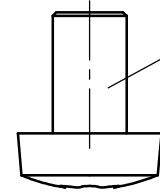
| | | | | | | | | |
|------------------------------|--------|--------|--------|--------|--------|--------|--------|--------|
| Board Thickness 3.0 - 4.5 mm | 244635 | 244636 | 244637 | 244638 | 244639 | 244640 | 244641 | 244642 |
| Board Thickness 1.5 - 3.0 mm | 204397 | 204398 | 204399 | 204400 | 204401 | 204402 | 204403 | 204404 |



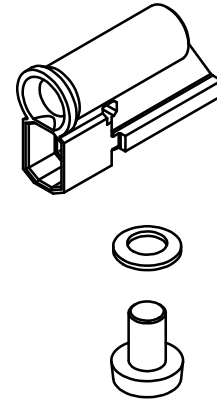
Schnorr Scheibe S5 rostfrei
"Schnorr" washer



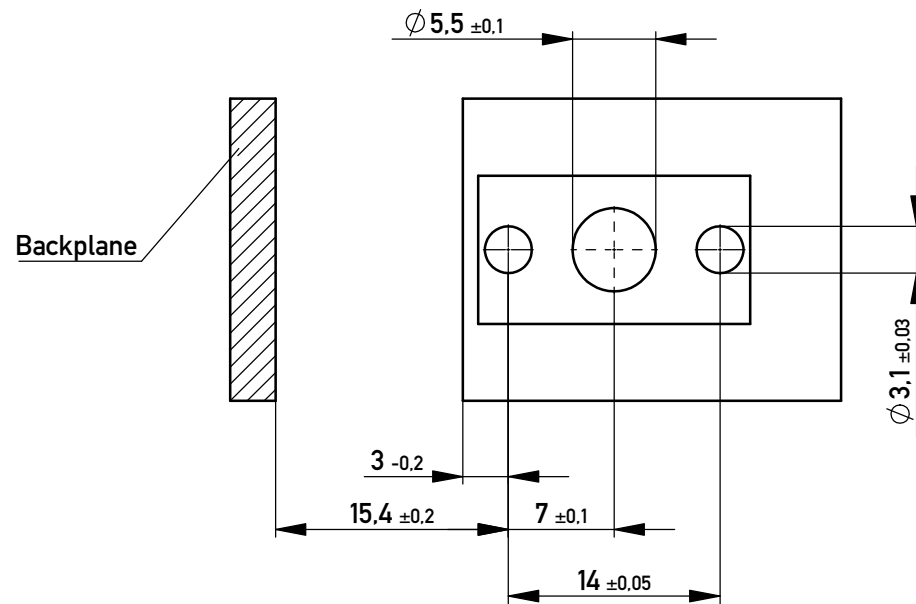
Linsenschraube mit Torx ISO 7380-M5xL
button head socket screw



M 1:1 / scale 1:1
(244635)



Layout der Tochterkarte
Layout of daughtercard



Bausatz in Polybeutel verpackt
kit in plastic bag

| | |
|--------|--------------------------------------|
| 244642 | 8 Board thickness 3,0 - 4,5 mm |
| 244641 | |
| 244640 | |
| 244639 | |
| 244638 | |
| 244637 | |
| 244636 | 6 Board thickness 1,5 - 3,0 mm |
| 244635 | |
| 204404 | |
| 204403 | |
| 204402 | |
| 204401 | |
| 204400 | Schraubenlänge L / Lengh of screw |
| 204399 | |
| 204398 | |
| 204397 | Ident-Nr. Bausatz / Id. no. kit |

| | | | |
|--|------------|----------------------|--|
| Information: | | Tolerances | Scale 2:1 |
| All rights reserved. Only for Information. To ensure that this is the latest version of this drawing, please contact one of the ERNI companies before using. | | All Dimensions in mm | Designation |
| Subject to modification without prior notice. Drawing will not be updated. | | www.ERNI.com | Führungsteil, Bausatz Guiding System ERmet, kit |
| c | 14.03.2017 | 204396 | |
| Index | Date | 1 | |
| Class | | ERMBGR | |

X-ON Electronics

Largest Supplier of Electrical and Electronic Components

Click to view similar products for [Board to Board & Mezzanine Connectors](#) category:

Click to view products by [ERNI](#) manufacturer:

Other Similar products are found below :

[10135583-642402LF](#) [89885-310LF](#) [589158040000018](#) [6-1393048-0](#) [68683-613](#) [MDF7-12DP-2.54DSA](#) [MDF7-18P-2.54DSA\(01\)](#) [MDF7-20DP-2.54DSA](#) [MDF7-26D-2.54DSA\(55\)](#) [MDF7-3P-2.54DSA\(01\)](#) [MDF7B-3P-2.54DSA\(55\)](#) [MDF7C-11P-2.54DSA\(55\)](#) [MDF7C-18P-2.54DSA\(55\)](#) [MDF7C-5P-2.54DSA\(01\)](#) [MDF7P-5P-2.54DSA\(55\)](#) [75234-0516](#) [FCN-230C068-11](#) [FCN-268F012-G/BD](#) [FCN-268F036-G/BD](#) [FCN-268M012-G/0D](#) [FCN-268M024-G/1D](#) [FCN-360C008-C](#) [FCN-360C040-C](#) [FCN-723J004/1](#) [MIS-048-01-F-D-DP-K](#) [832-10-034-10-001000](#) [93696-325LF](#) [11828-1FA](#) [AXK630345P](#) [18097-0013](#) [ICA-328STT](#) [2007042-2](#) [304400-2](#) [FCN-214Q030-G/0](#) [FCN-215Q040-G/0](#) [FCN-230C068-ESA](#) [FCN-234P048-G/0](#) [FCN-235D050-G/C](#) [FCN-360A3](#) [FCN-360C040-B](#) [210-93-314-41-105000](#) [2-22603-0](#) [379-064-521-202](#) [MDF7-12P-2.54DSA\(01\)](#) [MDF7-16P-2.54DS\(56\)](#) [MDF7-40DP-2.54DSA\(55\)](#) [MDF7-8P-2.54DSA\(55\)](#) [MDF7B-16P-2.54DSA\(55\)](#) [AXG720047](#) [5031084030](#)