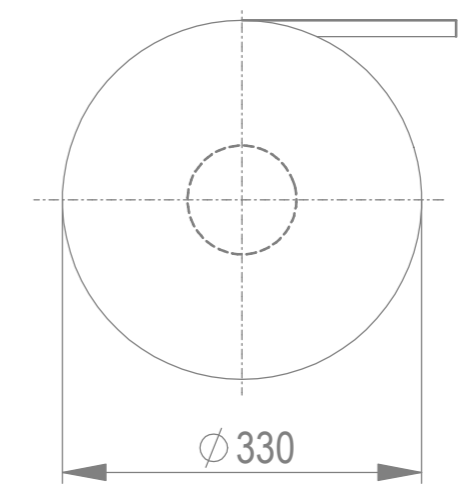
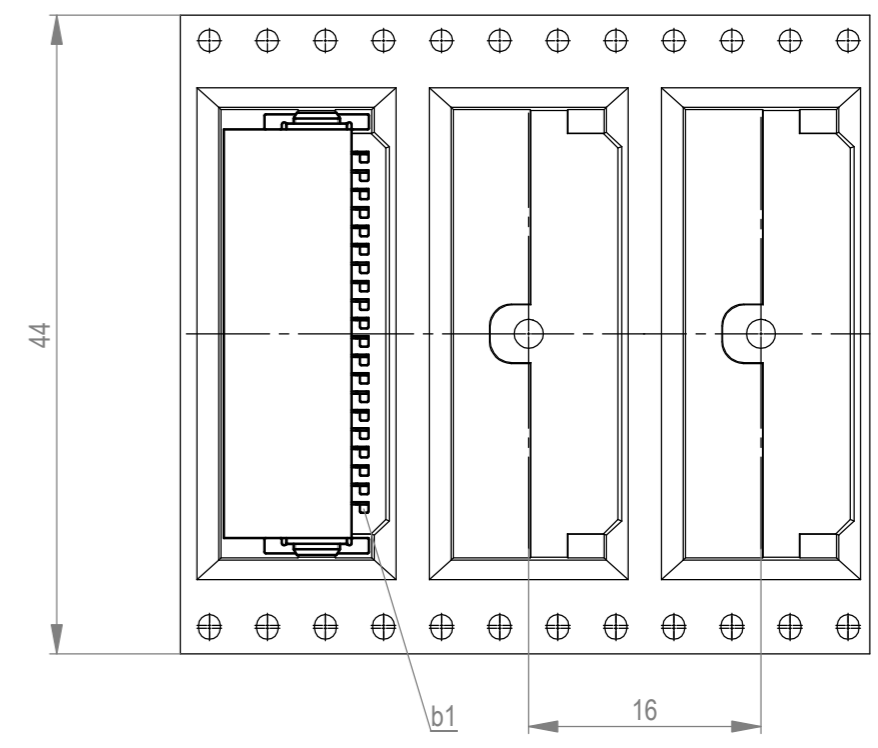


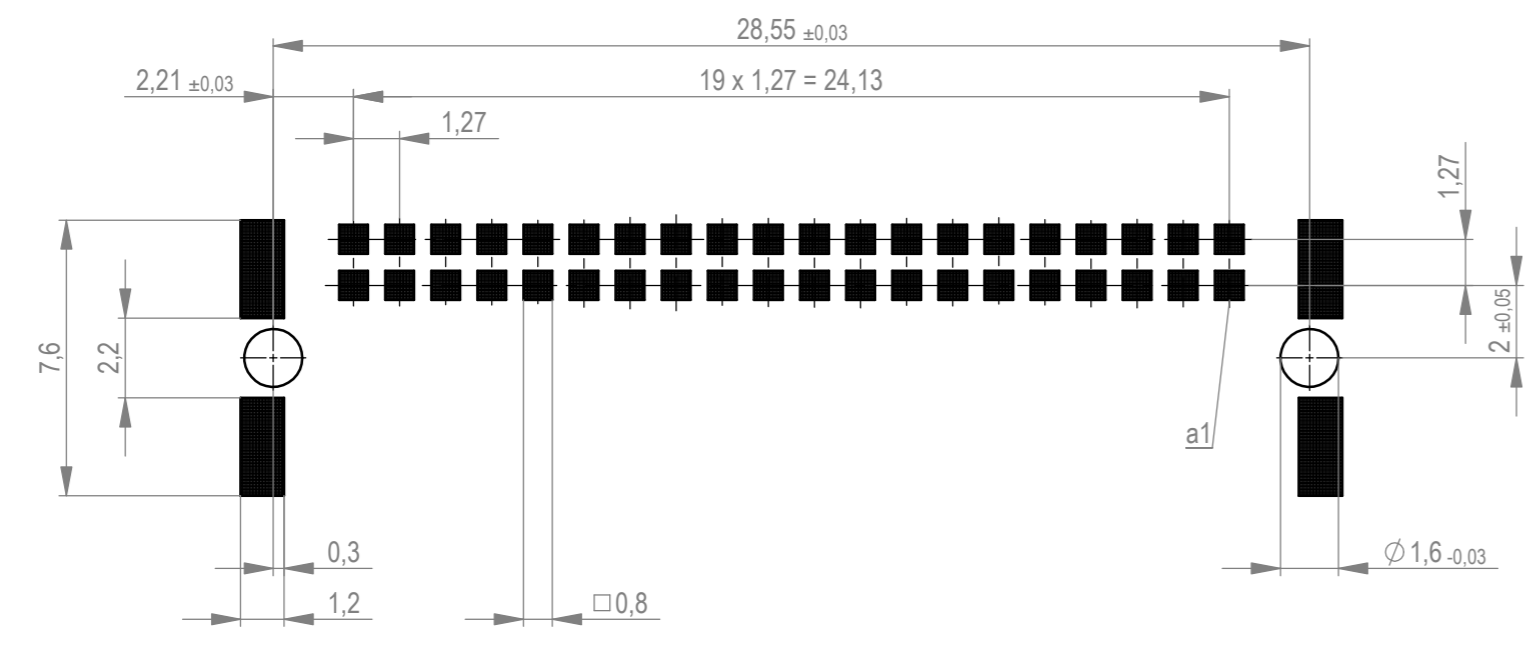
Verpackt im Gurt in Anlehnung an DIN IEC 60286-3
 tape on reel packaging according to DIN IEC 60286-3
 Verpackungseinheit: 560 Stück
 packaging unit: 560 pcs



Abspulrichtung - reel off direction →



Leiterplatten-Layout Vorschlag für SMT
 PCB-Layout Proposal for SMT



Anforderungsstufe 1
 performance level 1
 Kontaktbereich vergoldet
 mating area gold plating
 Anschlussbereich verzinkt 4-6 µm
 terminal area 4-6 µm tin plating
 Koplanarität der Anschlüsse ≤ 0,1 mm
 coplanarity area of termination ≤ 0,1 mm

BA7-03 - Standard Bauhöhe
 type7-03 - Standard Assembly Height

Dimension no.	Tolerances	Scale	5:1
	ISO 8015	Material	
Customer drawing:	Subject to modification without prior notice. Drawing will not be updated.	Messerl. SMC-B 40-SMD-BA7-03 Male SMC-B 40-SMD-type7-03	
All rights reserved. Only for information. To ensure that this is the latest version of this drawing, please contact one of the ERNI companies before using.	ERNI International AG Zürichstrasse 72 8306 Brüttisellen - Zürich Switzerland	354097	
d Index	18.02.2020 Date	Class	SMCB

Wichtigste Voraussetzung dieses Dokuments, Verwertung und Mitteilung seines Inhalts sind die Beschränkung der Haftung für Schäden, die aus der Verwendung dieses Dokuments resultieren. Alle Rechte für den Fall der Patent-, Gebrauchsmarken- oder Geschäftsgeheimnisverletzung vorbehalten. The reproduction, distribution and alteration of this document as well as the communication of its contents is prohibited without the prior written consent of the responsible department of origin. All rights reserved in the event of the grant of a patent, utility model or design.

X-ON Electronics

Largest Supplier of Electrical and Electronic Components

Click to view similar products for [Board to Board & Mezzanine Connectors](#) category:

Click to view products by [ERNI](#) manufacturer:

Other Similar products are found below :

[10135583-642402LF](#) [89885-310LF](#) [589158040000018](#) [6-1393048-0](#) [68683-613](#) [MDF7-12DP-2.54DSA](#) [MDF7-18P-2.54DSA\(01\)](#) [MDF7-20DP-2.54DSA](#) [MDF7-26D-2.54DSA\(55\)](#) [MDF7-3P-2.54DSA\(01\)](#) [MDF7B-20P-2.54DSA\(01\)](#) [MDF7B-3P-2.54DSA\(55\)](#) [MDF7C-11P-2.54DSA\(55\)](#) [MDF7C-18P-2.54DSA\(55\)](#) [MDF7C-5P-2.54DSA\(01\)](#) [MDF7P-5P-2.54DSA\(55\)](#) [75234-0516](#) [FCN-230C068-11](#) [FCN-268F012-G/BD](#) [FCN-268F036-G/BD](#) [FCN-268M012-G/0D](#) [FCN-268M024-G/1D](#) [FCN-360C008-C](#) [FCN-360C040-C](#) [FCN-723J004/1](#) [MIS-048-01-F-D-DP-K](#) [832-10-034-10-001000](#) [93696-325LF](#) [11828-1FA](#) [AXK630345P](#) [18097-0013](#) [ICA-328STT](#) [2007042-2](#) [304400-2](#) [FCN-214Q030-G/0](#) [FCN-215Q040-G/0](#) [FCN-230C068-ESA](#) [FCN-234P048-G/0](#) [FCN-235D050-G/C](#) [FCN-360A3](#) [FCN-360C040-B](#) [210-93-314-41-105000](#) [2-22603-0](#) [379-064-521-202](#) [MDF7-12P-2.54DSA\(01\)](#) [MDF7-16P-2.54DS\(56\)](#) [MDF7-40DP-2.54DSA\(55\)](#) [MDF7-8P-2.54DSA\(55\)](#) [MDF7B-16P-2.54DSA\(55\)](#) [AXG720047](#)