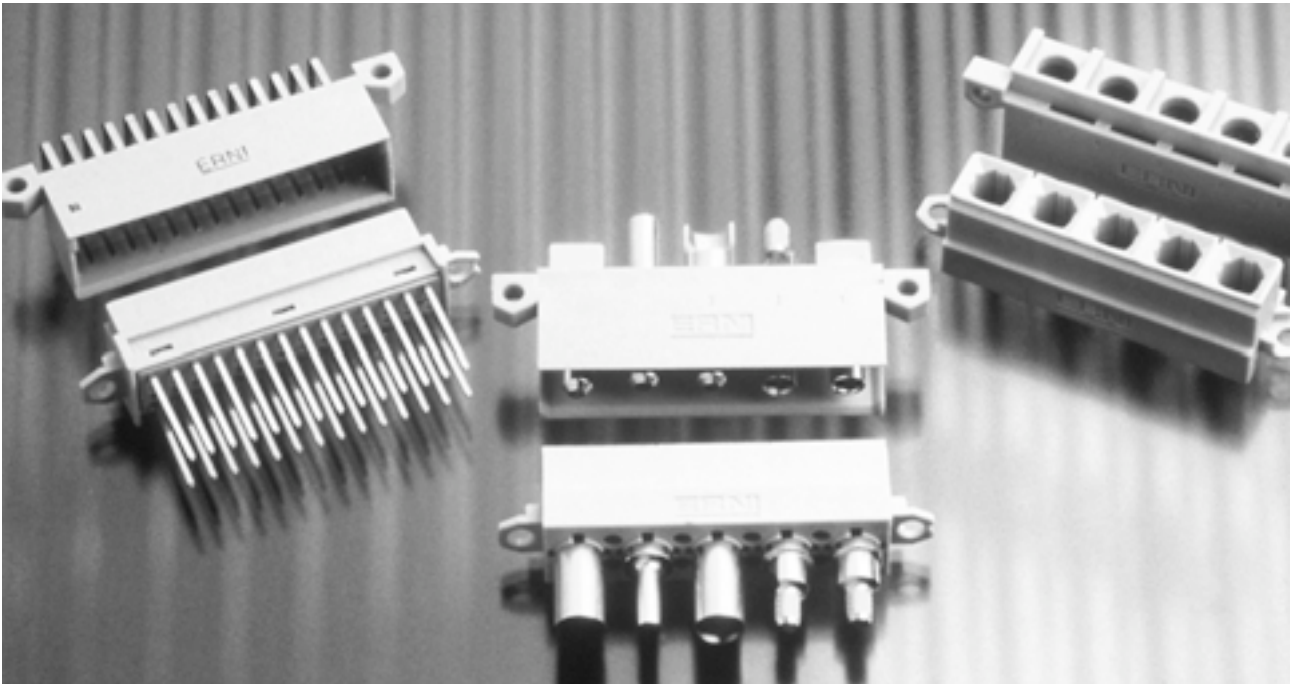


## Eurocard Center Connector



### General information

These Eurocard center connectors fit precisely between two connectors mounted on a standard double Eurocard. The connector mounting flanges are standardized so that the Eurocard center connectors can be combined with size B, C, D, E, E 160, M and H 11 male connectors and with the size Q and R reverse female connectors as per DIN 41612/IEC 60603-2.

In addition to the version with a maximum of 42 signal contacts up to 4 A there is a second configuration with a maximum of 5 special contacts.

The latter are either high current contacts up to 40 A or coaxial contacts.

### Electrical and mechanical characteristics

Max. number of poles	42
Temperature range	-65° C ...+ 125° C
Working current at + 20° C (293 K) ambient + 70° C (343 K) temp. of + 100° C (373 K)	4,0 A 2,0 A 1,0 A
Test voltage 50 Hz, 1 min. contact/contact	1000 V eff

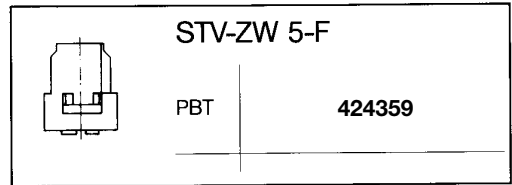
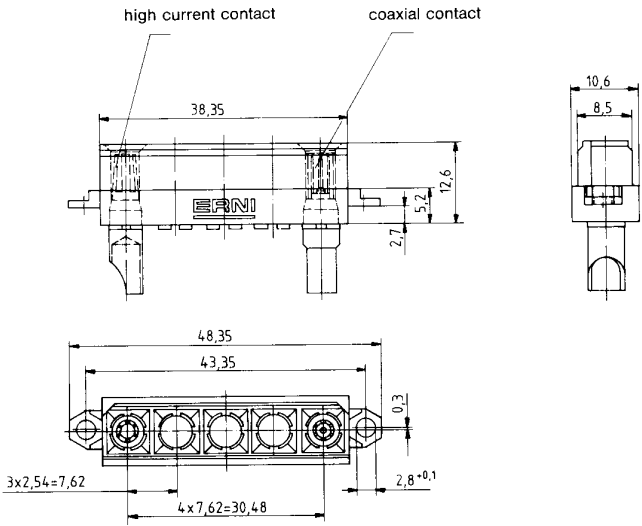
More electrical and mechanical characteristics according to the size C as per DIN 41612/IEC 60603-2.

Creeping current strength (as per DIN IEC 112)	CTI 275 CTI 175 M
Service life to DIN 41612/IEC 60603-2 Part 5	Quality class 1 $\geq$ 500 Mating-cycles 2 $\geq$ 400 Mating-cycles 3 $\geq$ 50 Mating-cycles
Housing material Male and female halves	PBT 30 % fibre enhanced
Inflammability	Non flammable as per UL 94 V-0

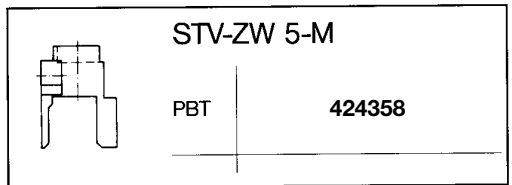
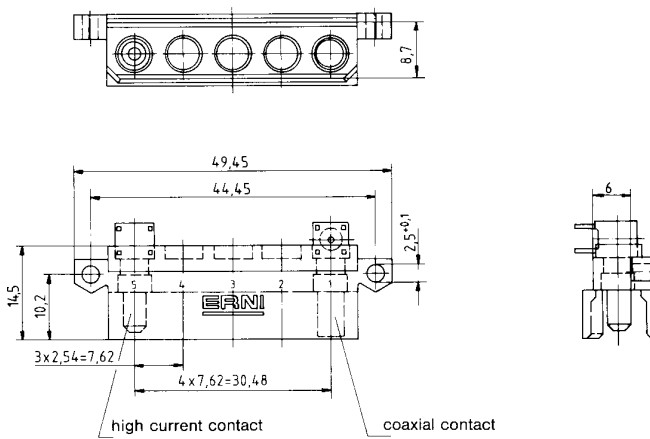
Circuit board specifications for the press-in technique are contained in a separate „ERNIPRESS“ data sheet.

## Dimensions and ordering information

### Female half, 5 poles for special contacts

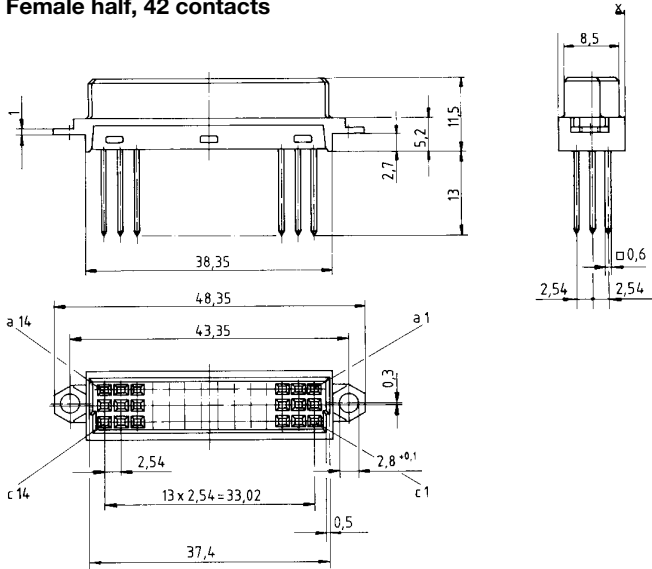


### Male half, 5 poles for special contacts

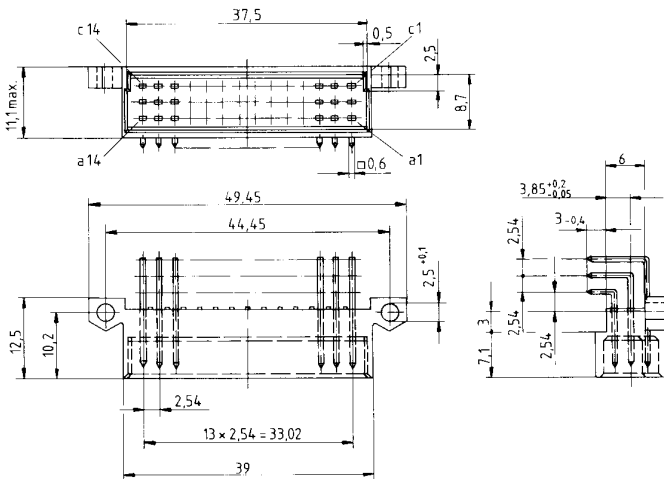


## Dimensions and ordering information

### Female half, 42 contacts



### Male half, 42 contacts



STV-ZW 42-F-abc			
PBT	107	207	307
004285 004286 004287			

STV-ZW 42-F-abc			
PBT	107	207	307
433584 433585 433586			

### ERNIPRESS EE compliant press-in zone

STV-ZW 42-F-abc-EE			
PBT	107	207	307
004288 004289 004290			

STV-ZW 42-F-abc-EE *			
PBT	107	207	307
433587 433588 433589			

\* also available with transfer zone terminations

STV-ZW 42-M-abc			
PBT	107	207	307
433590 433591 433592			

also available with

- straight dip solder terminals
- straight wire-wrap terminations

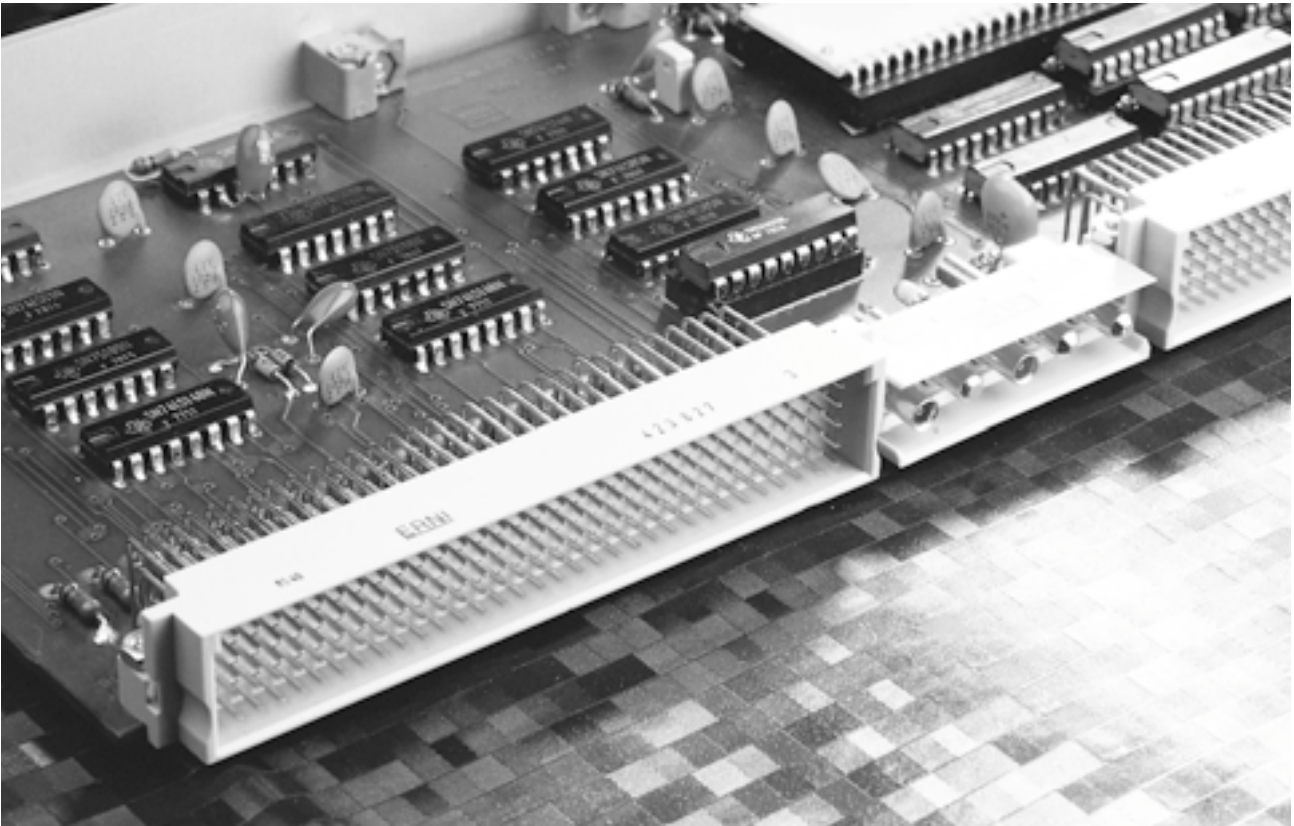
## Quality classes/Executions

**107** Meets the requirements of DIN 41612/IEC 60603-2 quality class 1  
500 mating cycles,  
contact areas gold-plated  
connection areas tin-plated

**207** Meets the requirements of DIN 41612/IEC 60603-2 quality class 2  
400 mating cycles,  
contact areas gold-plated  
connection areas tin-plated

**307** Meets the requirements of DIN 41612/IEC 60603-2 quality class 3  
50 mating cycles,  
contact areas gold-plated  
connection areas tin-plated

## Applications



DIN 41612

If extra connections are required on a standard double Eurocard, the Eurocard center connector can be mounted between the DIN 41612/IEC 60603-2 connectors. These connections can be used as signal contacts up to 4 A, high current contacts up to 40 A or coaxial contacts.

Typical applications for coaxial contacts are:

- Image processing and graphics cards for CAD computers
- Computer-controlled HF measuring and testing devices
- Computer networks

With these coaxial contacts signals with frequencies up to GHz range can be transmitted.

The contacts have a characteristic impedance of  $50\Omega$  or  $75\Omega$  so that they can be adapted to the cable system used. Contact attenuation is below 1 dB at each contact point.

## X-ON Electronics

Largest Supplier of Electrical and Electronic Components

*Click to view similar products for [DIN 41612 Connectors](#) category:*

*Click to view products by [ERNI](#) manufacturer:*

Other Similar products are found below :

[004.767](#) [608489050008049](#) [691327-1](#) [74670-0732](#) [74680-0340](#) [75880-0015](#) [76453-0014](#) [86093159ALF](#) [9732967801](#) [QLC260R](#)  
[120X10019X](#) [120X10089X](#) [122A10249X](#) [122A11089X](#) [122A13089X](#) [122A10089X](#) [122A10129X](#) [122A10349X](#) [122A13359X](#) [1377391-4](#)  
[DIN-048CPC-SR1-MH](#) [1393583-2](#) [1393726-7](#) [140X10129X](#) [143-1913-000](#) [143-1908-000](#) [1484472-1](#) [2110070-1](#) [2110070-2](#) [CBC20T00-](#)  
[008FDS5-0-1-002VR](#) [172699-5036](#) [2-1393557-4](#) [2-1437084-2](#) [394506](#) [419-2080-402](#) [419-2085-302](#) [V42254B2202C968](#) [419-2086-201](#) [419-](#)  
[2087-002](#) [448657-1](#) [448847-3](#) [5-1393755-9](#) [02990000004](#) [033020](#) [043619](#) [054302](#) [043556](#) [0760557108](#) [09062483201750](#) [0850033067](#)