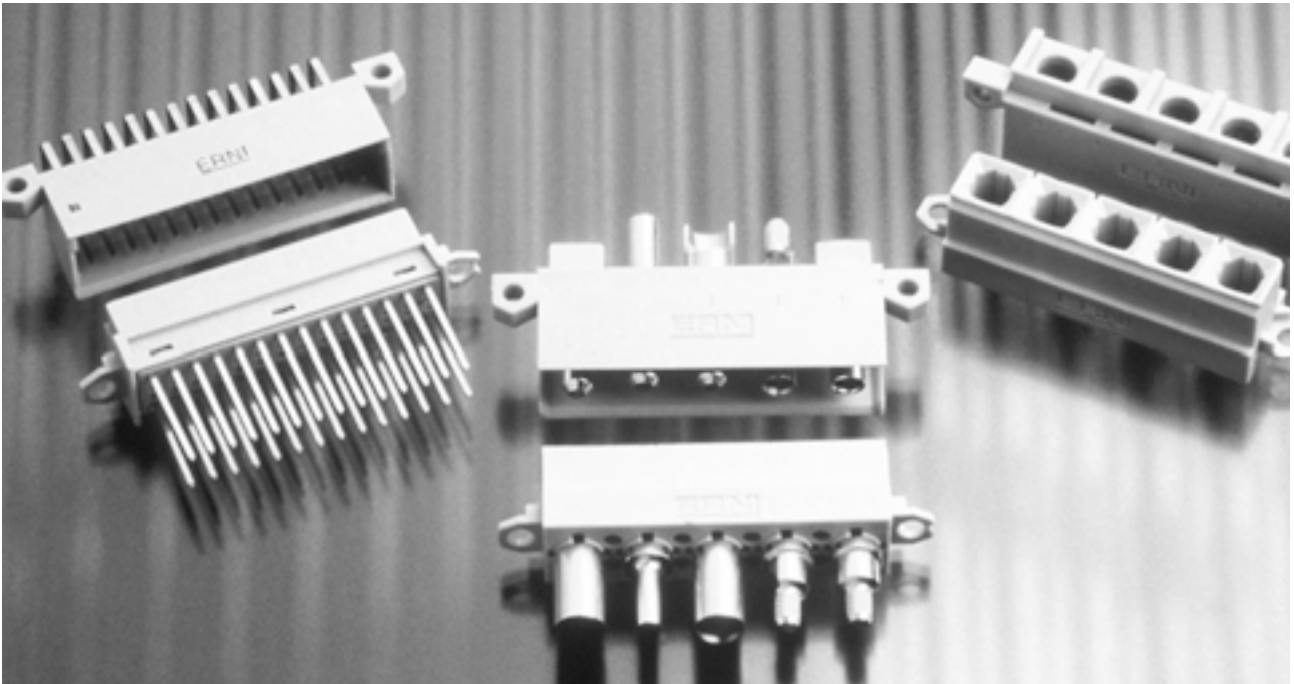


Eurocard Center Connector



General information

These Eurocard center connectors fit precisely between two connectors mounted on a standard double Eurocard. The connector mounting flanges are standardized so that the Eurocard center connectors can be combined with size B, C, D, E, E 160, M and H 11 male connectors and with the size Q and R reverse female connectors as per DIN 41612/IEC 60603-2.

In addition to the version with a maximum of 42 signal contacts up to 4 A there is a second configuration with a maximum of 5 special contacts.

The latter are either high current contacts up to 40 A or coaxial contacts.

Electrical and mechanical characteristics

Max. number of poles	42
Temperature range	-65° C ...+ 125° C
Working current at + 20° C (293 K) ambient + 70° C (343 K) temp. of + 100° C (373 K)	4,0 A 2,0 A 1,0 A
Test voltage 50 Hz, 1 min. contact/contact	1000 V eff

More electrical and mechanical characteristics according to the size C as per DIN 41612/IEC 60603-2.

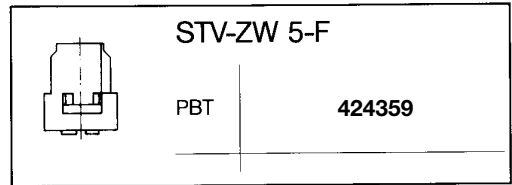
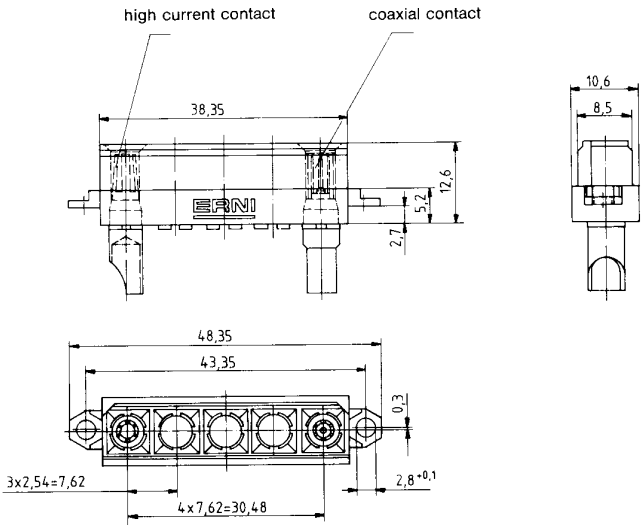
Creeping current strength (as per DIN IEC 112)	CTI 275 CTI 175 M
Service life to DIN 41612/IEC 60603-2 Part 5	Quality class 1 \geq 500 Mating-cycles 2 \geq 400 Mating-cycles 3 \geq 50 Mating-cycles
Housing material Male and female halves	PBT 30 % fibre enhanced
Inflammability	Non flammable as per UL 94 V-0

Circuit board specifications for the press-in technique are contained in a separate „ERNIPRESS“ data sheet.

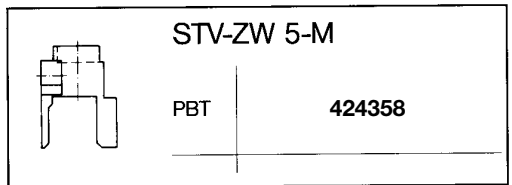
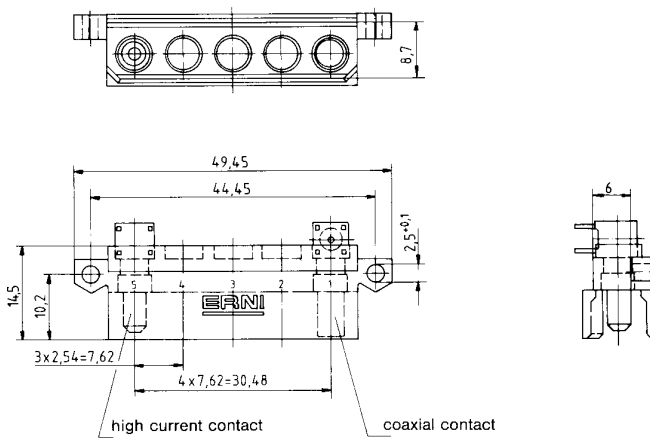


Dimensions and ordering information

Female half, 5 poles for special contacts

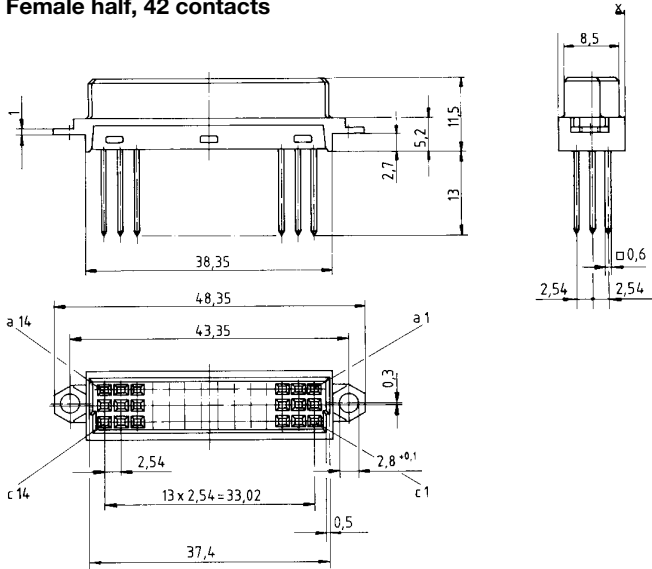


Male half, 5 poles for special contacts



Dimensions and ordering information

Female half, 42 contacts



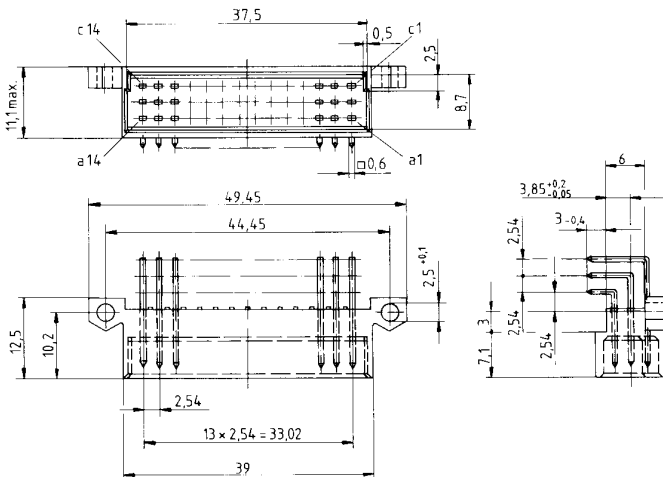
STV-ZW 42-F-abc			
PBT	107	207	307
004285 004286 004287			

STV-ZW 42-F-abc			
PBT	107	207	307
433584 433585 433586			

ERNIPRESS EE compliant press-in zone

STV-ZW 42-F-abc-EE			
PBT	107	207	307
004288 004289 004290			

Male half, 42 contacts



STV-ZW 42-F-abc-EE *			
PBT	107	207	307
433587 433588 433589			

* also available with transfer zone terminations

STV-ZW 42-M-abc			
PBT	107	207	307
433590 433591 433592			

also available with

- straight dip solder terminals
- straight wire-wrap terminations

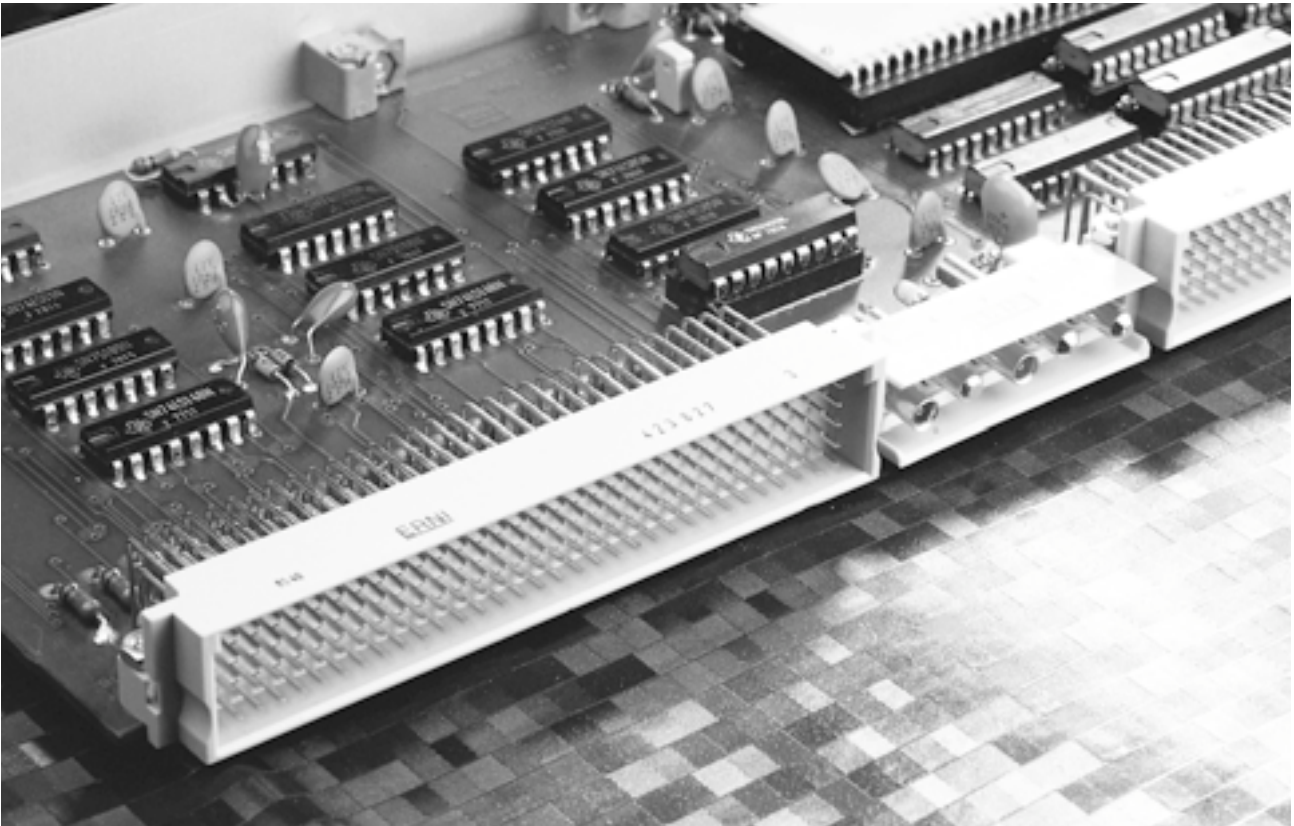
Quality classes/Executions

107 Meets the requirements of DIN 41612/IEC 60603-2 quality class 1
500 mating cycles,
contact areas gold-plated
connection areas tin-plated

207 Meets the requirements of DIN 41612/IEC 60603-2 quality class 2
400 mating cycles,
contact areas gold-plated
connection areas tin-plated

307 Meets the requirements of DIN 41612/IEC 60603-2 quality class 3
50 mating cycles,
contact areas gold-plated
connection areas tin-plated

Applications



If extra connections are required on a standard double Eurocard, the Eurocard center connector can be mounted between the DIN 41612/IEC 60603-2 connectors. These connections can be used as signal contacts up to 4 A, high current contacts up to 40 A or coaxial contacts.

Typical applications for coaxial contacts are:

- Image processing and graphics cards for CAD computers
- Computer-controlled HF measuring and testing devices
- Computer networks

With these coaxial contacts signals with frequencies up to GHz range can be transmitted.

The contacts have a characteristic impedance of 50Ω or 75Ω so that they can be adapted to the cable system used. Contact attenuation is below 1 dB at each contact point.

X-ON Electronics

Largest Supplier of Electrical and Electronic Components

Click to view similar products for [DIN 41612 Connectors](#) category:

Click to view products by [ERNI](#) manufacturer:

Other Similar products are found below :

[09231126901](#) [PCN10F-24P-2.54DS\(72\)](#) [004.767](#) [02221602702](#) [024069](#) [602427301412000](#) [013275](#) [691327-1](#) [74670-0732](#) [74680-0340](#)
[75880-0015](#) [76453-0014](#) [86093159ALF](#) [923454](#) [QLC260R](#) [120X10099X](#) [120X10019X](#) [120X10089X](#) [120X10129X](#) [121A10039X](#)
[121A10309X](#) [122A10019X](#) [122A10029X](#) [122A10249X](#) [122A10669X](#) [122A11089X](#) [122A13089X](#) [121B10409X](#) [122A10089X](#)
[122A10129X](#) [122A10349X](#) [122A13359X](#) [1377391-4](#) [DIN-048CPC-SR1-MH](#) [1393583-2](#) [1393726-7](#) [140X10059X](#) [140X10129X](#) [143-1913-](#)
[000](#) [143-1908-000](#) [1484472-1](#) [173052](#) [2110070-1](#) [2110070-2](#) [CBC20T00-008FDS5-0-1-002VR](#) [983-0SE12-12P6](#) [17041102202](#) [172699-](#)
[5036](#) [173051](#) [20](#) [8457096](#) [010](#) [025](#)