

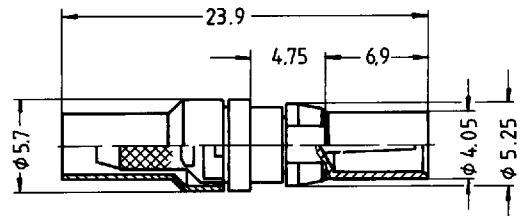
RF/Coaxial contacts for male connector housings*

Straight coaxial contact for cable connection †



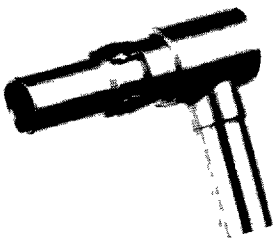
Ordering information

Quality class	
1	2
594 207	594 208



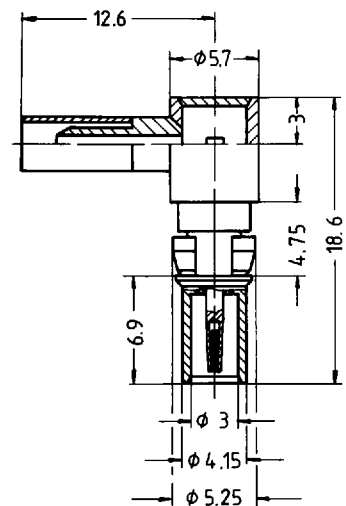
for cable types:
RG 188 A/U, RG 174 A/U, RG 316 U,
RG 179 B/U, RG 187 A/U

Right-angled coaxial contact for cable connection †



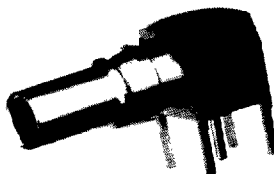
Ordering information

Quality class	
1	2
594 209	594 210



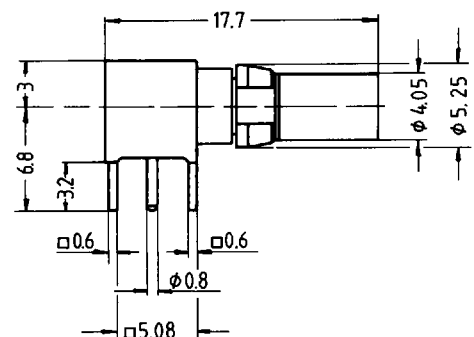
for cable types:
RG 188 A/U, RG 174 A/U, RG 316 U,
RG 179 B/U, RG 187 A/U

Right-angled coaxial contact for PCB solder



Ordering information

Quality class	
1	2
594 211	594 212



5 solder connections
For mounting holes
see Fig. 3 on Page 14

* Other styles available – please consult factory

† Soldered inner conductor, crimped outer ferrule – see page 10

Special contacts

Electrical and mechanical characteristics

RF/Coaxial contacts

Outer conductor	Cu Zn 39 Pb 2
Sprung contact part	Cu Be hardened
Insulation part	PTFE
Crimp sleeve	Cu
Retaining clip	Cu Be hardened
Wave impedance	50 Ω *
Test voltage 50 Hz	750 V _{eff}
Insulation resistance	$\geq 10^{12}$ Ω
Volume resistance	≤ 6 m Ω
Inner conductor resistance	≤ 3 m Ω
Outer conductor resistance	
Working frequency	max. 30 GHz.
Reflection factor	max. 0.05 to 1 GHz. max. 0.07 to 4 GHz. max. 0.10 to 10 GHz.
Temperature range	-65° ... + 165° C

* 75 Ω contacts available – please consult factory

High-current contacts

Male contact	Cu Zn 39 Pb 2
Female contact	Cu Be hardened
Retaining clip	Cu Be hardened
Current-carrying capacity	30 A at 70° C
Test voltage 50 Hz	2500 V _{eff}
Volume resistance	≤ 1 m Ω
Temperature range	-55° ... + 125° C

Quality classes

Coaxial contacts

- 1 Meets the requirements of MIL-STD 202 and BS 9525 F 0011. Internal conductor and external conductor gold plated. 500 mating cycles.
- 2 As quality class 1 but 400 mating cycles.

High-current contacts

- 1 Meets the requirements of MIL-STD 202 and BS 9525 F 0011. Contacts are gold-plated. 500 mating cycles.
- 2 As quality class 1 but 400 mating cycles.

X-ON Electronics

Largest Supplier of Electrical and Electronic Components

Click to view similar products for [DIN 41612 Connectors](#) category:

Click to view products by [ERNI](#) manufacturer:

Other Similar products are found below :

[004.767](#) [608489050008049](#) [691327-1](#) [74670-0732](#) [74680-0340](#) [75880-0015](#) [76453-0014](#) [86093159ALF](#) [9732967801](#) [QLC260R](#)
[120X10019X](#) [120X10089X](#) [122A10249X](#) [122A11089X](#) [122A13089X](#) [122A10089X](#) [122A10129X](#) [122A10349X](#) [122A13359X](#) [1377391-4](#)
[DIN-048CPC-SR1-MH](#) [1393583-2](#) [1393726-7](#) [140X10129X](#) [143-1913-000](#) [143-1908-000](#) [1484472-1](#) [2110070-1](#) [2110070-2](#) [CBC20T00-](#)
[008FDS5-0-1-002VR](#) [172699-5036](#) [2-1393557-4](#) [2-1437084-2](#) [394506](#) [419-2080-402](#) [419-2085-302](#) [V42254B2202C968](#) [419-2086-201](#) [419-](#)
[2087-002](#) [448657-1](#) [448847-3](#) [5-1393755-9](#) [02990000004](#) [033020](#) [043619](#) [054302](#) [043556](#) [0760557108](#) [09062483201750](#) [0850033067](#)