

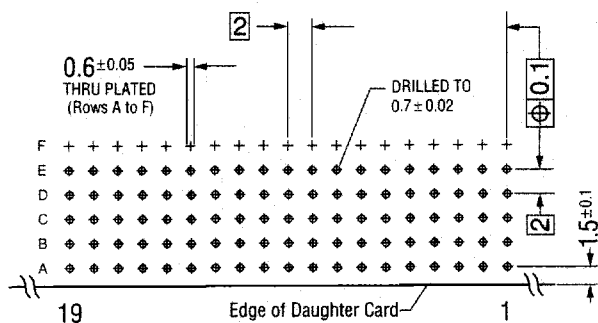
Special Connectors Male And Female Connectors For VME64 Extensions



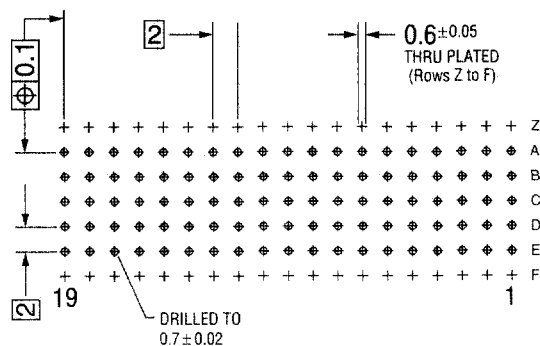
ERmet™ 2mm H.M. connectors and shrouds are also available for P0/J0 VME64 Extension center applications. The ERmet™ P0/J0 connectors fit precisely between the J1 and J2 connector positions and mate properly in conjunction with the DIN 41612 connector family.

ERNI offers both short and extended tail P0/J0 connectors for midplane, rear I/O or imbedded applications. These 5 + 2 rows by 19 position connectors are available in the standard type B, 95 signal pin, configuration. They are also available in the 80 pin type A configuration requested for some military applications which require keying in the connector area. Shrouds with optional latch arms are available in three heights for midplane or rear I/O applications.

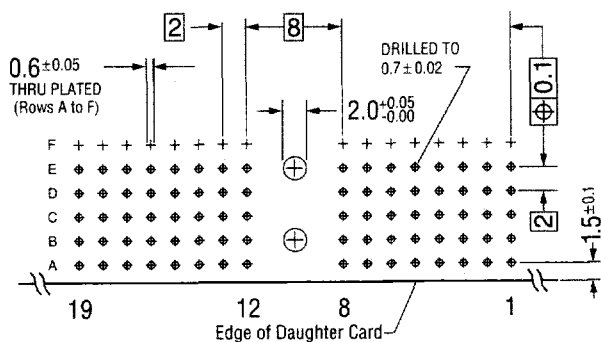
Type B Female Daughter Card



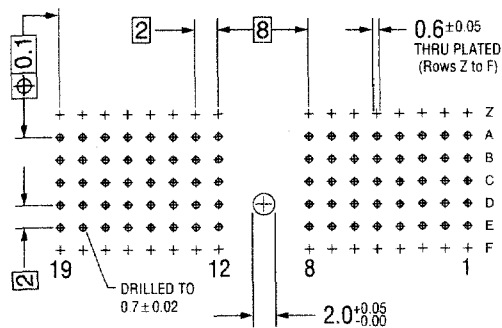
**Type B Male Backplane
(viewed from connector side)**



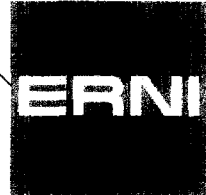
Type A Female Daughter Card



**Type A Male Backplane
(viewed from connector side)**



Dimensions shown are for reference purposes only. All dimensions are in millimeters (mm) unless otherwise noted.



Special Connectors
Male And Female Connectors For VME64 Extensions

Ordering Information

| Male Backplane Connector | Number Of Positions | Contact Loading* | ERNI Part Number |
|--------------------------|---------------------|------------------|------------------|
| Type A male, VME J0 | 19 | TRRRRT | 923105 |
| | | CAAAAAC | 923104 |
| | | MKKKKKM | 923106 |
| Type B male, VME J0 | 19 | TRRRRT | 914793 |
| | | CAAAAAC | 104108 |
| | | CBBBBBC | 103670 |
| | | MKKKKKM | 103526 |

| Female Daughter Card Connector | Number Of Positions | Special Features | ERNI Part Number |
|---------------------------------------|---------------------|-------------------|------------------|
| Type A female, VME P0 & rear P0 (RP0) | 19 | without shield | 923113 |
| | | with upper shield | 923112 |
| Type B female, VME P0 & rear P0 (RP0) | 19 | without shield | 914794 |
| | | with upper shield | 064784 |

| Ground Return Shields | Number Of Positions | Position | ERNI Part Number |
|-----------------------|---------------------|----------|------------------|
| Type A | 19 | upper | 923111 |
| | | lower | 923110 |
| Type B | 19 | upper | 064781 |
| | | lower | 064782 |

| Shrouds | Number Of Positions | Height† | ERNI Part Number |
|---------|---------------------|---------|------------------|
| Type A | 19 | 4.5 mm | 923107 |
| | | 5.3 mm | 923108 |
| | | 6.1 mm | 923109 |
| Type B | 19 | 4.5 mm | 064622 |
| | | 5.3 mm | 064623 |
| | | 6.1 mm | 064624 |

NOTE: P0, J0, J0, RP0 refer to connector positions defined in the proposed VITA Standards Organization, VME64 Extensions Standard.

† To choose the correct shroud height, see chart on page 21.

* PIN Loading Example

Several different contact loading configurations are offered for the male 2 mm VME64 Extensions P0/J0 connectors. They are identified in the chart above by referring to their cross sectional loading pattern as described in the drawing to the right.

For contact loading information, please refer to page 24.

| 25 | 24 | 23 | 22 | 21 | 20 | 19 | 18 | 17 | 16 | 15 | 11 | 10 | 9 | 8 | 7 | 6 | 5 | 4 | 3 | 2 | 1 |
|----|----|----|----|----|----|----|----|----|----|----|----|----|---|---|---|---|---|---|---|---|---|
| T | T | T | T | T | T | T | T | T | T | T | T | T | T | T | T | T | T | T | T | T | T |
| R | R | R | R | R | R | R | R | R | R | R | R | R | R | R | R | R | R | R | R | R | R |
| R | R | R | R | R | R | R | R | R | R | R | R | R | R | R | R | R | R | R | R | R | R |
| R | R | R | R | R | R | R | R | R | R | R | R | R | R | R | R | R | R | R | R | R | R |
| R | R | R | R | R | R | R | R | R | R | R | R | R | R | R | R | R | R | R | R | R | R |
| T | T | T | T | T | T | T | T | T | T | T | T | T | T | T | T | T | T | T | T | T | T |

Cross Sectional Loading
The contact loading nomenclature reads from left to right as rows 'z' to 'f'.

X-ON Electronics

Largest Supplier of Electrical and Electronic Components

Click to view similar products for [Hard Metric Connectors](#) category:

Click to view products by [ERNI](#) manufacturer:

Other Similar products are found below :

[6345127-1](#) [646916-9](#) [6469658-1](#) [973108](#) [1-2000713-0](#) [1-2000713-2](#) [1-2000713-3](#) [1645343-1](#) [1645456-1](#) [1645594-1](#) [1645595-1](#) [1645601-1](#)
[1934822-1](#) [278071110010833](#) [1645179-1](#) [1645245-1](#) [1645457-1](#) [1645525-1](#) [1645570-1](#) [1645596-1](#) [17041102202](#) [1857470-1](#) [1934275-1](#)
[1934289-1](#) [1934759-1](#) [2000673-1](#) [2170292-2](#) [2-536642-6](#) [3-106015-1](#) [352188-1](#) [352629-1](#) [5120823-1](#) [5120899-1](#) [3-100145-0](#) [3-100147-0](#)
[3-100669-1](#) [3-106081-0](#) [HM2DK2368PLF](#) [5646530-1](#) [3-352049-0](#) [3-352069-0](#) [3-352115-0](#) [3-352638-0](#) [352189-1](#) [3-646357-0](#) [3-646487-0](#)
[3-646513-0](#) [104108](#) [106726-1](#) [114352](#)