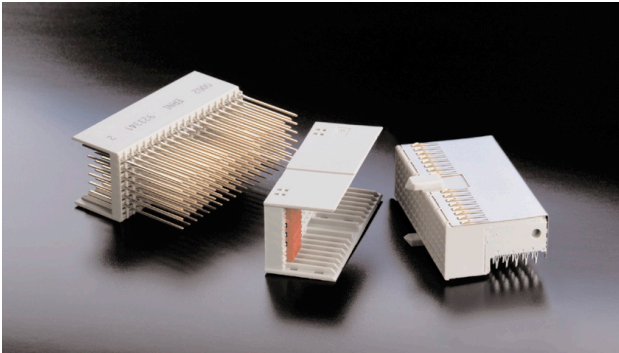


CompactPCI Connectors acc. to PIGMG 2.0 Rev. 3.0

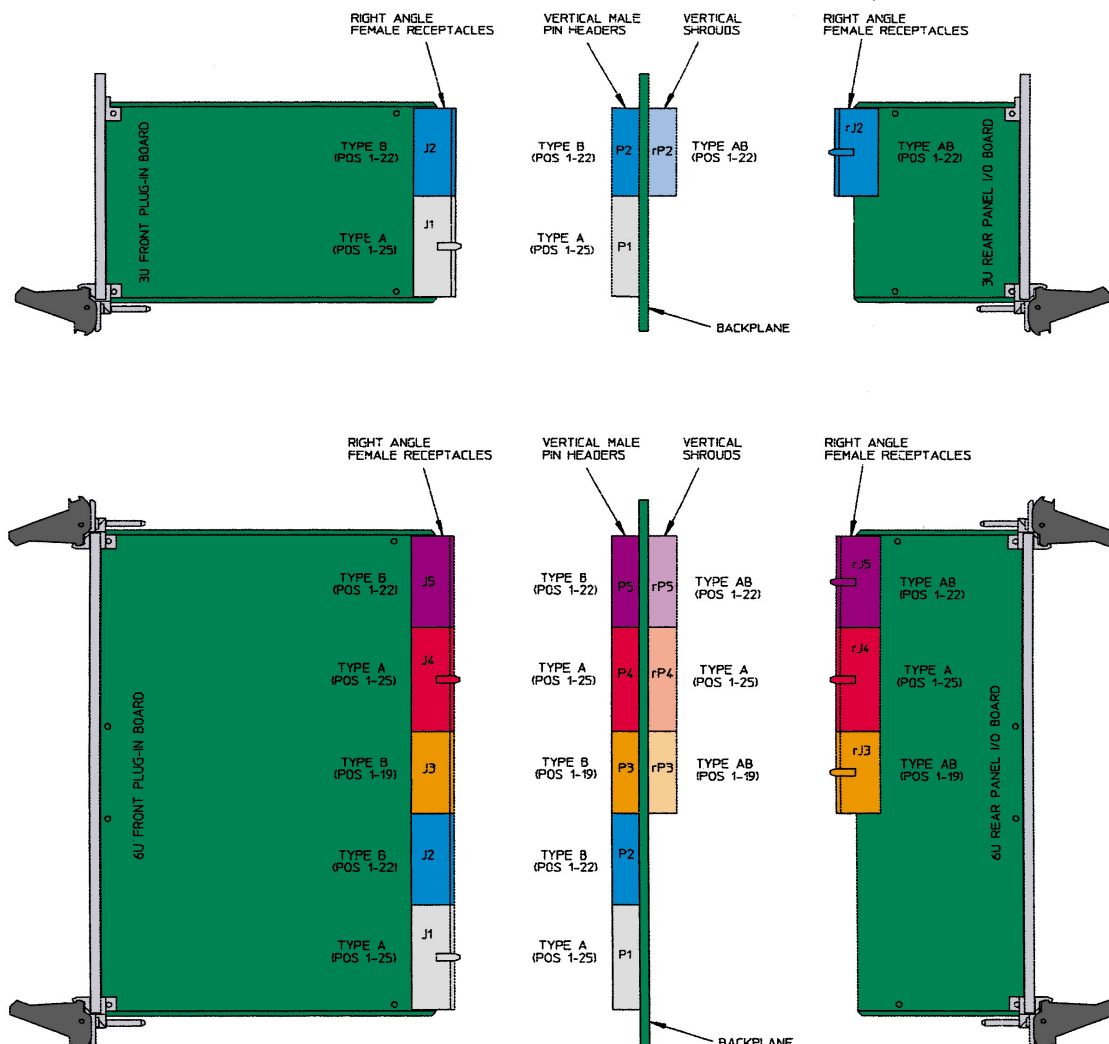


General

Late in 1999 PCI Industrial Computer Manufacturers Group (PICMG) introduced the new revision 3.0 of the CompactPCI Core Specification. Version 3.0 of this specification comprises a.o. hot swap and computer telephony specifications such as pin sequencing. For CompactPCI, the metric ERmet connectors are specified in accordance with IEC 61076-4-101 which are available in build types A, B, AB, and as monoblock versions. This new version of the CompactPCI specification has the consequence a.o. that for 3 HE backplanes on position P2 a male connector, build

type B with long connection pins for AB transfer and AB shrouds are inserted into position rP2. At the rear card end, on position rJ2, a shielded female connector in build type AB is specified. For 6 HE backplanes, on P3 and P5, the male connector - build type B with long connection pins - for AB transfer and AB shrouds have to be inserted into positions rP3 and rP5. At the rear card end, on positions rJ3 and rJ5, a shielded female connector, build type AB, has been specified here. On P4, a blade contact strip, build type A with long connection pins for A shroud and A shroud frames, has been specified on position rP4. For the rear card end, a shielded female connector, build type A, has been defined on rJ4. For male connectors with shrouds in build types A and B, the specification only requires a series a grounding for the upper screening panel.

All necessary connectors required in accordance with the new CompactPCI specification are available from ERNI. In addition, for CompactPCI applications, ERNI also offers an economic solution for a male connector with long terminal pins, which is populated with shield contacts on row a only. In addition to the new AB compatible male connectors for CompactPCI, ERNI also supplies shrouds. Here, all shrouds are available in four different heights (3.9 mm, 4.5 mm, 5.3 mm, and 6.1 mm) in order to adapt to the printed circuit board thickness of the backplanes.



CompactPCI Connectors acc. to PIGMG 2.0 Rev. 3.0

Ordering Informations

Male Connectors For Backplanes	Location On The PCB	Number Of Positions*	Contact Loading*	Part Number
Type A With Peg	P1	25	CB---BC	923190
Type A With Peg And Extended Terminals For Shrouding	P1 Special	25	TP---PT	923197
Type A Without Peg And With Extended Terminals	P1	25	TS---ST	923342
Type B (AB Compatible) With Extended Terminals For Shrouding	P2, P5	22	TSSSSS-	923345
Type B (AB Compatible) With Extended Terminals For Shrouding	P3	19	TSSSSST	923341
Type B (AB Compatible) With Extended Terminals For Shrouding	P3	19	TSSSSS-	923346
Type A With Extended Terminals For Shrouding	P4	25	S----ST	923347
Type A With Peg And Extended Terminals For Shrouding	P4	25	TRRRRT	064688
Type A With Peg And Extended Terminals For Shrouding	P4	25	TSSSSST	103975
Type B (AB Compatible) With Extended Terminals For Shrouding	P5 Telecom	22	-----	923339
Type B (AB Compatible) With Extended Terminals For Shrouding	P2, P5	22	TSSSSST	923340

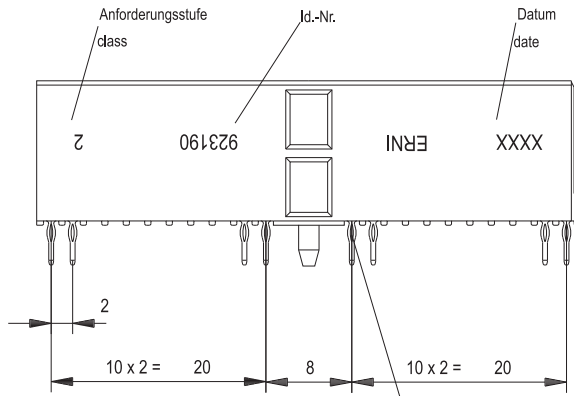
Female Connectors For Daughter Cards	Location On The PCB	Number Of Positions*	Part Number
Type A With Shield, Without Peg	J1, J4	25	354142
Type A With Split Shield, Partially Loaded	J4 Telecom	25	104512
Type A With Split Shield, Partially Loaded	rJ4 Telecom	25	104697
Type AB With Shield, Without Peg	rJ2, rJ5	22	114809
Type AB With Shield, Without Peg	rJ3	19	134075
Type B With Upper Shield	J2, J5	22	354148
Type B With Upper Shield	J3	19	354146

Shrouds For Male Connectors	Location On The PCB	Number Of Positions*	Height (mm)	Part Number
Type A Shroud 25 Positions	rP1, rP4	25	14.35	114436
Type A Shroud 25 Positions	rP1, rP4	25	14.95	054795
Type A Shroud 25 Positions	rP1, rP4	25	15.75	054794
Type A Shroud 25 Positions	rP1, rP4	25	16.55	054793
Type AB Shroud 22 Positions	rP2, rP5	22	14.95	114426
Type AB Shroud 22 Positions	rP2, rP5	22	15.75	114427
Type AB Shroud 22 Positions	rP2, rP5	22	16.55	114428
Type AB Shroud 19 Positions	rP3	19	14.35	114487
Type AB Shroud 19 Positions	rP3	19	14.95	114488
Type AB Shroud 19 Positions	rP3	19	15.75	114489
Type AB Shroud 19 Positions	rP3	19	16.55	114490

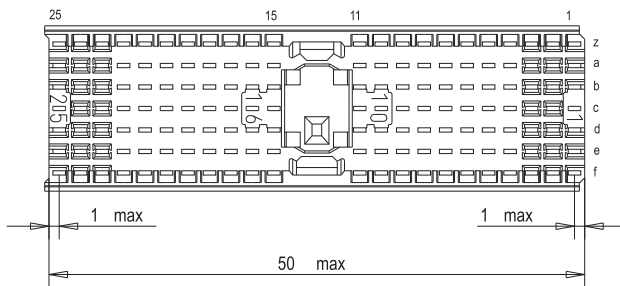
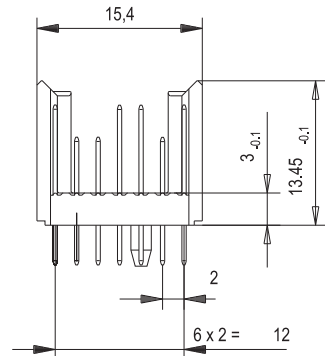
Coding Keys	Application	Code Number	Color	Part Number
Coding Keys For Male Connectors And Shrouds	5.0 Volts P1	1567	Brilliant Blue	043347
Coding Keys For Male Connectors And Shrouds	3.3 Volts P1	3456	Cadmium Yellow	043345
Coding Keys For Male Connectors And Shrouds	Telecom P4	1248	Strawberry Red	043350
Coding Keys For Female Connectors	5.0 Volts J1	2348	Brilliant Blue	043337
Coding Keys For Female Connectors	3.3 Volts P1	1278	Cadmium Yellow	043335
Coding Keys For Female Connectors	Telecom J4	3567	Strawberry Red	043340

* Length = 50mm; Pitch = 2.0mm => 50 / 2 = 25 Positions

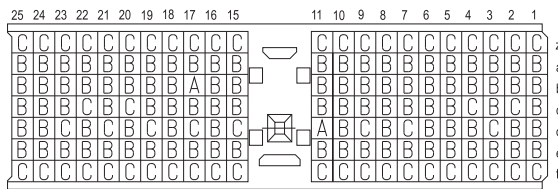
**Cross Sectional Loading From Z To F



EE Zone fuer durchkontaktierte
Loecher $\varnothing 0.6 \pm 0.05$
compliant zone for thru hole
 $\varnothing 0.6 \pm 0.05$

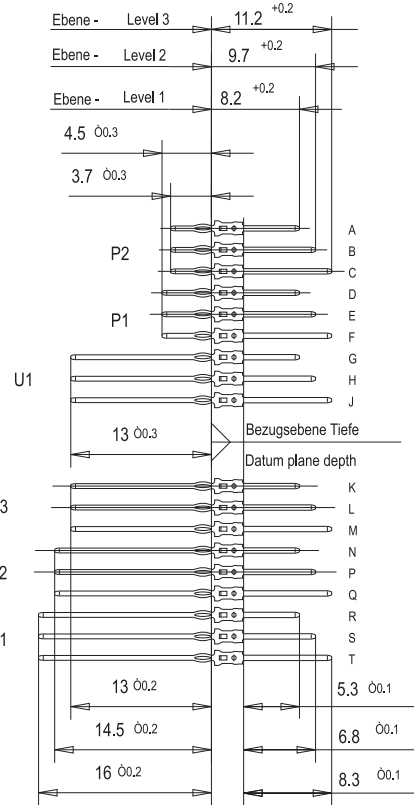
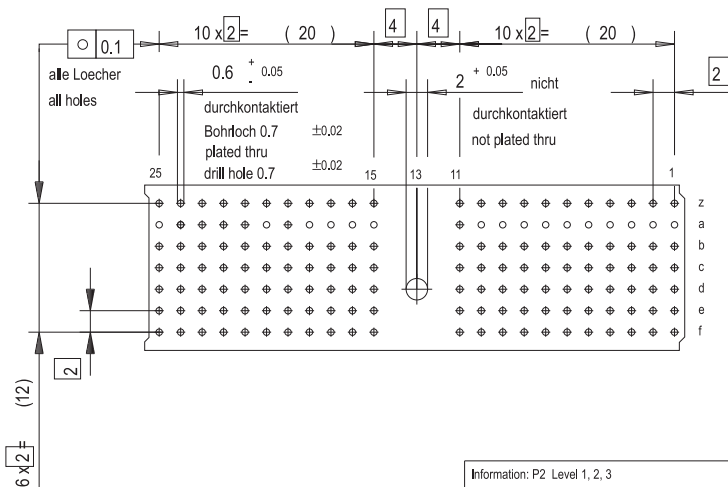


Bestueckungsplan - contact layout



Lochbild fuer Leiterplatte
(Bestueckungsseite)

Board hole pattern
(Component mounting side)



Fehlende Maße und Angaben nach IEC 61076-4-101

Missing information and dimensions per 61076-4-101

Information: P2 Level 1, 2, 3
siehe Bestueckungsplan/
see contact layout

Tolerances



All Dimensions
in mm

Scale 2:1

All rights reserved.
Only for information.
To insure that this is the latest
version of this drawing, please
contact one of the ERNI companies
before using.
Subject to modification without
prior notice.
Drawing will not be updated.

Consider protection memo from DIN 34

Designation

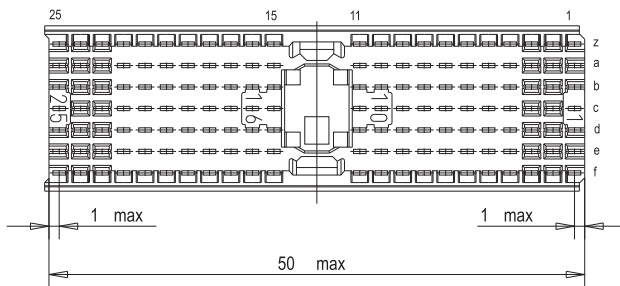
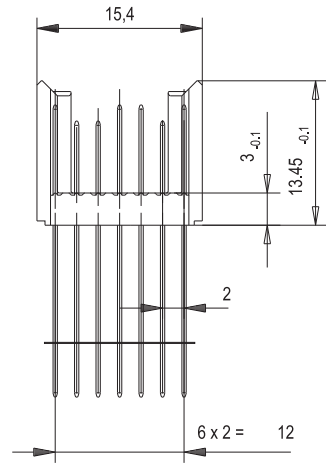
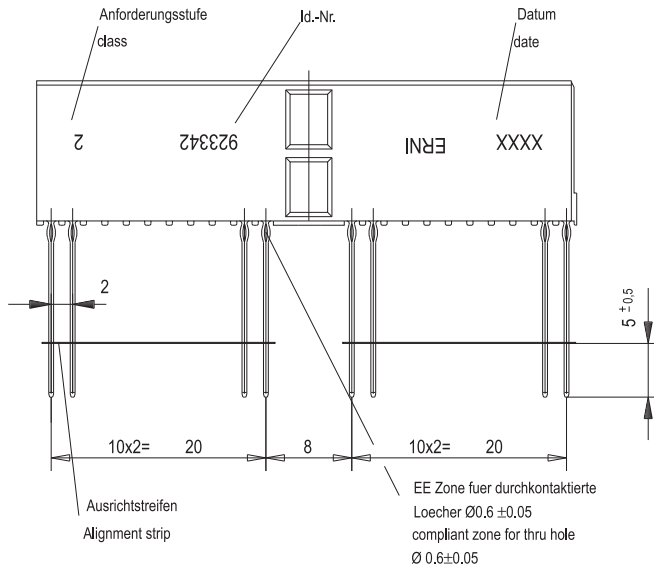
ERmet Messerleiste A
ERmet Male Wide Type A

ERNI Elektroapparate GmbH
D-73099 ADELBERG

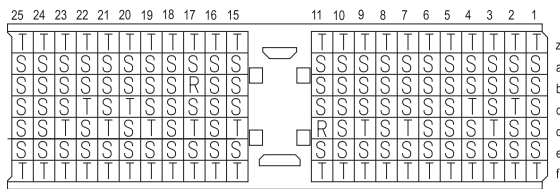
923190

I

N:00006793.ZTL

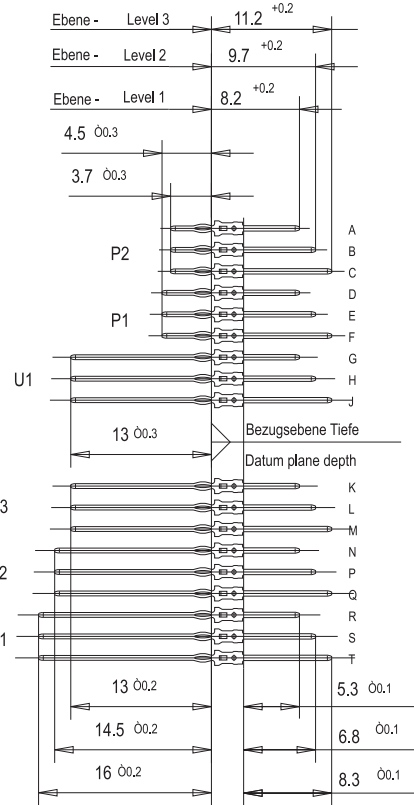
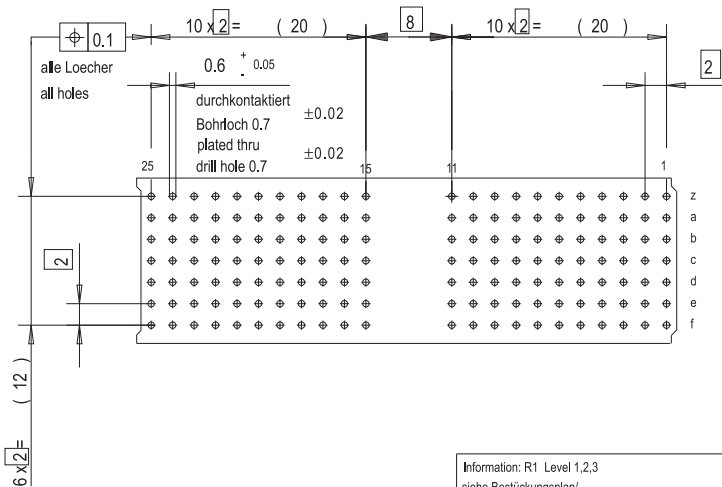


Bestueckungsplan - contact layout



Lochbild fuer Leiterplatte (Bestueckungsseite)

Board hole pattern (Component mounting side)



Information: R1 Level 1,2,3
siehe Bestueckungsplan/
see contact layout
ohne Fixierstift / without locating peg

Tolerances



All Dimensions in mm

Scale 2:1

Angaben zu entsprechender Ident-Nr. siehe Fertigungsunterlagen
For further information about I.D.number see manufacturing document

Designation

ERmet Messerleiste A
ERmet Male Wide Type A

Consider protection memo from DIN 34

All rights reserved.
Only for information.
To insure that this is the latest version of this drawing, please contact one of the ERNI companies before using.
Subject to modification without prior notice.
Drawing will not be updated.

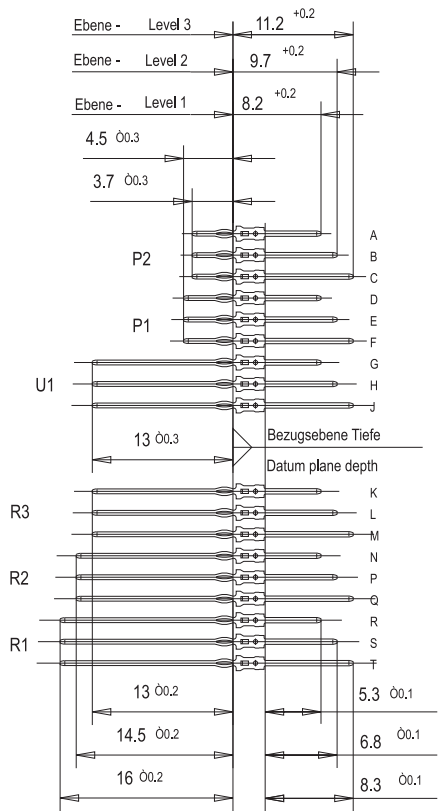
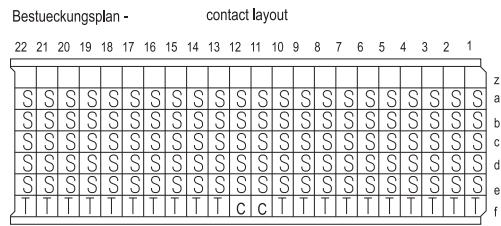
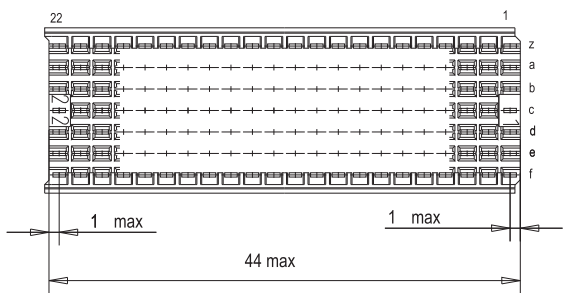
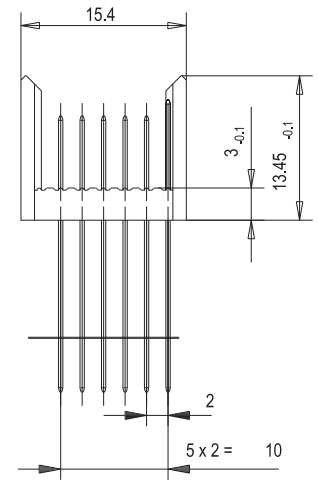
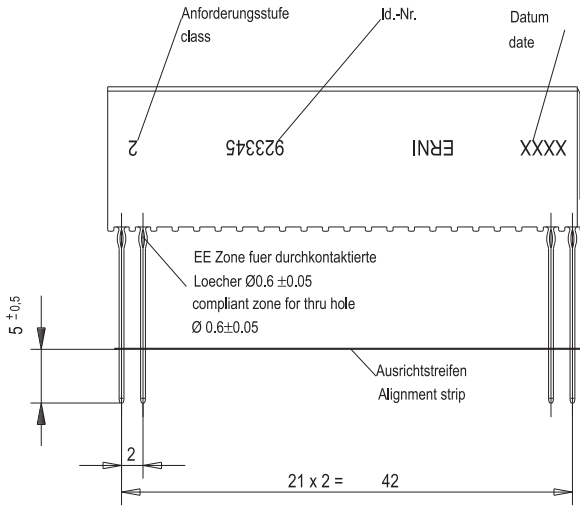


Elektroapparate GmbH
D-73099 ADELBERG

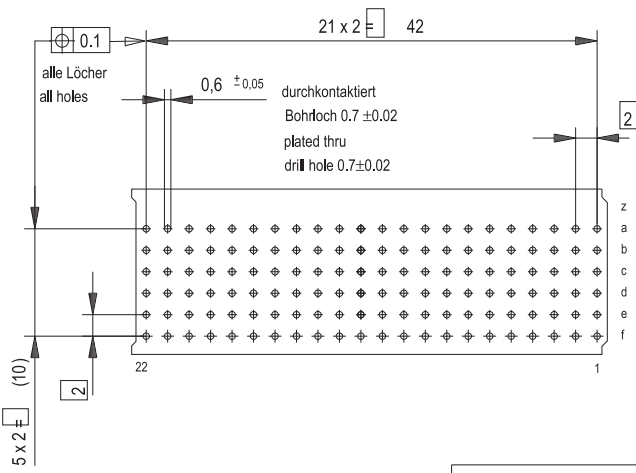
N:00007495.ZTL

923342

I

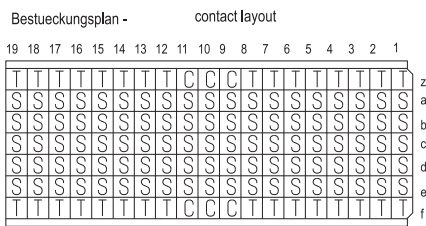
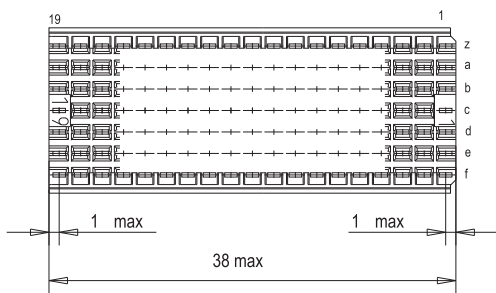
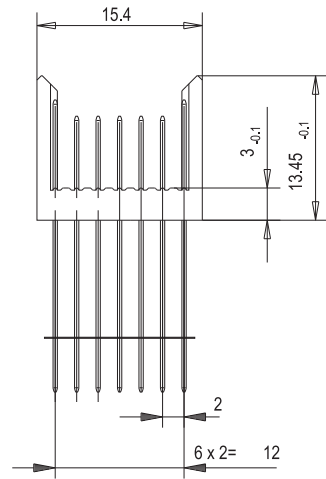
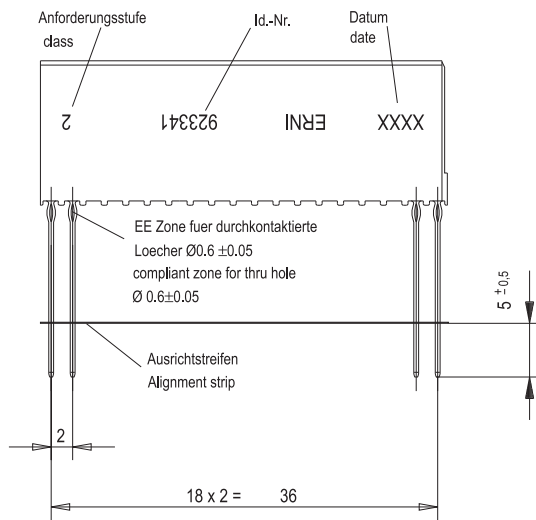


Lochbild fuer Leiterplatte (Bestueckungsseite) Board hole pattern (Component mounting side)

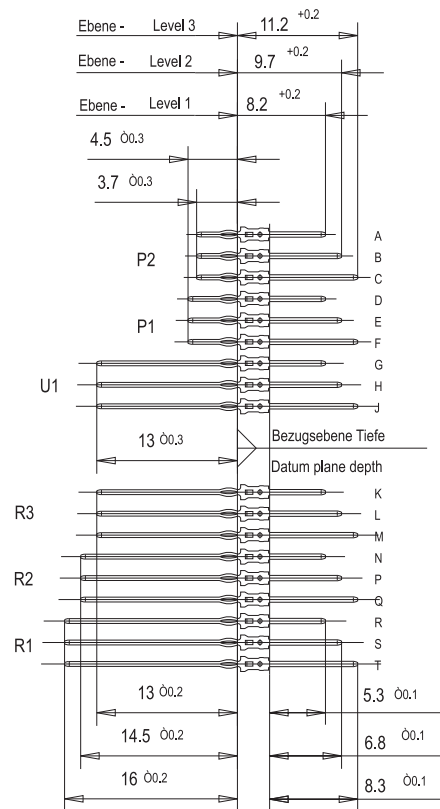
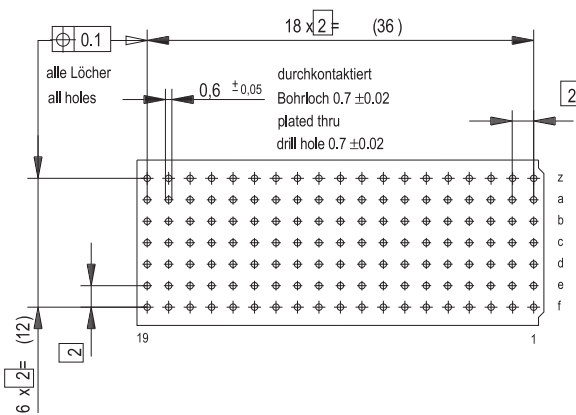


Fehlende Maße und Angaben nach IEC 61076-4-101
Missing information and dimensions per IEC 61076-4-101

Information: P2,R1 Level 2.3 siehe Bestueckungsplan / see contact layout	Tolerances All Dimensions in mm	Scale	2:1
		Designation ERmet Messerleiste B 22 ERmet Male Wide Type B 22	
All rights reserved. Only for information. To insure that this is the latest version of this drawing, please contact one of the ERNI companies before using. Subject to modification without prior notice. Drawing will not be updated.	Elektroapparate GmbH D-73099 ADELBERG N:00007497.ZTL	923345	
		I	



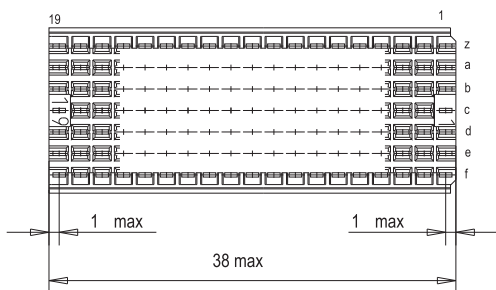
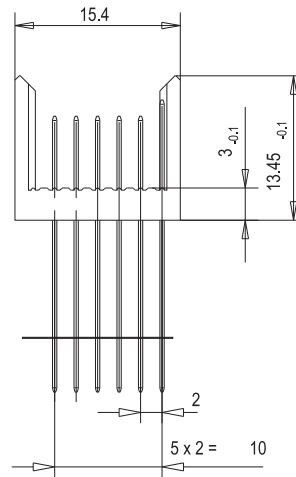
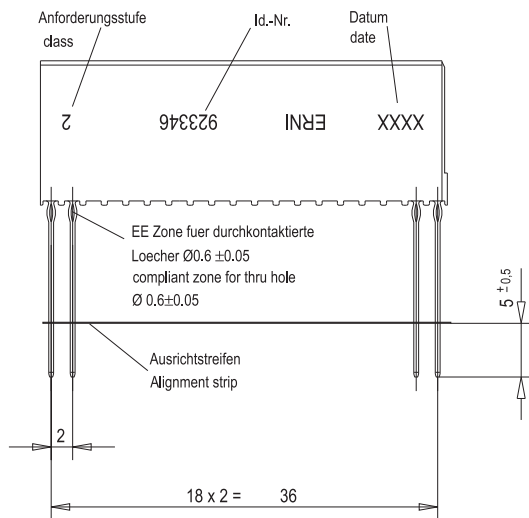
Lochbild fuer Leiterplatte (Bestueckungsseite) Board hole pattern (Component mounting side)



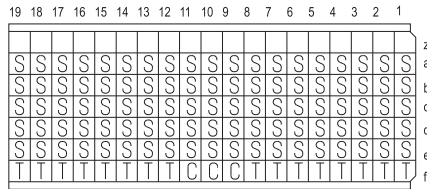
Fehlende Maße und Angaben nach IEC 61076-4-101
Missing information and dimensions per IEC 61076-4-101

Information: P2, R1 Level 2, 3 siehe Bestueckungsplan / see contact layout	Tolerances	All Dimensions in mm	Scale	2:1
			Designation ERmet Messerleiste B 19 ERmet Male Wide Type B 19	
All rights reserved. Only for information. To insure that this is the latest version of this drawing, please contact one of the ERNI companies before using. Subject to modification without prior notice. Drawing will not be updated.		Elektroapparate GmbH D-73099 ADELBERG	923341	
			I	
N:00007499.ZTL				

Consider protection memo from DIN 34

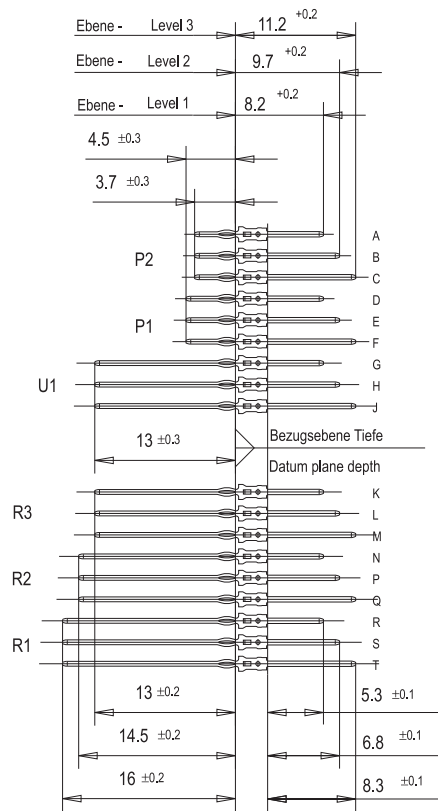
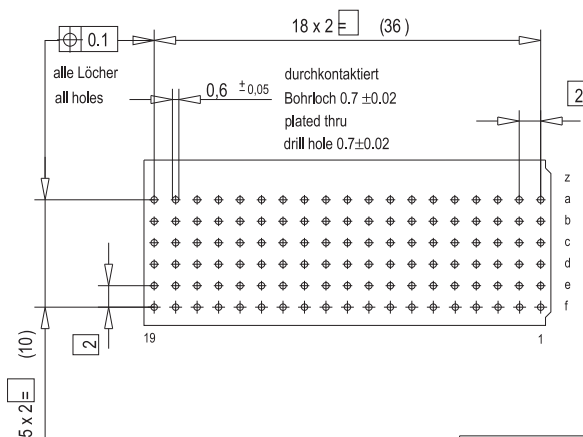


Bestueckungsplan - contact layout



Lochbild fuer Leiterplatte
 (Bestueckungsseite)

Board hole pattern
 (Component mounting side)



Fehlende Maße und Angaben nach IEC 61076-4-101

Missing information and dimensions per IEC 61076-4-101

Information: P2, R1
 Level 2, 3
 siehe Bestueckungsplan /
 see contact layout

Tolerances



Scale 2:1

All rights reserved.
 Only for information.
 To insure that this is the latest
 version of this drawing, please
 contact one of the ERNI companies
 before using.
 Subject to modification without
 prior notice.
 Drawing will not be updated.



Elektroapparate GmbH
 D-73099 ADELBERG

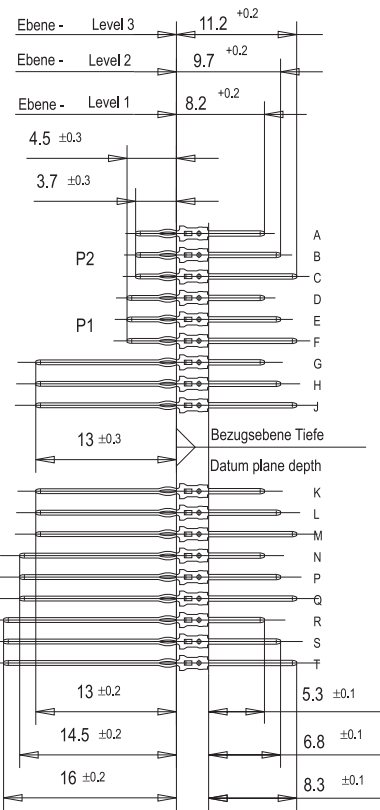
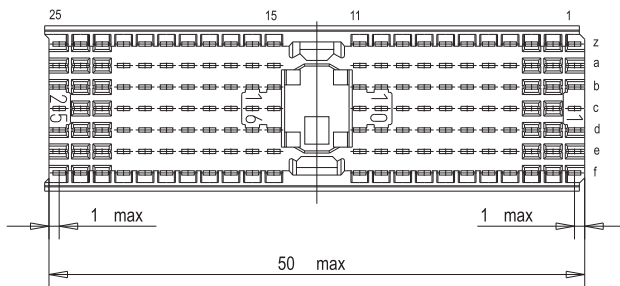
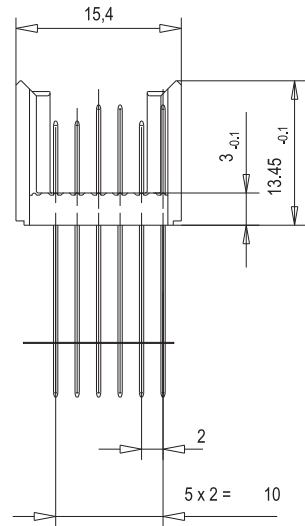
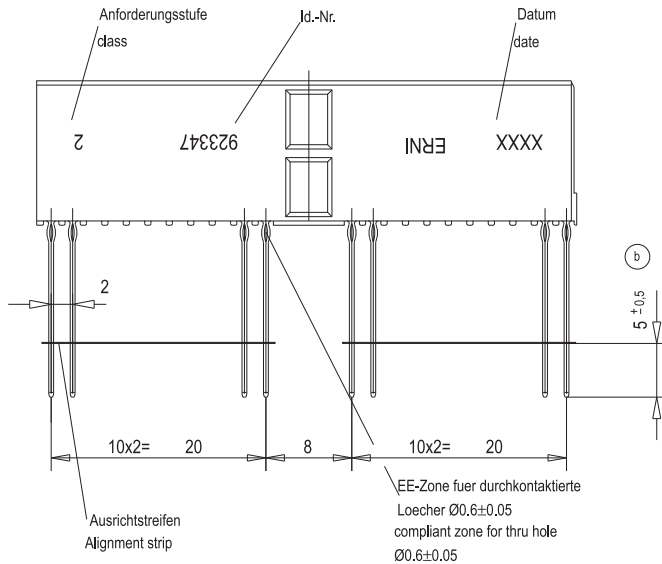
N:0007501.ZTL

Designation

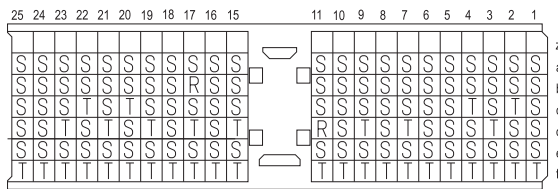
ERmet Messerleiste B 19
 ERmet Male Wide Type B 19

923346

I

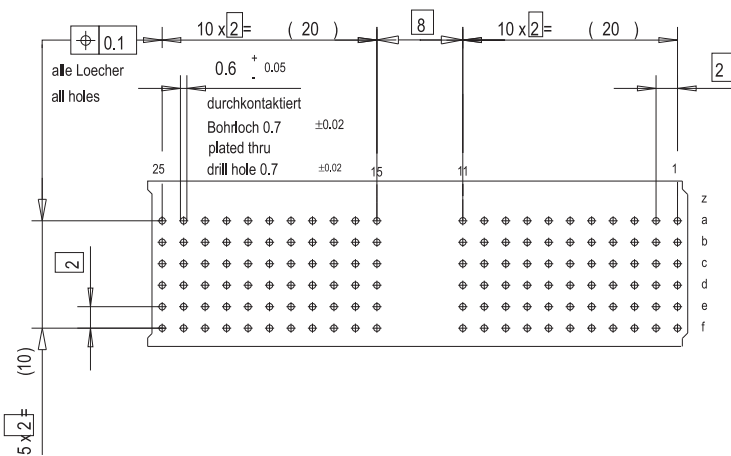


a) Bestueckungsplan - contact layout



Lochbild fuer Leiterplatte (Bestueckungsseite)

Board hole pattern (Component mounting side)



Fehlende Maße und Angaben nach IEC 61076-4-101

Missing information and dimensions per 61076-4-101

Information: R1 Level 1,2,3
siehe Bestueckungsplan/
see contact layout
ohne Fixierstift / without locating peg

Consider protection memo from DIN 34

All rights reserved.
Only for information.
To insure that this is the latest
version of this drawing, please
contact one of the ERNI companies
before using.
Subject to modification without
prior notice.
Drawing will not be updated.

Tolerances



All Dimensions
in mm

Scale 2:1

Designation

ERmet Messerleiste A
ERmet Male Wide Type A

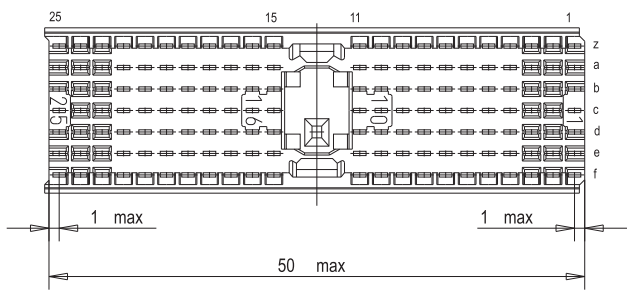
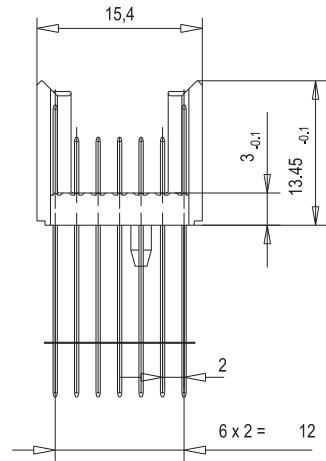
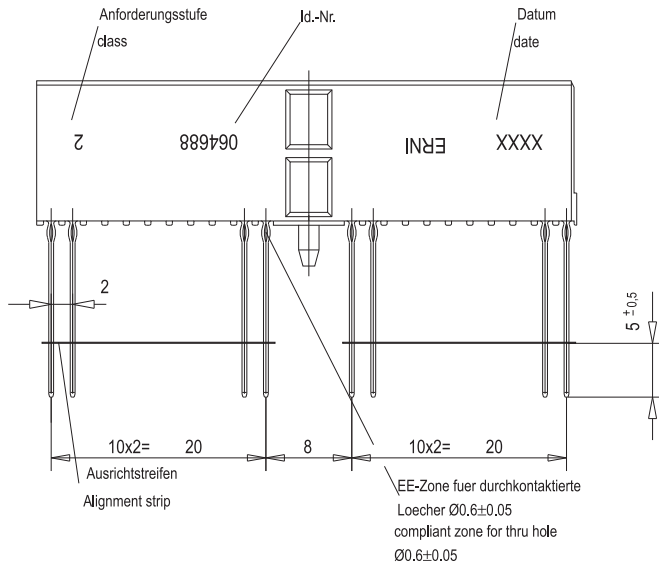


Elektroapparate GmbH
D-73099 ADELBERG

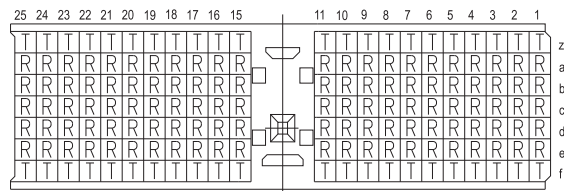
923347

I

N:00007496.ZTL

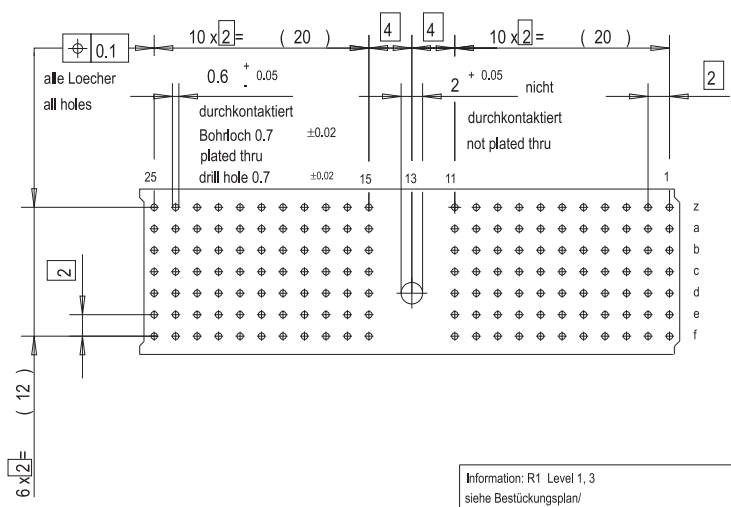
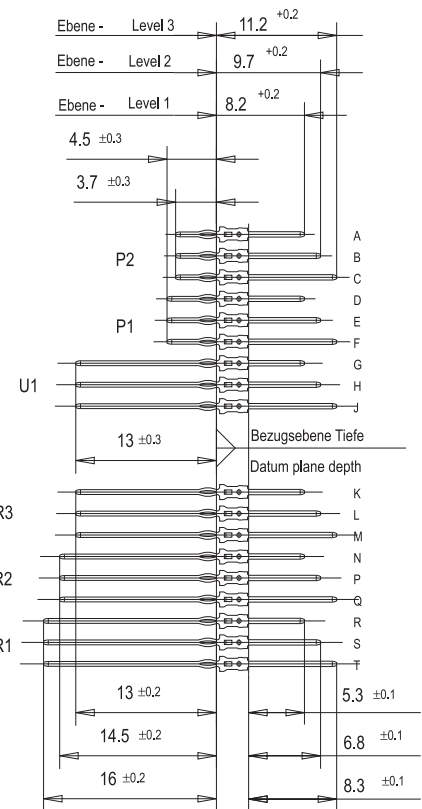


Bestueckungsplan - contact layout



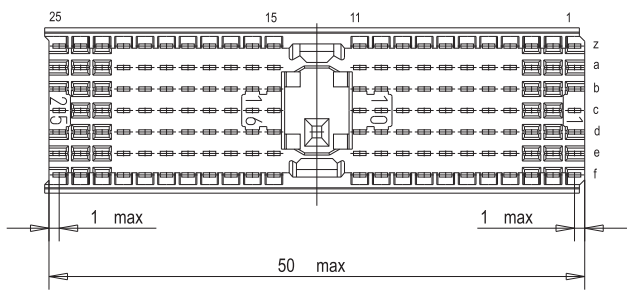
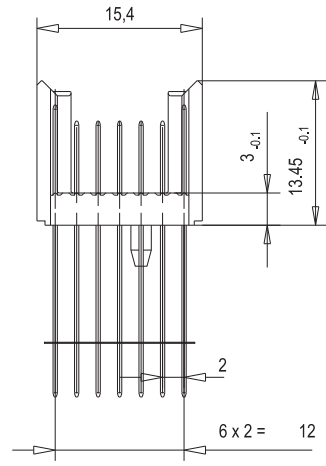
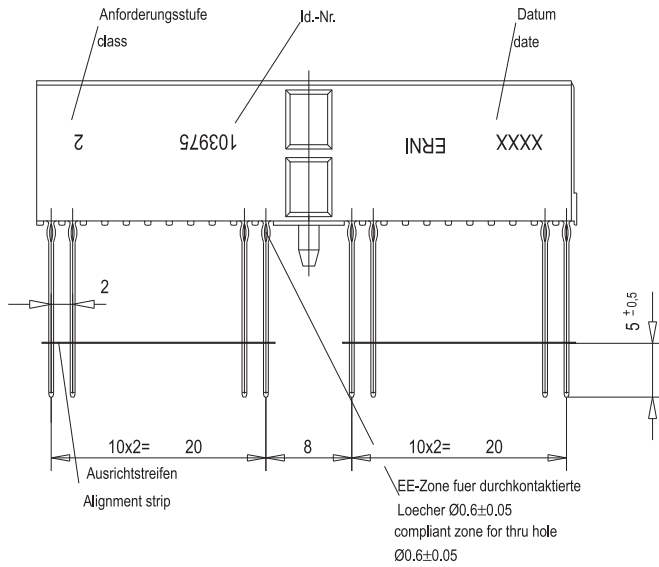
Lochbild fuer Leiterplatte (Bestueckungsseite)

Board hole pattern (Component mounting side)

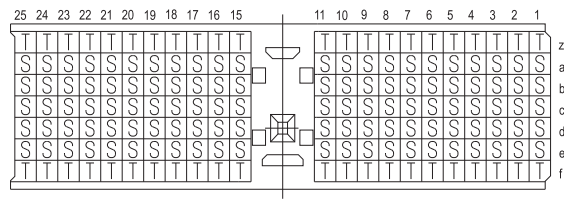


Fehlende Maße und Angaben nach IEC 61076-4-101
Missing information and dimensions per 61076-4-101

Information: R1 Level 1,3 siehe Bestückungsplan/ see contact layout All rights reserved. Only for information. To insure that this is the latest version of this drawing, please contact one of the ERNI companies before using. Subject to modification without prior notice. Drawing will not be updated. <small>Consider protection memo from DIN 34</small>	Tolerances All Dimensions in mm	Scale 2:1	Designation ERmet Messerleiste A ERmet Male Wide Type A
		Elektroapparate GmbH D-73099 ADELBERG N:00006820.ZTL	

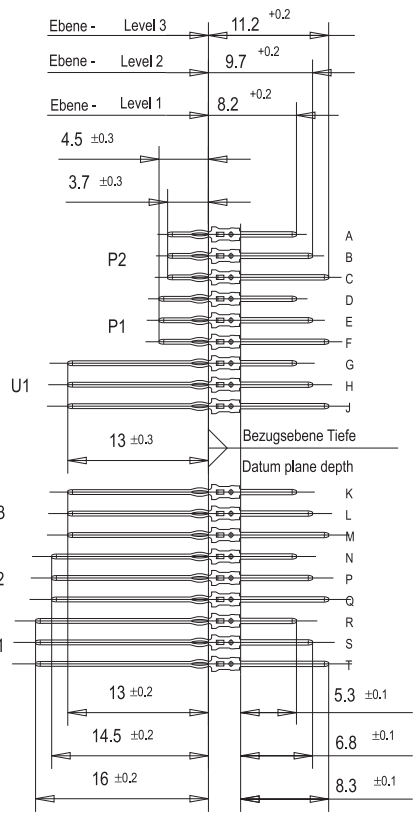
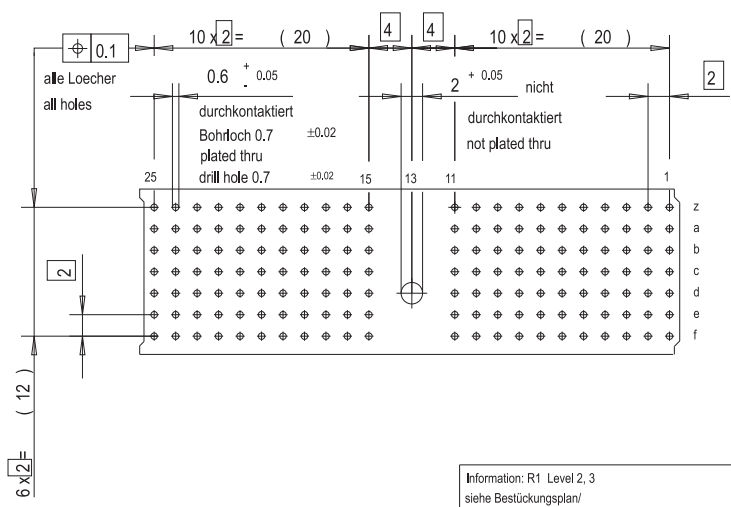


Bestueckungsplan - contact layout



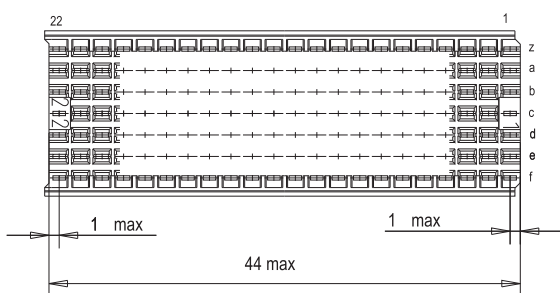
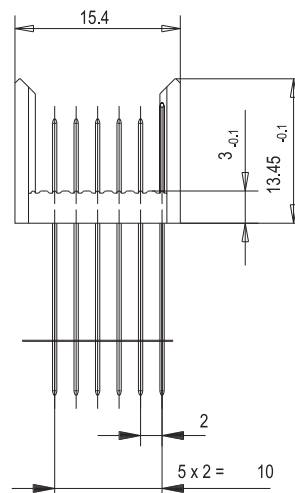
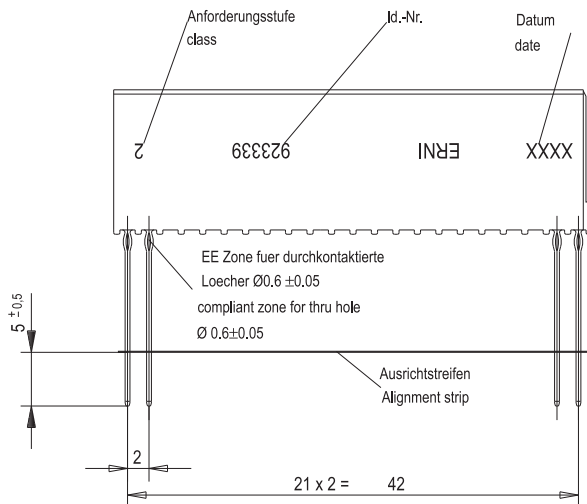
Lochbild fuer Leiterplatte (Bestueckungsseite)

Board hole pattern (Component mounting side)

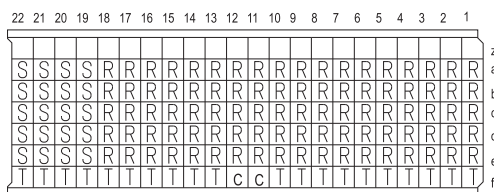


Fehlende Maße und Angaben nach IEC 61076-4-101
Missing information and dimensions per 61076-4-101

Information: R1 Level 2, 3 siehe Bestueckungsplan/ see contact layout	Tolerances	 All Dimensions in mm	Scale	2:1
	All rights reserved. Only for information. To insure that this is the latest version of this drawing, please contact one of the ERNI companies before using. Subject to modification without prior notice. Drawing will not be updated.		Designation	
Elektroapparate GmbH D-73099 ADELBERG N:000751.ZTL	ERmet Messerleiste A ERmet Male Wide Type A			
	103975			I

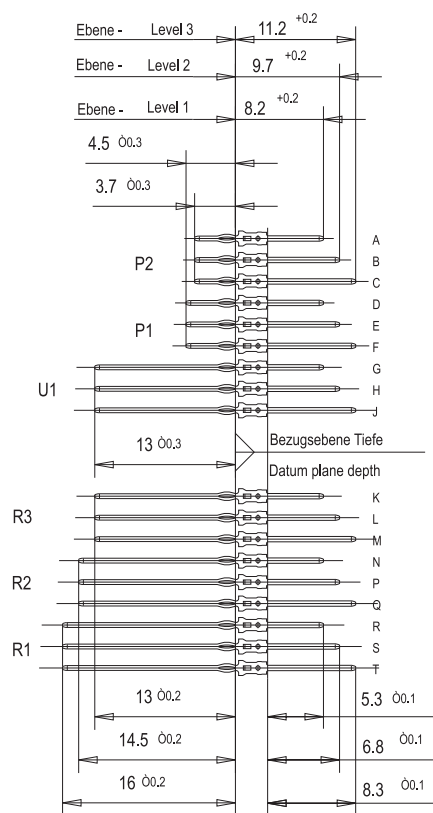
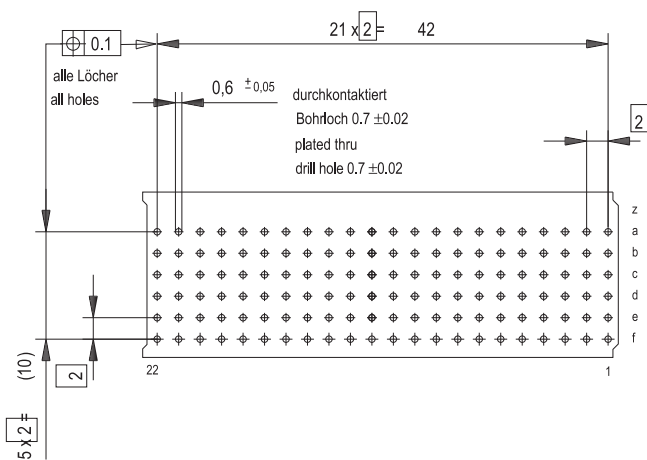


Bestueckungsplan - contact layout



Lochbild fuer Leiterplatte (Bestueckungsseite)

Board hole pattern (Component mounting side)



Fehlende Maße und Angaben nach IEC 61076-4-101

Missing information and dimensions per IEC 61076-4-101

Information: P2,R1
Level 1, 2, 3
siehe Bestueckungsplan /
see contact layout

Tolerances



Scale 2:1

All rights reserved.
Only for information.
To insure that this is the latest
version of this drawing, please
contact one of the ERNI companies
before using.
Subject to modification without
prior notice.
Drawing will not be updated.



Elektroapparate GmbH
D-73099 ADELBERG

N:00007502.ZTL

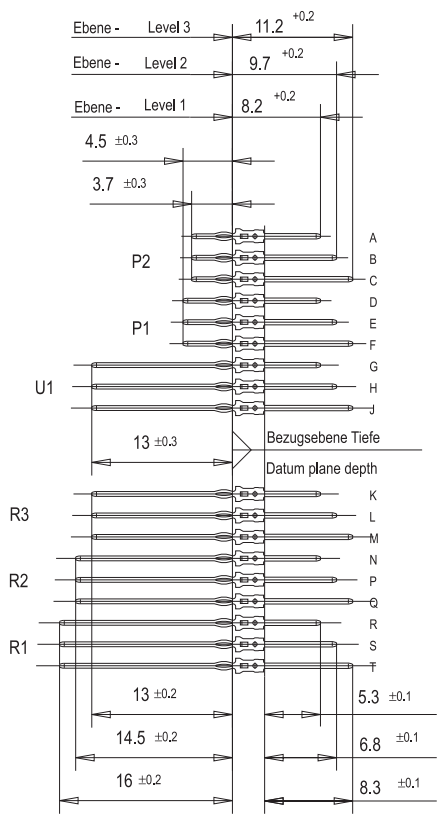
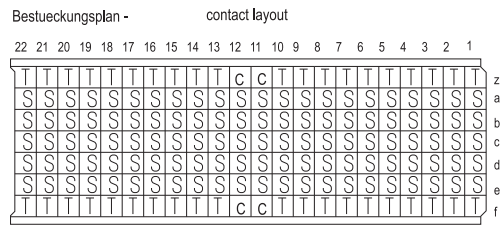
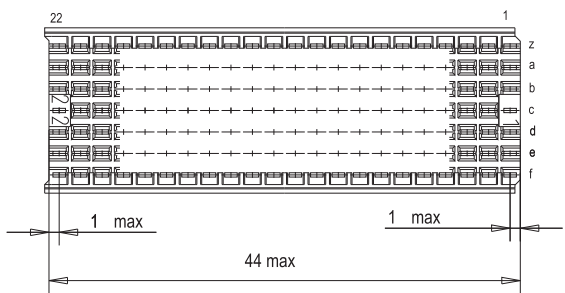
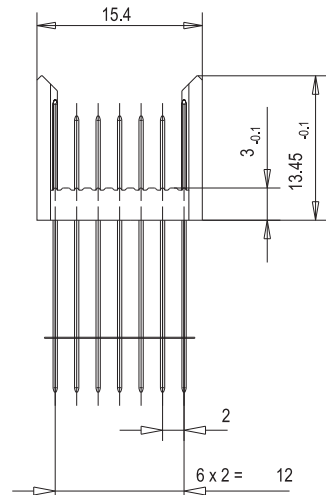
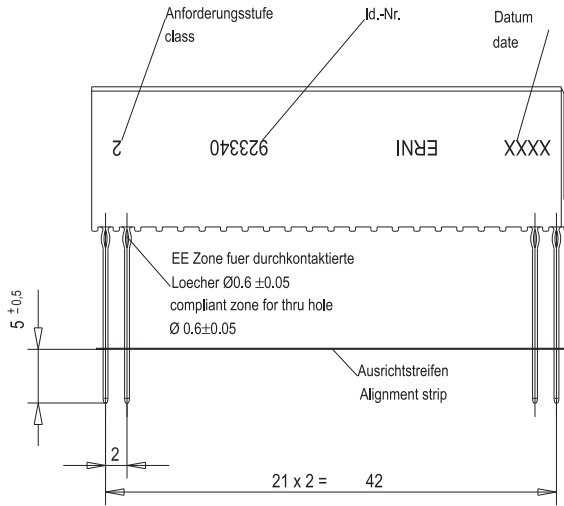
Designation

ERmet Messerleiste B 22

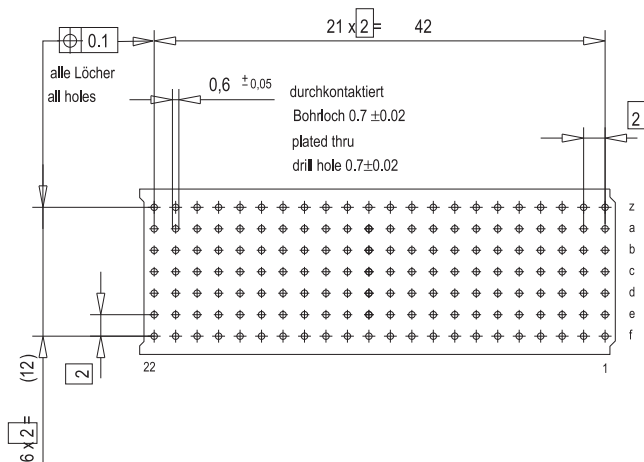
ERmet Male Wide Type B 22

923339

I



Lochbild fuer Leiterplatte (Bestueckungsseite) Board hole pattern (Component mounting side)

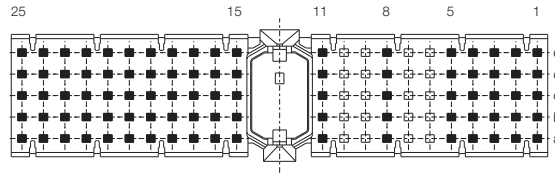


Fehlende Maße und Angaben nach IEC 61076-4-101
Missing information and dimensions per IEC 61076-4-101

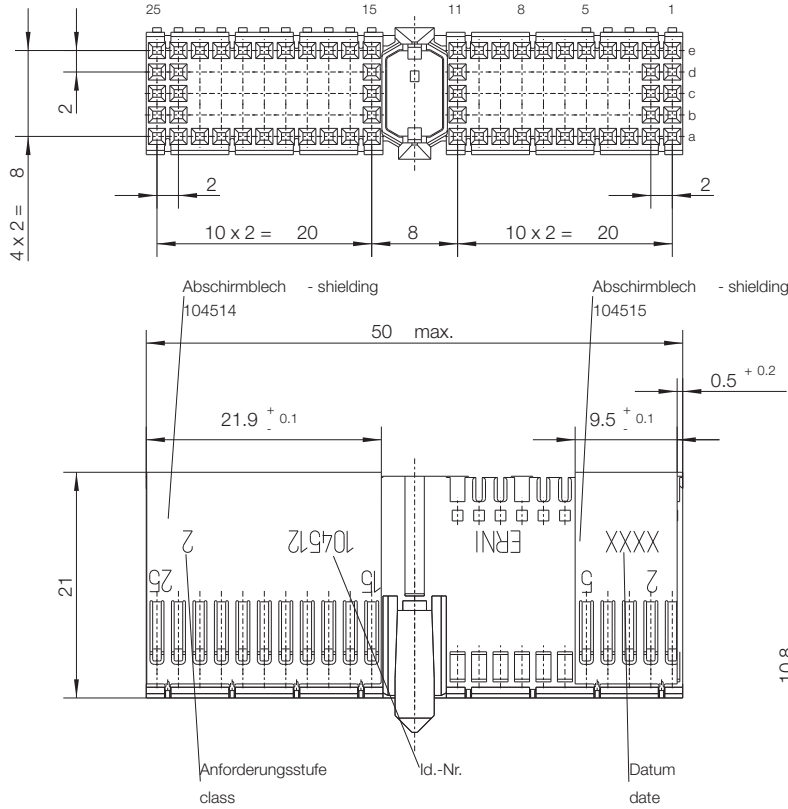
Information: P2,R1 Level 2.3 siehe Bestueckungsplan / see contact layout	Tolerances All Dimensions in mm	Scale	2:1
		Designation ERmet Messerleiste B 22 ERmet Male Wide Type B 22	
All rights reserved. Only for information. To insure that this is the latest version of this drawing, please contact one of the ERNI companies before using. Subject to modification without prior notice. Drawing will not be updated.	Elektroapparate GmbH D-73099 ADELBERG N:00007504.ZTL	923340	
		I	

Consider protection memo from DIN 34

Bestueckungsplan - contact layout



■ = bestueckt - assemble

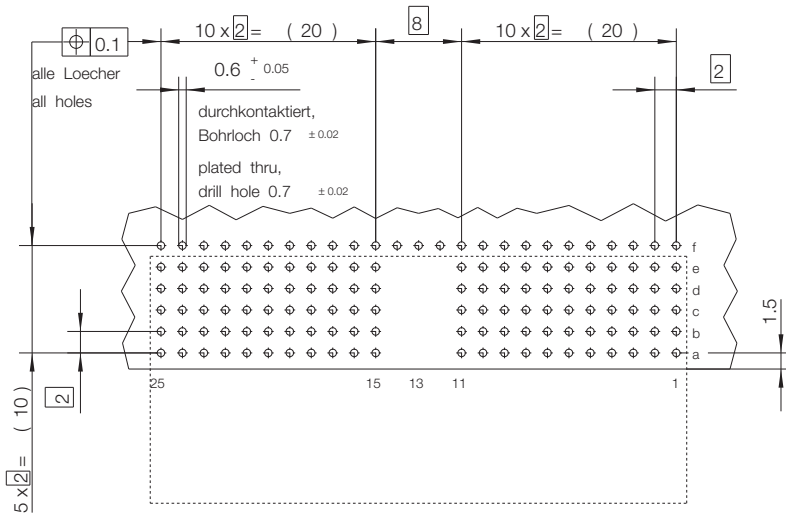


EE - Zone fuer durchkontaktierte
Loecher $\varnothing 0.6 \pm 0.05$

Compliant zone for thru hole
 $\varnothing 0.6 \pm 0.05$

Lochbild fuer Leiterplatte
(Bestueckungsseite)

Board hole pattern
(Component mounting side)

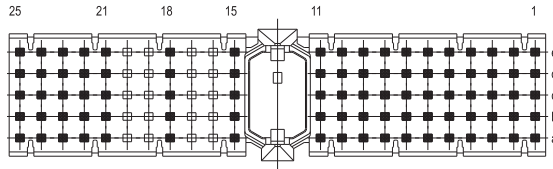


Fehlende Masse und Angaben nach IEC 61076 - 4 - 101

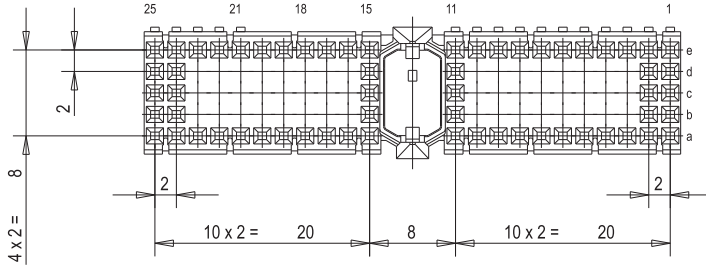
Missing information and dimensions per IEC 61076 - 4 - 10

<p>Information :</p> <p>Abschirmblech oben montiert shielding mounted on top ohne Fixierstift - without locating pegs</p> <p>All rights reserved. Only for information. To insure that this is the latest version of this drawing, please contact one of the ERNI companies before using. Subject to modification without prior notice. Drawing will not be updated.</p> <p style="writing-mode: vertical-rl; transform: rotate(180deg);">Consider protection memo from DIN 34</p>	<p>Tolerances</p> <p> ALL Dimensions in mm</p>	<p>Scale 2:1</p> <p> Material</p>	<p>Designation</p> <p>ERmet Federleiste A ERmet Female Type A</p> <p>104512</p>
		<p>ERNI Elektroapparate GmbH D-73099 ADELBERG</p>	

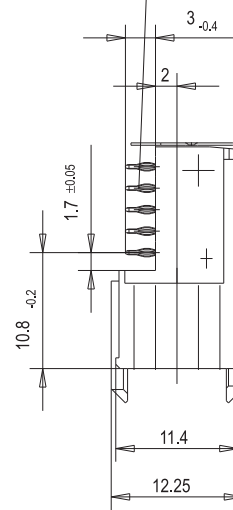
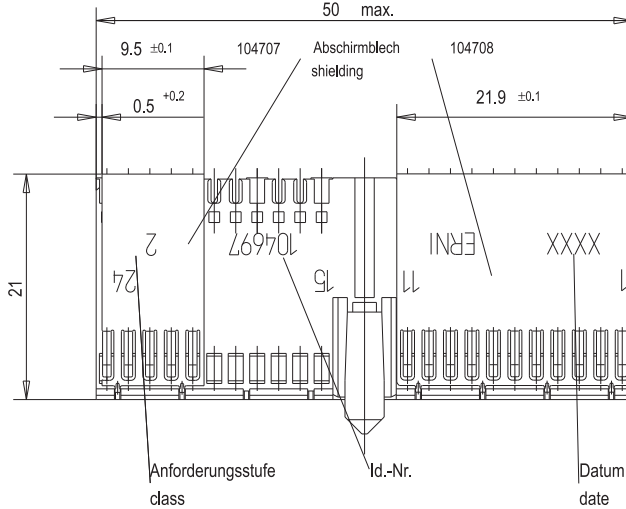
Bestückungsplan - contact layout



■ = bestückt - assemble

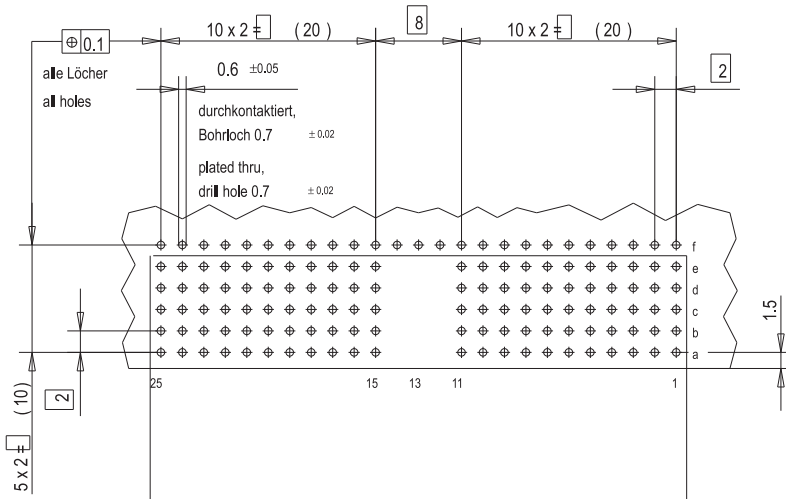


EE-Zone für durchkontaktierte Löcher Ø 0.6 ± 0.05
Compliant zone for thru hole Ø 0.6 ± 0.05



Lochbild für Leiterplatte (Bestückungsseite)

Board hole pattern (Component mounting side)

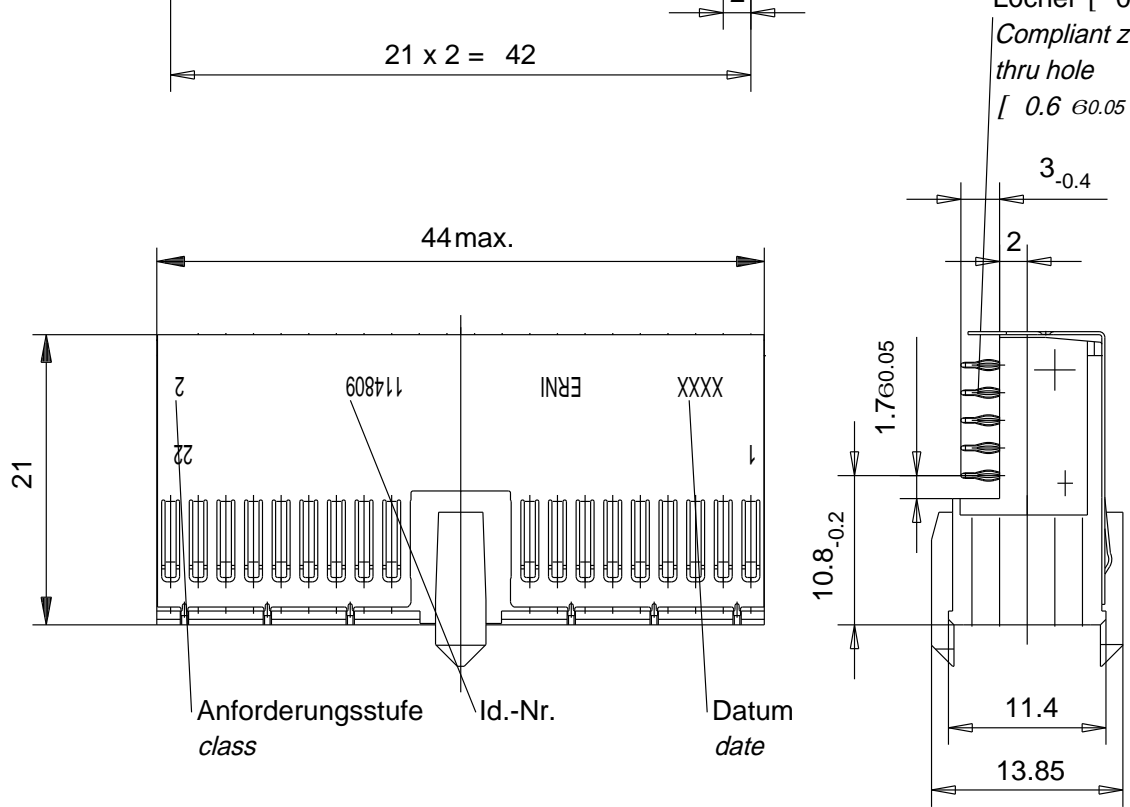


Fehlende Masse und Angaben nach IEC 61076-4-101
Missing information and dimensions per IEC 61076-4-101

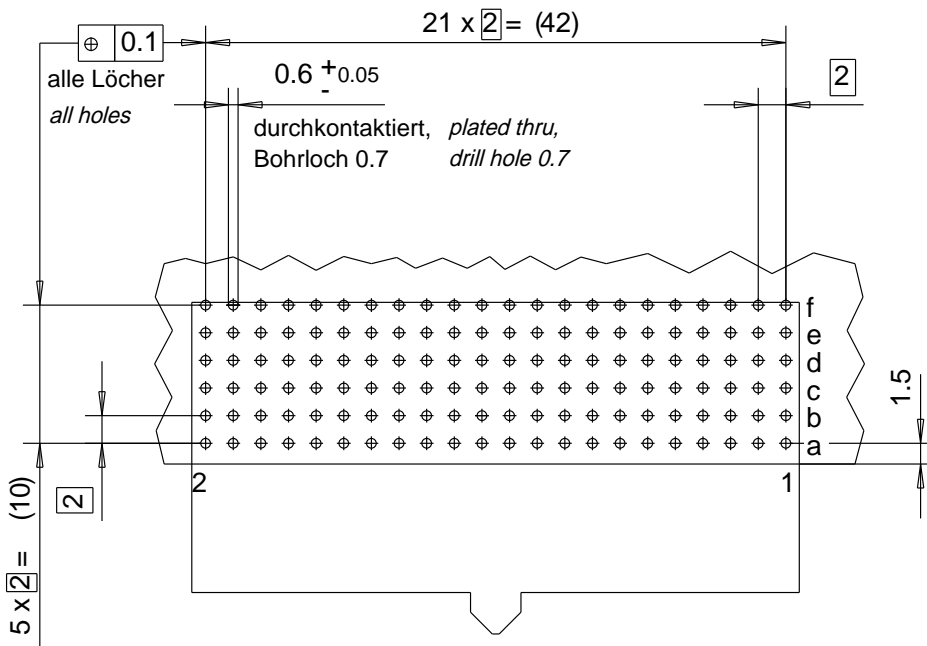
<p>Information : Abschirmblech oben montiert shielding mounted on top ohne Fixierstift - without locating pegs</p>	<p>Tolerances</p> <p>All Dimensions in mm</p>	Scale	2:1
		<p>Designation</p> <p>ERmet Federleiste A ERmet Female Type A</p>	
<p>All rights reserved. Only for information. To insure that this is the latest version of this drawing, please contact one of the ERNI companies before using. Subject to modification without prior notice. Drawing will not be updated.</p>	<p>Elektroapparate GmbH D-73099 ADELBERG</p>	<p>104697</p>	
		<p>N:00007600.ZTL</p>	

Consider protection memo from DIN 34

4 x 2 =



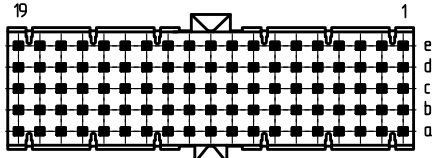
Lochbild für Leiterplatte Board hole pattern
(Bestückungsseite) (Component mounting side)



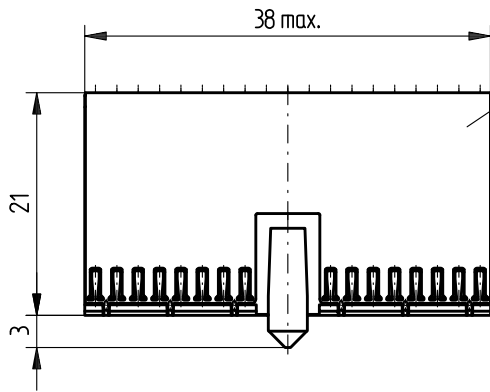
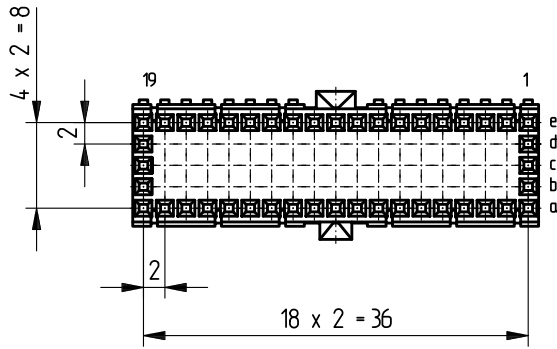
Fehlende Masse und Angaben nach IEC 61076-4-101
Missing information and dimensions per IEC 61076-4-101

Information : Abschirmblech oben shielding mounted on top	Toleranc		Scal 2:1	
All rights Only for To insure that this is the version of this drawing, contact one of the ERNI before Subject to modification prior Drawing will not be		Elektroapparate D-73099	Designation ERmet Federleiste AB 22 ERmet Female Type AB 22	
			114809	I

Bestückungsplan - *contact layout*

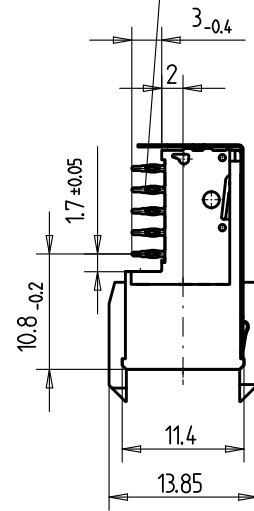


■ = bestückt - *assemble*



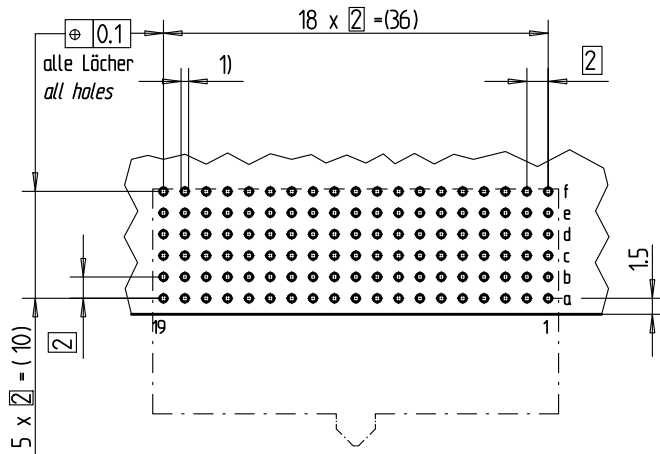
Abschirmblech 124966
shielding

EE-Zone für durchkontaktierte Löcher $\varnothing 0.6 \pm 0.05$
Compliant zone for thru hole $\varnothing 0.6 \pm 0.05$



Lochbild für Leiterplatte
(Bestückungsseite)

*Board hole pattern
(Component mounting side)*





- 1) $\varnothing 0.6 \pm 0.05$ Durchmesser des metallisierten Loches
 $\varnothing 0.6 \pm 0.05$ Diameter of finished plated-through hole
- $\varnothing 0.7 \pm 0.02$ Bohrungsdurchmesser des Loches
 $\varnothing 0.7 \pm 0.02$ Diameter of drilled hole

Schichtaufbau im metallisierten Loch
siehe Zeichnung 114406

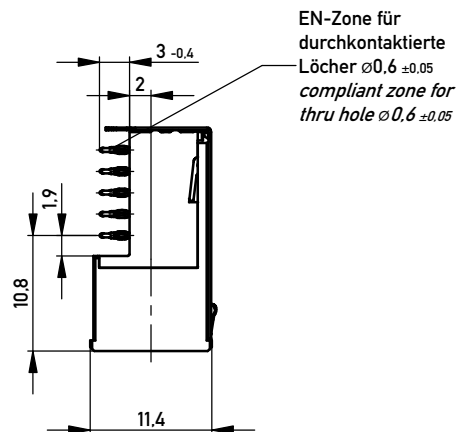
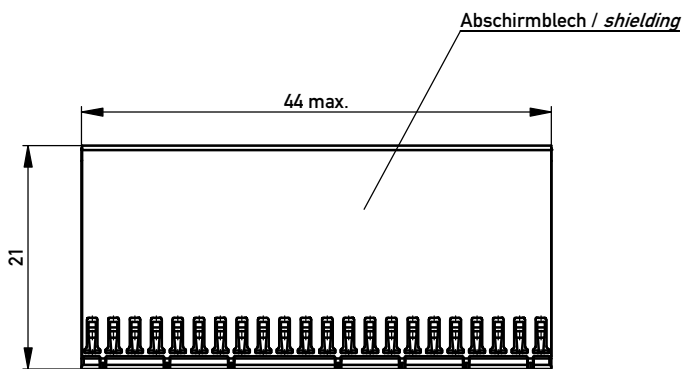
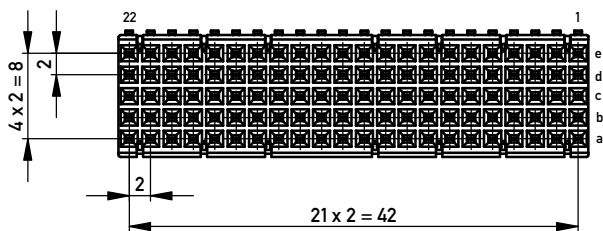
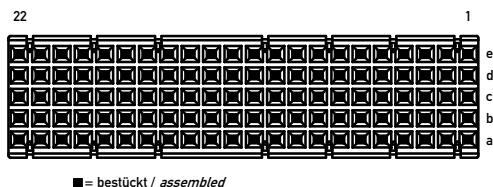
*Metal plating of plated-through hole
see drawing 114406*

Fehlende Masse und Angaben nach IEC 61076-4-101
Missing information and dimensions per IEC 61076-4-101

Bedruckung siehe Zeichnung 401194
Marking see drawing 401194

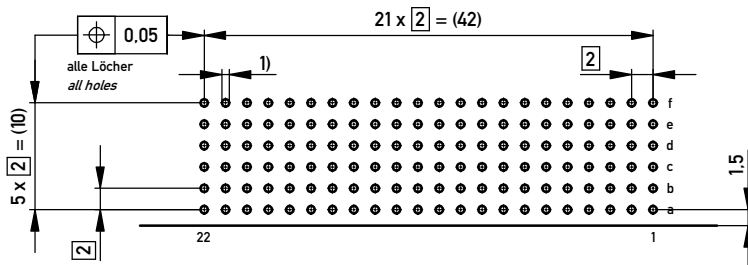
Consider protection memo from DIN 34	Information: Abschirmblech oben montiert <i>shielding mounted on top</i>	Tolerances  All Dimensions in mm	Scale 2:1
	All rights reserved. Only for information. To insure that this is the latest version of this drawing, please contact one of the ERNI companies before using.	Subject to modification without prior notice. Drawing will not be updated.	Designation ERmet Federleiste AB 19 <i>ERmet Female Type AB 19</i>
c	20.02.2008	 www.ERNI.com	134075
Index	Date	V:00064953.SZA	ERMAB19

Bestückungsplan / contact layout



Lochbild für Leiterplatte
(Bestückungsseite)

Board hole pattern
(Component mounting side)



1) $\varnothing 0.6 \pm 0.05$ Durchmesser des metallisierten Loches
 $\varnothing 0.6 \pm 0.05$ Diameter of finished plated-through hole

$\varnothing 0.7 \pm 0.05$ Bohrungsdurchmesser des Loches
 $\varnothing 0.7 \pm 0.05$ Diameter of drilled hole

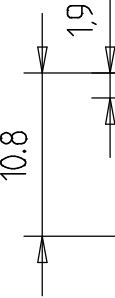
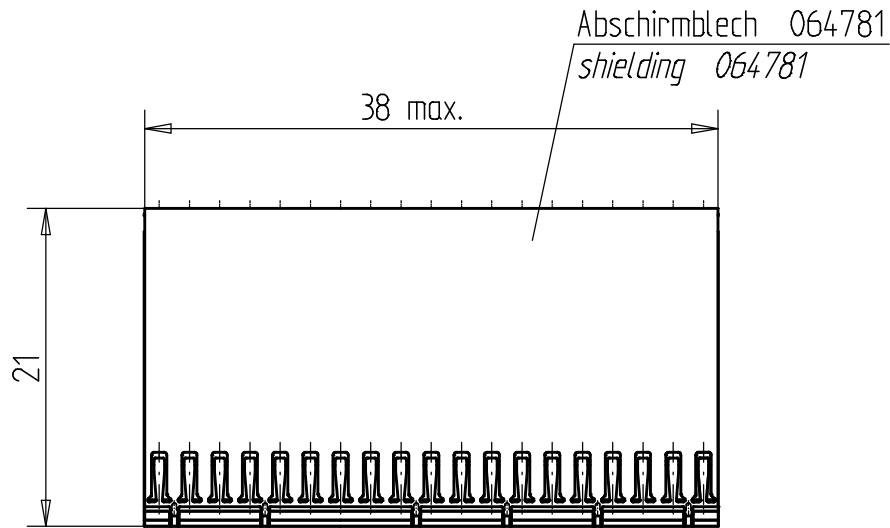
Schichtaufbau im metallisierten Loch
siehe Zeichnung 114406
Metal plating of plated through hole
see drawing 114406

Fehlende Maße und Angaben nach IEC 61076-4-101
Missing information and dimensions per IEC 61076-4-101

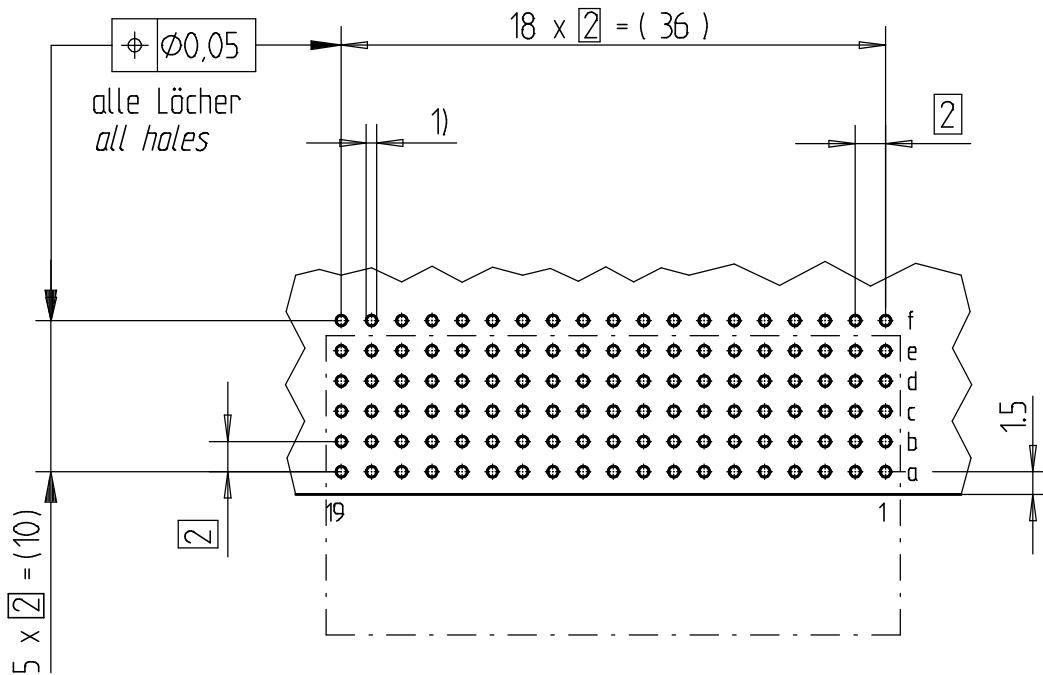
Abschirmblech oben montiert
shielding mounted on top
Anforderungsstufe 2 / class 2
BA2

Information:		Tolerances	Scale 2:1	
All rights reserved. Only for Information. To ensure that this is the latest version of this drawing, please contact one of the ERNI companies before using.		All Dimensions in mm	Designation	
Subject to modification without prior notice. Drawing will not be updated.		ERmet Federleiste B22 ERmet Female Type B22		
ERNI www.ERNI.com		354148		I
b	25.06.2012	Class ERMB22		A3
Index	Date			

Copyright by ERNI GmbH
Proprietary notice pursuant to ISO 16016 to be observed



Lochbild für Leiterplatte *Board hole pattern*
(Bestückungsseite) *(Component mounting side)*



- 1) $\varnothing 0.6 \pm 0.05$ Dur
- $\varnothing 0.6 \pm 0.05$ Dia
- $\varnothing 0.7 \pm 0.02$ Boh
- $\varnothing 0.7 \pm 0.02$ Dia

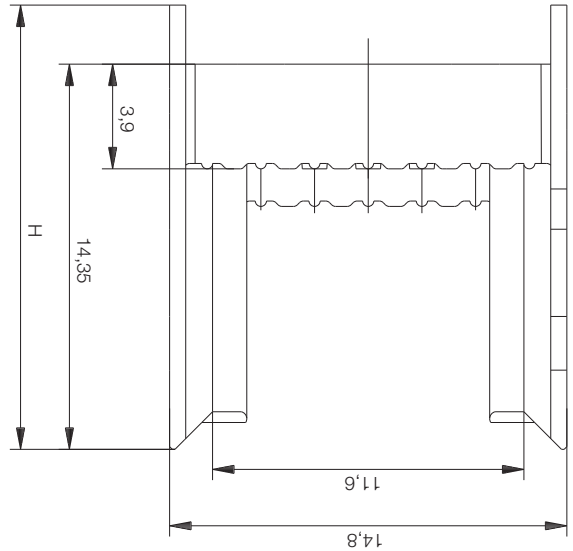
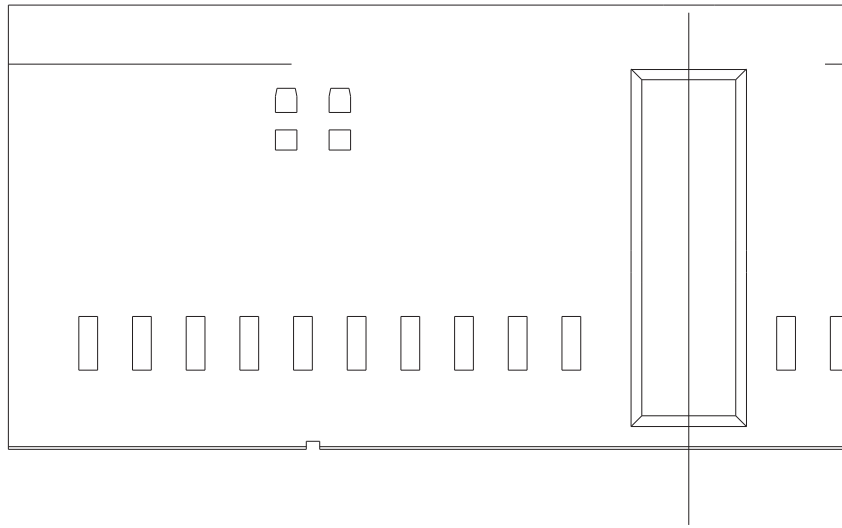
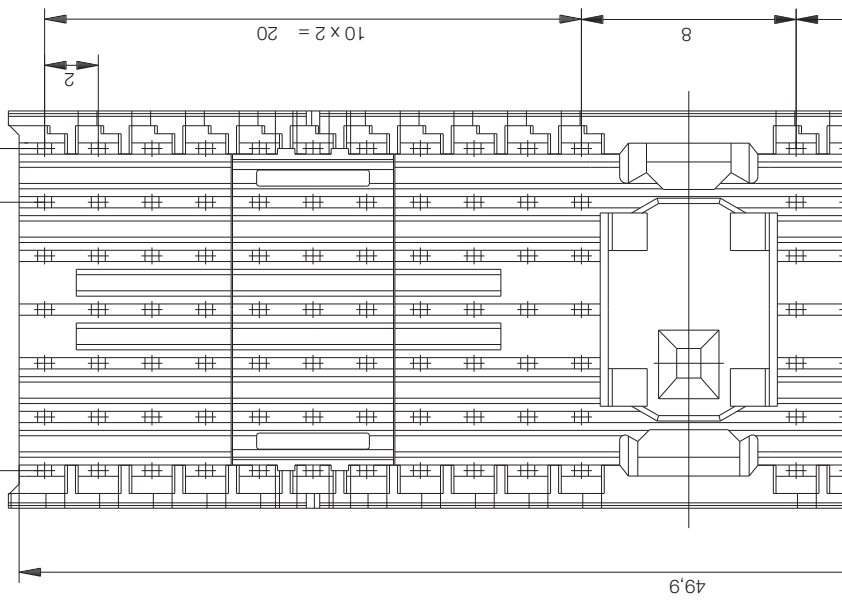
Schichtaufbau
siehe Zeichnung
Metal plating
see drawing

Fehlende Masse und Angaben nach IEC 61076-4-101
Missing information and dimensions per IEC 61076-4-101

Consider protection memo from DIN 34	Information: Abschirmblech oben montiert / shielding mounted on top BA 2		Tolerances		Sc
	All rights reserved. Only for information. To insure that this is the latest version of this drawing, please contact one of the ERNI companies before using.		Subject to modification without prior notice. Drawing will not be updated.		De
b		02.06.2010			www.ERNI.com
Index		Date			

Dimension Nr.		Tolerances		All Dimensions in mm		Material		Scale		Tool-Nr.:	
All rights reserved.		Name		Date		Designation		5:1		siehe Einzelteile	
Only for information.		Name		Date		ERmet A Übergaber. m. Klemmst		ERmet A Shroud with clamp part		054792	
To insure that this is the latest version of this drawing, please contact one of the ERNI companies before using.		Name		Date		ERmet A Shroud with clamp part		054792		D	
Subject to modification without prior notice.		Name		Date		ERmet A Shroud with clamp part		054792		D	
Drawing will not be updated.		Name		Date		ERmet A Shroud with clamp part		054792		D	
Index		Modification Nr.		Date		O-00010255.SZN		Class		D	

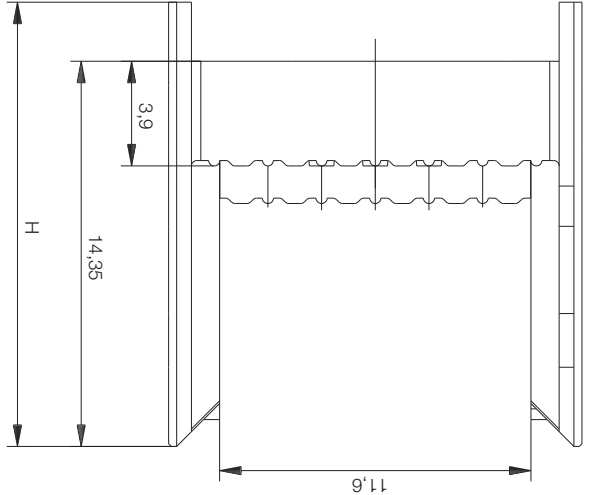
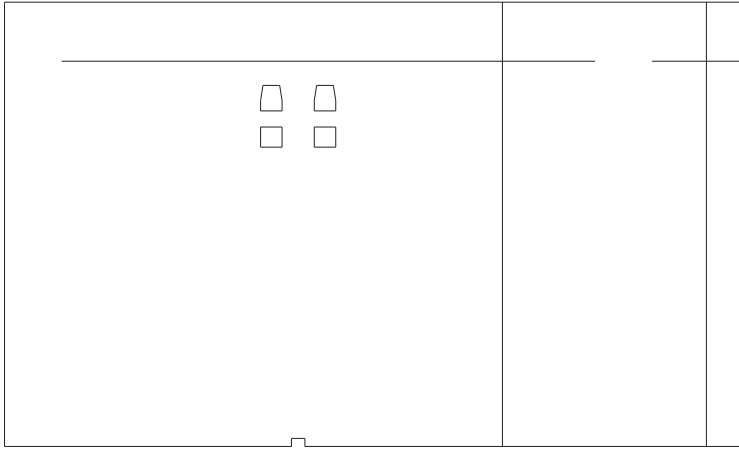
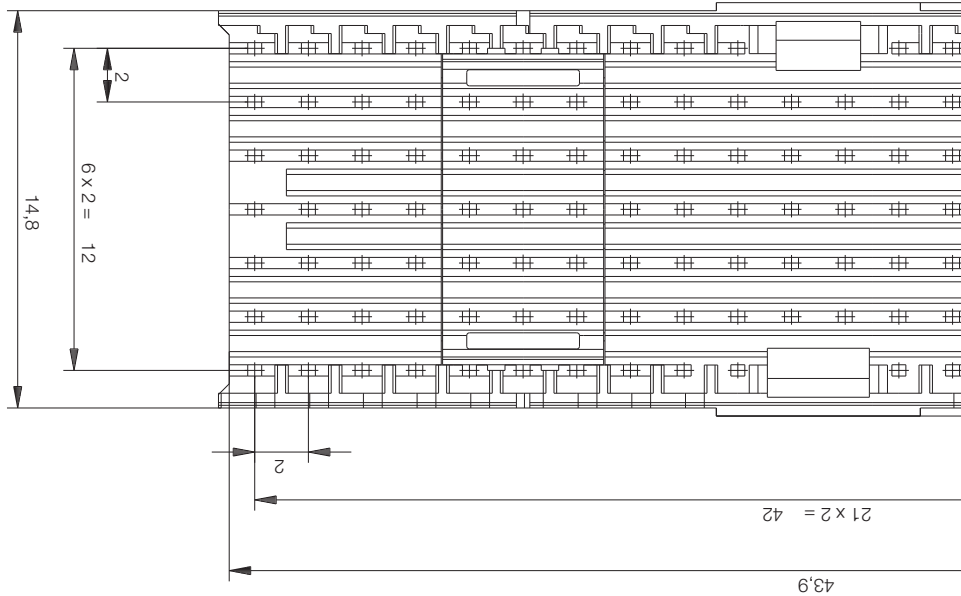
Consider protection memo from DIN 34



Dimension Nr.		Tolerances		All Dimensions in mm		Material		Scale		Tool-Nr.:	
								5:1			
Designation		Name		Date		Material		see pieceparts			
ERmet AB 22 Überga. m. Klemmst.											
ERmet AB 22 Shroud with clamp											
114429		Elektraparate GmbH									
D		D-73099 ADELBERG									
Class		O:00010299.SZN		Name		Date		Modification Nr.		Index	

Consider protection memo from DIN 94

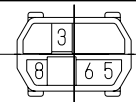
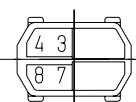
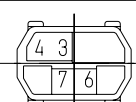
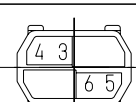
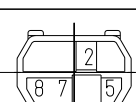
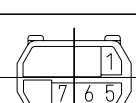
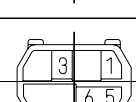
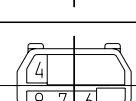
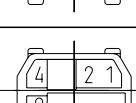
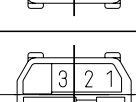
All rights reserved.
 Only for information.
 To insure that this is the latest version of this drawing, please contact one of the EFNl companies before using.
 Subject to modification without prior notice.
 Drawing will not be updated.



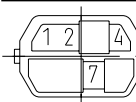
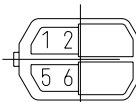
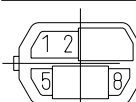
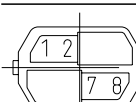
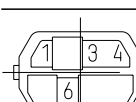
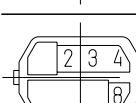
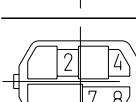
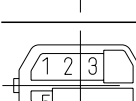
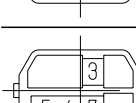
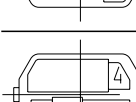
Coding Keys

Ordering Information

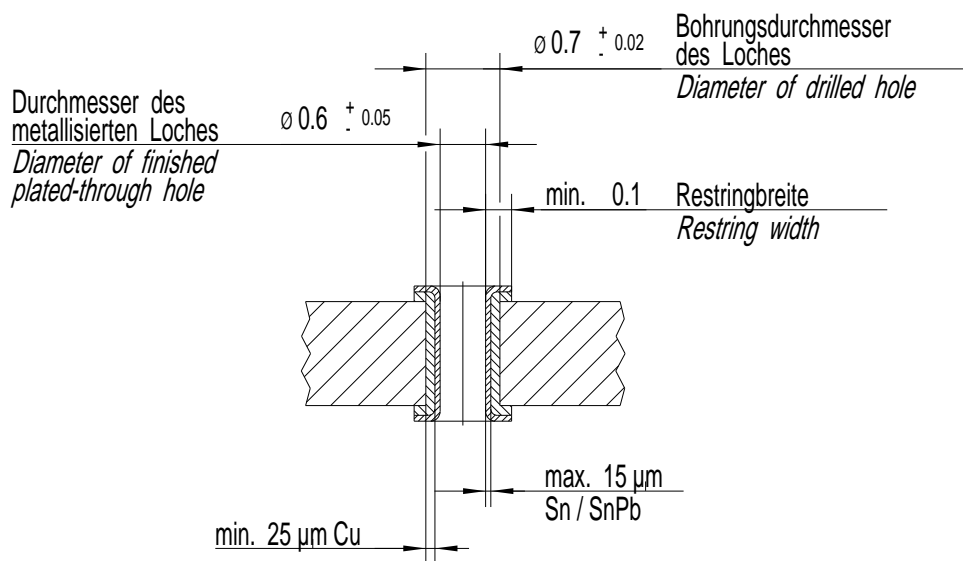
Coding keys for male connectors and shrouds

Coding Key	Code No.	Colour	Part Number
	3568	Pastel Orange RAL 2003 Fincke 00233197	043342
	3478	Steel Blue RAL 5011 Fincke 00251197	043343
	3467	Slate Grey RAL 7015 Fincke 00235197	043344
	3456	Cadmium Yellow RAL 1021 Fincke 00252197	043345
	2578	Reseda Green RAL 6011 Fincke 00237197	043346
	1567	Brilliant Blue RAL 5007 Fincke 00245197	043347
	1356	Blue/Lilac RAL 4005 Fincke 00246197	043348
	4678	Ocher Yellow RAL 1024 Fincke 00313197	043349
	1248	Strawberry Red RAL 3018 Fincke 00312197	043350
	1236	Nut Brown RAL 8011 Fincke 00272197	043351

Coding keys for female connectors

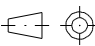

Coding Key	Code No.	Colour	Part Number
	1247	Pastel Orange RAL 2003 Fincke 00233197	043332
	1256	Steel Blue RAL 5011 Fincke 00251197	043333
	1258	Slate Grey RAL 7015 Fincke 00235197	043334
	1278	Cadmium Yellow RAL 1021 Fincke 00252197	043335
	1346	Reseda Green RAL 6011 Fincke 00237197	043336
	2348	Brilliant Blue RAL 5007 Fincke 00245197	043337
	2478	Blue/Lilac RAL 4005 Fincke 00246197	043338
	1235	Ocher Yellow RAL 1024 Fincke 00313197	043339
	3567	Strawberry Red RAL 3018 Fincke 00312197	043340
	4578	Nut Brown RAL 8011 Fincke 00272197	043341
		Mounting Device For Coding-Keys	053593

Schichtaufbau im metallisierten Loch fuer EE-Kontakt Metal plating of plated-through hole for EE-contact



fuer Einpresszone $D = 0.72$
for press-fit zone $D = 0.72$

Consider protection memo from DIN 34

Dimension Nr.	Tolerances	 All Dimensions in mm	Scale 10:1	Material
All rights reserved. Only for information. To insure that this is the latest version of this drawing, please contact one of the ERNI companies before using. Subject to modification without prior notice. Drawing will not be updated.	 Elektroapparate GmbH D-73099 ADELBERG		Designation Lochaufbau D=0.6 <i>Hole design D=0.6</i>	
			114406	

X-ON Electronics

Largest Supplier of Electrical and Electronic Components

Click to view similar products for [High Speed/Modular Connectors](#) category:

Click to view products by [ERNI](#) manufacturer:

Other Similar products are found below :

[2332816-1](#) [89006-1137LF](#) [650827-1](#) [65762-001LF](#) [73474-201LF](#) [74040-1346](#) [74075-0267](#) [88911-201LF](#) [9514M0C20D](#) [1410191-1](#)
[1410337-1](#) [1410368-3](#) [1410964-2](#) [1410326-3](#) [1410367-3](#) [1410971-4](#) [1467833-1](#) [2000877-1](#) [2000878-1](#) [2041314-1](#) [2065387-1](#) [2187307-1](#)
[2187462-1](#) [2226278-6](#) [KA81-07](#) [91290-101LF](#) [1934290-1](#) [2000875-1](#) [2065917-1](#) [2102736-2](#) [FSR-40](#) [2169868-2](#) [2226279-2](#) [22354-8](#) [437-](#)
[5040-000](#) [5-1393565-0](#) [532449-3](#) [532803-2](#) [34745-0001](#) [0740618502](#) [0760151403](#) [0760551105](#) [0760551608](#) [0761451128](#) [0761651124](#)
[0761655108](#) [0761659807](#) [0769853208](#) [0736440217](#) [0758324203](#)