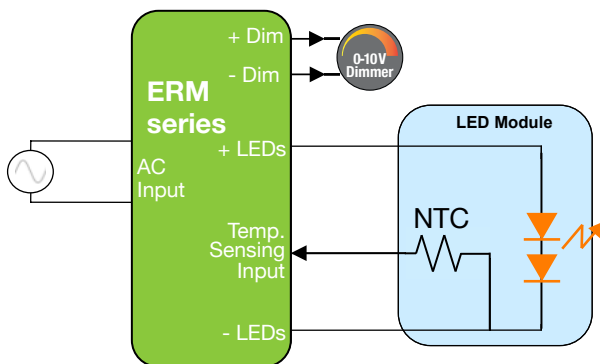


High Power Density Constant Current LED Drivers with 0-10 V Dimming

Input Voltage	Max. Output Power	Output Voltage	Output Current	Efficiency	Max. Case Temperature	THD	Power Factor	Dimming Method	Dimming Range
120 & 277 Vac nominal	70 W	21 to 82 Vdc	700 mA to 2.1 A CC	up to 90% typical	90°C (measured at hot spot)	< 20%	> 0.9	0-10 V	10 - 100% (% of Iout)

CC: Constant Current



Metal Case
L 81.5 x W 56.2 x H 31.5 mm
(L 3.21 x W 2.21 x H 1.24 in)

FEATURES

- Very High power density in the market: 8.2 W/in³
- Protections: output open load, over-current and short-circuit (hiccup), and over-temperature with auto recovery
- Conducted and radiated EMI: FCC CFR Title 47 Part 15 compliant with Class B at 120 Vac and Class A at 277 Vac
- Complies with ENERGY STAR® luminaire specification and DLC (DesignLight Consortium®) technical requirements
- IP64-rated case with silicone-based potting
- Lifetime: 50,000 hours min at 70°C case temperature
- 90°C maximum case hot spot temperature
- Class 2 power supply



ERP Part Number	Nominal Input Voltage (Vac)	Iout (mA)	Max Output Power (W)	Output Voltage Range (Vdc)	
				Min	Max
ERM050: 40 to 50 W					
ERM050W-1050-42	120 & 277	1050	44.1	32	42
ERM050W-1200-42	120 & 277	1200	50.4	32	42
ERM050W-1800-28	120 & 277	1800	50.4	21	28
ERM060: 51 to 70 W					
ERM060W-0700-82 ^[1]	120 & 277	700	57.4	62	82
ERM060W-1400-42	120 & 277	1400	58.8	32	42
ERM060W-1600-42	120 & 277	1600	67.2	32	42
ERM060W-1750-40	120 & 277	1750	70	30	40
ERM060W-2100-28	120 & 277	2100	58.8	21	28

Notes:
1. Not class 2

APPLICATIONS

- High current COB LEDs
- High Bay Lights
- Troffers
- Outdoor LED Lighting
- Office LED Lighting
- Industrial LED Lighting



X-ON Electronics

Largest Supplier of Electrical and Electronic Components

Click to view similar products for [LED Power Supplies](#) category:

Click to view products by [ERP Power](#) manufacturer:

Other Similar products are found below :

[ESS015W-1000-12](#) [PDA-WIFI](#) [PIFC-K250F](#) [PITB-K222A](#) [ALD-514012PJ134](#) [LB240S24KH](#) [LMH020-SPLC-0000-0000001](#) [79534](#) [79535](#)
[EUG-200S210DT](#) [ESS030W-1050-21](#) [ESS030W-0900-32](#) [BPOXL 4-12-035](#) [ESS010W-0350-24](#) [ESS010W-0200-42](#) [ESM060W-1400-42](#)
[PDA080B-1A0G](#) [ESS010W-0500-12](#) [PDA150B-S1A5G](#) [SLM140W-1.05-130-ZA](#) [ESS015W-0700-18](#) [EUD-150S350DVA](#) [LWA320-C420-](#)
[ARK-B](#) [HVG-240-48AB](#) [HVG-320-36AB](#) [HVG-320-54AB](#) [ELG-240-C1400AB](#) [EUK-150S105DV](#) [BXCS-12Z-N2P-B1-A](#) [BXPR-WN-01-A](#)
[LN1224CV](#) [BXCS-12D-N2P-01-A](#) [BXCS-12W-N2P-01-A](#) [HBG-160-24AB](#) [980100001200394](#) [980060001200376](#) [LC 14W 250-350MA](#)
[FLEXC R ADV2](#) [LC 24W 500-600MA FLEXC R ADV2](#) [LC 36W 850-900MA FLEXC R ADV2](#) [LC 50W 200-350ML 170V FLEXC LP](#)
[SNC4](#) [LC 25W 200-350ML 70V FLEXC LP SNC4](#) [LC 35W 200-350ML 121V FLEXC LP SNC4](#) [LCBI 10W 350MA PHASE-CUT/1-10V LP](#)
[LC 13W 300MA FIXC C SNC](#) [LC 10W 250MA FIXC SC SNC2](#) [LC 35W 800MA FIXC SR ADV2](#) [LC 38W 900MA FIXC SR ADV2](#) [LC](#)
[34W 800MA FIXC SC ADV2](#) [LC 44W 1050MA FIXC SC ADV2](#) [LC 38W 900MA 42V FIXC SRL ADV2](#)