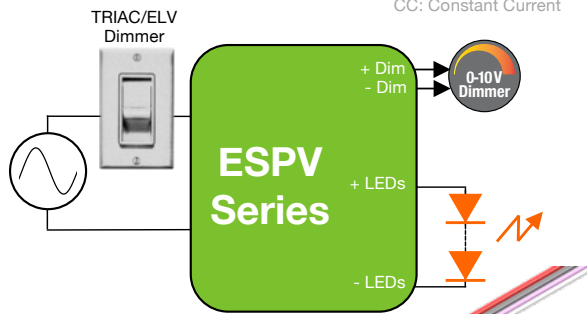


40 to 60 W Constant Current LED Drivers with Tri-Mode Dimming™ (TRIAC, ELV & 0-10 V)

Nominal Input Voltage	Max. Output Power	Output Voltage	Output Current	Efficiency	Max. Case Temperature	THD	Power Factor	Dimming Method	Dimming Range	Startup Time
120 to 277 Vac	60 W	24 to 42 Vdc	1.05 A to 1.4 A CC	up to 87% typical	90°C (measured at the hot spot)	< 20%	> 0.9	Forward-Phase, Reverse-Phase & 0 - 10V	1 - 100% (% of Iout)	400 ms

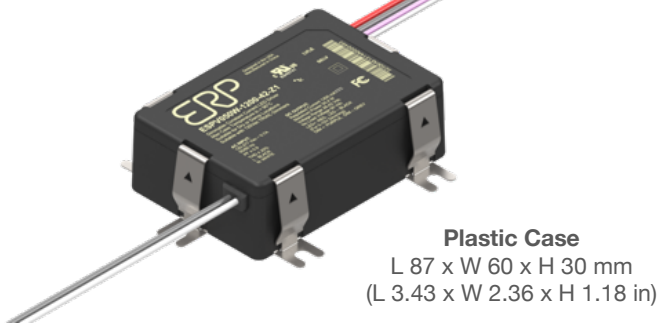
CC: Constant Current



ERP Part Number	Nominal Input Voltage (Vac)	Iout (mA)	Max Output Power (W)	Output Voltage Range (Vdc)	
				Min	Max
ESPV050W: 41 to 50W					
ESPV050W-1050-42-Z1 ⁽¹⁾	120 - 277	1050	44.1	24	42
ESPV050W-1200-42-Z1 ⁽¹⁾	120 - 277	1200	50.4	24	42
ESPV060W: 51 to 60W					
ESPV060W-1400-42-Z1 ⁽¹⁾	120 - 277	1400	58.8	24	42

Notes:

- Models with the "-Z1" suffix exhibit a non-linear 0-10V dimming profile with dim-to-off : 10V to 9.1V=100%, 1V to 0.8V=1%, <0.8V dim-to-off .
- The ESPV driver case must be mounted by using a minimum of two metal clips. By default, the ESPV driver is shipped with 2 metal clips. Additional metal clips can be ordered with the following part numbers:
 - ESPT-CLIPS-100: bag of 100 clips
 - ESPT-CLIPS-1k: bag of 1000 clips
 The metal clips are identical between the ESPV and ESPT series.
- For additional options of output current and output voltage, contact your sales representative or send an email to: SaveEnergy@ERP-Power.com



Plastic Case
L 87 x W 60 x H 30 mm
(L 3.43 x W 2.36 x H 1.18 in)

FEATURES

- Same features as the ESP/ESPT series but with a thermally-enhanced plastic case, 5VA flammability and UL Class P
- Compatible with TRIAC (forward-phase or leading-edge), ELV (reverse-phase or trailing-edge) and 0-10 V dimmers
- TRIAC and ELV dimming only at 120 Vac
- UL Class P
- 90°C maximum case hot spot temperature
- Class 2 power supply
- Lifetime: 50,000 hours at 70°C case hot spot temperature (some models have higher lifetime. Check lifetime curves in page 6)
- IP66-rated case with silicone-based potting
- Non-linear 0-10V dimming with dim-to-off: 10V to 8.1V=100%, 1V to 0.8V=1%, <0.8V dim-to-off.
- Protections: output open load, over-current and short-circuit (hiccup), and over-temperature with auto recovery
- Conducted and radiated EMI: Compliant with FCC CFR Title 47 Part 15 Class B (120 Vac) and Class A (277 Vac)
- Complies with ENERGY STAR®, DLC (DesignLight Consortium®) and CA Title 24 technical requirements
- Worldwide safety approvals

APPLICATIONS

- Indoor & outdoor
- Recessed lighting (downlights)
- Commercial & residential lighting
- Architectural lighting
- Office Lighting



CHINA Operations

tel: +86-756-6266298
No. 8 Pingdong Road 2
Zhuhai, Guangdong, China 519060

www.erp-power.com

SaveEnergy@erp-power.com

USA Headquarters

tel: +1-805-517-1300
893 Patriot Drive, Suite E
Moorpark, CA 93021, USA

X-ON Electronics

Largest Supplier of Electrical and Electronic Components

Click to view similar products for [LED Power Supplies](#) category:

Click to view products by [ERP Power](#) manufacturer:

Other Similar products are found below :

[ESS015W-1000-12](#) [EUC-075S105DT](#) [PDA-WIFI](#) [PIFC-K250F](#) [PITB-K222A](#) [ALD-514012PJ134](#) [LB240S24KH](#) [LMH020-SPLC-0000-0000001](#) [79534](#) [79535](#) [EUG-200S210DT](#) [ESS030W-1050-21](#) [ESS030W-0900-32](#) [BPOXL 4-12-035](#) [SLM160W-3.9-40-ZA](#) [ESS010W-0180-42](#) [ESS010W-0350-24](#) [ESS010W-0200-42](#) [PDA080B-1A0G](#) [ESS010W-0500-12](#) [PDA150B-S1A5G](#) [ZPS-20](#) [SLM140W-1.05-130-ZA](#) [ESS040W-1400-27](#) [ESS015W-0700-18](#) [ESS010E-0250-42](#) [EVM120W-2700-42-ECN2](#) [EDC-100S105SV-0007](#) [79278](#) [EUD-150S350DVA](#) [LWA320-C420-ARK-B](#) [50304](#) [HVG-320-36AB](#) [HVG-320-54AB](#) [OT FIT 50/220-240/300 D L](#) [OT FIT 35/220-240/350 D CS L](#) [OT FIT 65/220-240/350 D CS L](#) [ELEMENT 30/220-240/700 S](#) [LC 75W 100-400MA 1-10V LP EXC](#) [LCA 35W 150-700MA ONE4ALL LP PRE](#) [LCA 50W 100-400MA ONE4ALL LP PRE](#) [LCA 50W 350-1050MA ONE4ALL LP PRE](#) [LCA 50W 350-1050MA 2XCH LP PRE](#) [LCI 150/325-1050/300 O4A SL PRE](#) [LCA 75W 100-400MA ONE4ALL LP PRE](#) [LCA 45W 500-1400MA ONE4ALL SC PRE](#) [LC 50W 100-400MA FLEXC LP EXC](#) [LCA 75W 350-1050MA ONE4ALL LP PRE](#) [LC 50W 350-1050MA FLEXC LP EXC](#) [LC 75W 350-1050MA FLEXC LP EXC](#)