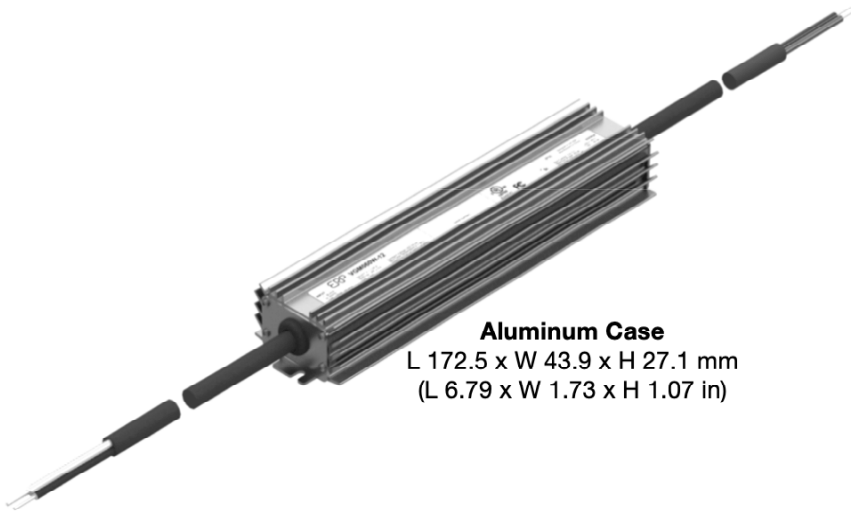


## 90 & 60 W, Efficient, CV Class 2 LED Drivers for Signage Applications

Nominal Input Voltage	Max. Output Power	Nominal Output Voltage	Max. Output Current	Efficiency	Max. Case Temperature	THD	Power Factor
120 & 277 Vac	90 W	12, 24 Vdc	5, 3.75 A	up to 90% typical	90°C (measured at the hot spot)	< 20%	> 0.9



**Aluminum Case**  
L 172.5 x W 43.9 x H 27.1 mm  
(L 6.79 x W 1.73 x H 1.07 in)



**Typical Application Diagram**



**Wiring Diagram**

ERP Part Number	Nominal Input Voltage (Vac)	Pout Max (W)	Vout Nom (Vdc)	Iout Min (A)	Iout Max (A)	Open Loop Voltage (No Load Vout Max) (Vdc)
VGM060W-12	120 & 277	60	12	0.1	5	12.84
VGM100W-24	120 & 277	90	24	0.2	3.75	25.68

### FEATURES

- Class 2 power supply
- IP66-rated case with silicone-based potting
- Lifetime: 50,000 hours min at 50° C ambient temperature
- UL879 SAM (Sign Component Manual) listing
- Surge protection:
  - IEC61000-4-5: 6 kV line to line/6 kV line to earth
  - 2.5 kV ring wave: ANSI/IEEE c62.41.1-2002 & c62.41.2-2002 category A
- Complies with ENERGY STAR®, DLC (DesignLight Consortium®) and CA Title 24 technical requirements
- Worldwide safety approvals



CA Title 24

### TYPICAL APPLICATIONS

- Signage
- Strip lights



#### CHINA Operations

tel: +86-756-6266298  
No. 8 Pingdong Road 2  
Zhuhai, Guangdong, China 519060

[www.erp-power.com](http://www.erp-power.com)

[SaveEnergy@erp-power.com](mailto:SaveEnergy@erp-power.com)

#### USA Headquarters

tel: +1-805-517-1300  
893 Patriot Drive, Suite E  
Moorpark, CA 93021, USA

## X-ON Electronics

Largest Supplier of Electrical and Electronic Components

*Click to view similar products for [LED Power Supplies](#) category:*

*Click to view products by [ERP Power](#) manufacturer:*

Other Similar products are found below :

[ESS015W-1000-12](#) [PDA-WIFI](#) [PIFC-K250F](#) [PITB-K222A](#) [ALD-514012PJ134](#) [LB240S24KH](#) [LMH020-SPLC-0000-0000001](#) [79534](#) [79535](#)  
[EUG-200S210DT](#) [ESS030W-1050-21](#) [ESS030W-0900-32](#) [BPOXL 4-12-035](#) [ESS010W-0350-24](#) [ESS010W-0200-42](#) [ESM060W-1400-42](#)  
[PDA080B-1A0G](#) [ESS010W-0500-12](#) [PDA150B-S1A5G](#) [SLM140W-1.05-130-ZA](#) [ESS015W-0700-18](#) [EUD-150S350DVA](#) [LWA320-C420-](#)  
[ARK-B](#) [HVG-240-48AB](#) [HVG-320-36AB](#) [HVG-320-54AB](#) [ELG-240-C1400AB](#) [EUK-150S105DV](#) [BXCS-12Z-N2P-B1-A](#) [BXPR-WN-01-A](#)  
[LN1224CV](#) [BXCS-12D-N2P-01-A](#) [BXCS-12W-N2P-01-A](#) [HBG-160-24AB](#) [980100001200394](#) [980060001200376](#) [LC 14W 250-350MA](#)  
[FLEXC R ADV2](#) [LC 24W 500-600MA FLEXC R ADV2](#) [LC 36W 850-900MA FLEXC R ADV2](#) [LC 50W 200-350ML 170V FLEXC LP](#)  
[SNC4](#) [LC 25W 200-350ML 70V FLEXC LP SNC4](#) [LC 35W 200-350ML 121V FLEXC LP SNC4](#) [LCBI 10W 350MA PHASE-CUT/1-10V LP](#)  
[LC 13W 300MA FIXC C SNC](#) [LC 10W 250MA FIXC SC SNC2](#) [LC 35W 800MA FIXC SR ADV2](#) [LC 38W 900MA FIXC SR ADV2](#) [LC](#)  
[34W 800MA FIXC SC ADV2](#) [LC 44W 1050MA FIXC SC ADV2](#) [LC 38W 900MA 42V FIXC SRL ADV2](#)