

ESPE-1005-iUSB

- premium quality plug type 5 V USB power supply

FEATURES:

- compact design
- high power output
- premium class design
- safe and reliable power source
- high efficiency

APPLICATIONS:

- consumer electronics
- office equipment
- general purpose
- computer devices
- mobile equipment



ESPE-1005-iUSB is a compact and efficient 10-watt wall-mounted style power unit for various types of electronic devices with USB socket. It is based on high quality electronic components that allow continuous, long-lasting work in all conditions. It is reliable, fully secured and stable. It provides high efficiency and excellent specification.

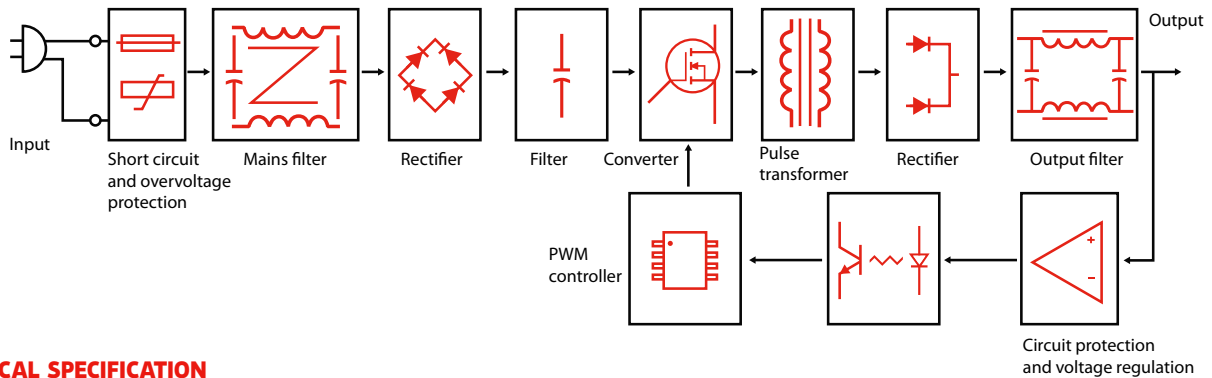
TECHNICAL SPECIFICATION

Group	Parameter	Value	Conditions
Input	Rated input voltage	230 VAC	
	Input voltage range	220-240 VAC	
	Mains frequency range	47-63 Hz	
	AC current (max.)	0.2 A	
	Inrush current (max.)	30 A	
	No load power consumption	0.3 W	
	Input leakage current (max.)	0.25 mA	
	Power factor correction	No	
Output	Rated output voltage	5 V	
	Rated output power	10.5 W	
	Rated output current	2.1 A	
	Efficiency	71%	At 230 VAC
	Line regulation	±3%	
	Load regulation	±5%	
	Ripple and noise	100 mVp-p	
	Minimal output current	No	
	Hold up time (max.)	5 ms	
	DC voltage rise time (max.)	40 ms	
Turn on delay time (max.)	3 s		
Environmental	Working temperature	0 to +40°C	
	Working humidity	25% to 75% RH	40°C
	Storage temperature	-10°C to +80°C	
	Cooling method	Free air circulation	
Protection	Short circuit	Yes	
	Overcurrent	Yes	
	Output overvoltage	Yes	
	Automatic recovery on fault remove	Yes	
Safety and EMC	Withstand isolation voltage	3 kVAC (input to output)	5 mA, 1 min
	Isolation resistance	100 MΩ	500 VDC
	Isolation class	2	
	Safety compliance	EN60950-1	
	EMC compliance	EN55022 class B	
Marking	RoHS, CE		
Mechanical and features	Enclosure	Black ABS plastic	
	Size	63 × 41 × 21.5 mm	L × W × H
	Weight	28 g	
	Output connector	USB socket	
	Input connector	EU 2-pole plug	
	Single package	PE bag 170 × 120 mm	
	Packing	360 × 230 × 145 mm	100 pieces
	Warranty	3 years	

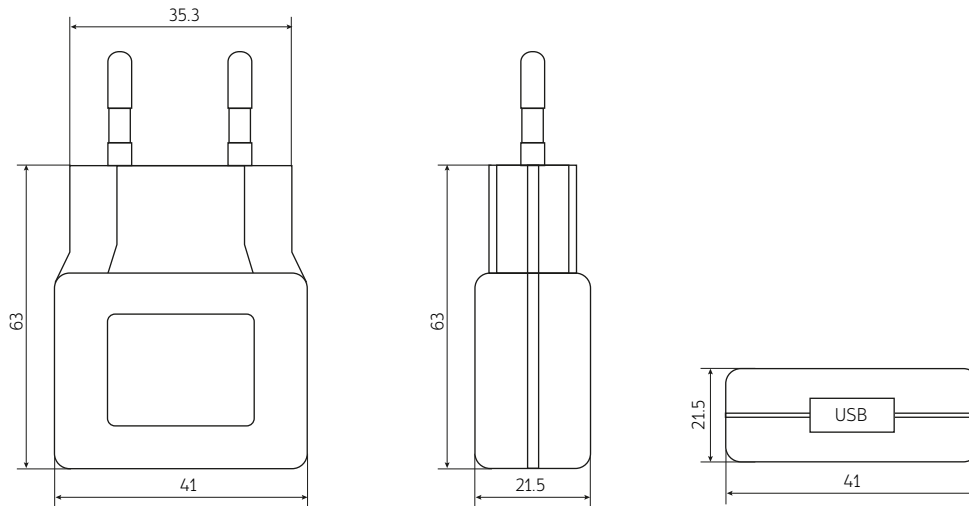
Notes:

Unless otherwise stated, all parameters are specified at 230 VAC input voltage, 50 Hz, ambient temperature 25°C and relative humidity 70% for rated load output. The values of parameters related to the output voltage regulation is measured from low to high line or for load changes from 0 to 100%, respectively. The power supply is considered as an independent unit, but the final equipment still need to reconfirm that the whole system complies with the EMC directives. If the PSU is installed in the final device as a subassembly, the tests should be repeated to verify that the system has been met compliance. Detailed technical data are available on request.

BLOCK DIAGRAM



MECHANICAL SPECIFICATION



PRODUCT LABEL



Legend to the label icons:

- - II safety class: no grounding is required, no dangerous voltage even in an emergency situation will appear on output
- 🏠 - power supply intended for indoor use only
- ♻️ - the product must not be disposed of in normal waste containers

MARKING SYSTEM

ESPE-1005-iUSB

- Output connector **USB**
- Rated output voltage **5 V**
- Output power **10 W**
- Family **ESPE**

OTHER POWER SUPPLIES IN THIS SERIES

Model	ESPE-1005-W2E-microUSB	ESPE-1505-W2E-microUSB	ESPE-0605-W2E-iUSB	ESPE-1005-W2E-USB	ESPE-1605-W2E-i2USB
Rated output voltage	5 V	5 V	5 V	5 V	5V
Rated output current	2 A	2 A	1.2 A	2.1 A	3.1 A
Rated output power	10 W	10 W	6 W	11 W	16 W
Connector	Micro USB plug	Micro USB plug	USB socket	USB socket	Dual USB socket

X-ON Electronics

Largest Supplier of Electrical and Electronic Components

Click to view similar products for [Espe manufacturer](#):

Other Similar products are found below :

[ESPE-3612-P3-2155+KB+OP](#) [ESPE-0605-W2E-2155](#) [ESPE-9024-P3-2155+KB+OP](#) [PRO2412W2E-2155L](#) [OP-YTLY1-2057](#) [E3612C8-2563](#)
[PRO2005W2E-1335](#) [LSF10012CV](#) [PRO1212W2E-2155LCN](#) [ESPE-0606-W2E-2155](#) [PRO1505W2E-1740](#) [E2415W2E-1748](#) [PRO2005W2E-2155L](#) [PRO2412C8](#) [PRO2412W2E-2555L](#) [PRO0612W2E-1740CN](#) [ESPE-HDN9012](#) [PRO1005W2E-2555L](#) [PRO1515W2E-2155L](#)
[PRO1515W2E-2555L](#) [LNI15012CV](#) [OP-YTLY1-2000](#) [PRO1512W2E-1335](#) [PRO2005W2E-2555L](#) [PRO2412C8-2555L](#) [PRO2412W2E-1335](#)
[PRO3624C8-2555L](#) [ESPE-0909-W2E-2155+OP](#) [ESPE-6015-T2-2155+KB+OP](#) [LN10024CV](#) [E2424W2E-2555L](#) [PRO12024C13-2555](#) [ESPE-0909-W2E-2555+OP](#) [OPAC-3G0.75-1-2057](#) [OPAC-2X0.75-3-2000_5000](#) [ESPE-6524-P3-2155](#) [PRO1505W2E-2155S](#) [ESPE-1212-W2E-2155](#)
[OPAC-2X0.75-1-2057](#) [E3612C8-2155L](#) [E3612C8-2555L](#) [ZSIDT24/2.7-4A](#) [LNG8012CV](#) [ESPE-2608-T2-2155+KB+OP](#) [ESPE-1212-W2E-2155L](#) [OP-YTLY1-3041](#) [OPAC-2X0.75-1-5028](#) [OPAC-3G0.75-1-5028](#) [OP-YTLY3-2000_5000](#) [LNH10012CV](#)