

ESP32-C6-MINI-1

ESP32-C6-MINI-1U

Datasheet

Module that supports 2.4 GHz Wi-Fi 6 (802.11ax), Bluetooth® 5 (LE), Zigbee and Thread (802.15.4)

Built around ESP32-C6 series of SoCs, 32-bit RISC-V single-core microprocessor

4 MB flash in chip package

22 GPIOs, rich set of peripherals

On-board PCB antenna or external antenna connector



ESP32-C6-MINI-1



ESP32-C6-MINI-1U



Version 1.1
Espressif Systems
Copyright © 2024

1 Module Overview

Note:

Check the link or the QR code to make sure that you use the latest version of this document:
https://espressif.com/documentation/esp32-c6-mini-1_mini-1u_datasheet_en.pdf



1.1 Features

CPU and On-Chip Memory

- ESP32-C6FH4 embedded, 32-bit RISC-V single-core microprocessor, up to 160 MHz
- ROM: 320 KB
- HP SRAM: 512 KB
- LP SRAM: 16 KB
- 4 MB flash in chip package

Wi-Fi

- 1T1R in 2.4 GHz band
- Operating frequency: 2412 ~ 2484 MHz
- IEEE 802.11ax-compliant
 - 20 MHz-only non-AP mode
 - MCS0 ~ MCS9
 - Uplink and downlink OFDMA, especially suitable for simultaneous connections in high-density environments
 - Downlink MU-MIMO (multi-user, multiple input, multiple output) to increase network capacity
 - Beamformee that improves signal quality
 - Channel quality indication (CQI)
 - DCM (dual carrier modulation) to improve link robustness
 - Spatial reuse to maximize parallel transmissions
 - Target wake time (TWT) that optimizes power saving mechanisms

- Fully compatible with IEEE 802.11b/g/n protocol
 - 20 MHz and 40 MHz bandwidth
 - Data rate up to 150 Mbps
 - Wi-Fi Multimedia (WMM)
 - TX/RX A-MPDU, TX/RX A-MSDU
 - Immediate Block ACK
 - Fragmentation and defragmentation
 - Transmit opportunity (TXOP)
 - Automatic Beacon monitoring (hardware TSF)
 - 4 × virtual Wi-Fi interfaces
 - Simultaneous support for Infrastructure BSS in Station mode, SoftAP mode, Station + SoftAP mode, and promiscuous mode
Note that when ESP32-C6 scans in Station mode, the SoftAP channel will change along with the Station channel
 - 802.11mc FTM

Bluetooth®

- Bluetooth LE: Bluetooth 5.3 certified
- Bluetooth mesh
- High power mode (20 dBm)
- Speed: 125 Kbps, 500 Kbps, 1 Mbps, 2 Mbps
- Advertising extensions
- Multiple advertisement sets
- Channel selection algorithm #2
- LE power control

- Internal co-existence mechanism between Wi-Fi and Bluetooth to share the same antenna

IEEE 802.15.4

- Compliant with IEEE 802.15.4-2015 protocol
- OQPSK PHY in 2.4 GHz band
- Data rate: 250 Kbps
- Thread 1.3
- Zigbee 3.0

Peripherals

- GPIO, SPI, parallel IO interface, UART, I2C, I2S, RMT (TX/RX), pulse counter, LED PWM, USB Serial/JTAG controller, MCPWM, SDIO2.0 slave controller, GDMA, TWAI[®] controller, on-chip debug functionality via JTAG, event task matrix, ADC, temperature sensor, system timer, general-purpose timers, and watchdog timers

Integrated Components on Module

- 40 MHz crystal oscillator

Antenna Options

- On-board PCB antenna (ESP32-C6-MINI-1)
- External antenna via a connector (ESP32-C6-MINI-1U)

Operating Conditions

- Operating voltage/Power supply: 3.0 ~ 3.6 V
- Operating ambient temperature:
 - 85 °C version module: -40 ~ 85 °C
 - 105 °C version module: -40 ~ 105 °C

Certification

- RF certification: See [certificates](#)
- Green certification: RoHS/REACH

Test

- HTOL/HTSL/uHAST/TCT/ESD

1.2 Description

ESP32-C6-MINI-1 and ESP32-C6-MINI-1U are two powerful, general-purpose Wi-Fi, IEEE 802.15.4, and Bluetooth LE modules. The rich set of peripherals and high performance make the module an ideal choice for smart homes, industrial automation, health care, consumer electronics, etc.

ESP32-C6-MINI-1 comes with a PCB antenna. ESP32-C6-MINI-1U comes with a connector for an external antenna. They both feature a 4 MB SPI flash.

Both ESP32-C6-MINI-1 and ESP32-C6-MINI-1U come in two versions:

- 85 °C version
- 105 °C version

The two versions only vary in maximum ambient temperature. In this datasheet unless otherwise stated, ESP32-C6-MINI-1 and ESP32-C6-MINI-1U refer to the variants in 85 °C and 105 °C versions.

The series comparison for the two modules is as follows:

Table 1: ESP32-C6-MINI-1 (ANT) Series Comparison¹

Ordering Code	Flash	Ambient Temp. ² (°C)	Size ³ (mm)
ESP32-C6-MINI-1-N4	4 MB (Quad SPI) ⁴	-40 ~ 85	13.2 × 16.6 × 2.4
ESP32-C6-MINI-1-H4		-40 ~ 105	

¹ This table shares the same notes presented in Table 2 below.

Table 2: ESP32-C6-MINI-1U (CONN) Series Comparison

Ordering Code	Flash	Ambient Temp. ² (°C)	Size ³ (mm)
ESP32-C6-MINI-1U-N4	4 MB (Quad SPI) ⁴	-40 ~ 85	13.2 × 12.5 × 2.4
ESP32-C6-MINI-1U-H4		-40 ~ 105	

² Ambient temperature specifies the recommended temperature range of the environment immediately outside the Espressif module.

³ For details, refer to Section 9.1 *Physical Dimensions*.

⁴ The flash is integrated in the chip's package.

At the core of the modules is ESP32-C6FH4, a 32-bit RISC-V single-core processor. For more information on ESP32-C6FH4, please refer to [ESP32-C6 Series Datasheet](#).

1.3 Applications

- Smart Home
- Industrial Automation
- Health Care
- Consumer Electronics
- Smart Agriculture
- POS machines
- Service robot
- Audio Devices
- Generic Low-power IoT Sensor Hubs
- Generic Low-power IoT Data Loggers

Contents

1	Module Overview	2
1.1	Features	2
1.2	Description	3
1.3	Applications	4
2	Block Diagram	9
3	Pin Definitions	10
3.1	Pin Layout	10
3.2	Pin Description	10
3.3	Strapping Pins	11
3.3.1	SDIO Sampling and Driving Clock Edge Control	13
3.3.2	Chip Boot Mode Control	13
3.3.3	ROM Messages Printing Control	13
3.3.4	JTAG Signal Source Control	14
4	Peripherals	15
4.1	Functional Overview	15
4.2	Peripheral Pin Configurations	15
5	Electrical Characteristics	19
5.1	Absolute Maximum Ratings	19
5.2	Recommended Operating Conditions	19
5.3	DC Characteristics (3.3 V, 25 °C)	19
5.4	Current Consumption Characteristics	20
5.4.1	Current Consumption in Active Mode	20
5.4.2	Current Consumption in Other Modes	21
6	RF Characteristics	22
6.1	Wi-Fi Radio	22
6.1.1	Wi-Fi RF Transmitter (TX) Characteristics	22
6.1.2	Wi-Fi RF Receiver (RX) Characteristics	23
6.2	Bluetooth 5 (LE) Radio	25
6.2.1	Bluetooth LE RF Transmitter (TX) Characteristics	25
6.2.2	Bluetooth LE RF Receiver (RX) Characteristics	26
6.3	802.15.4 Radio	28
6.3.1	802.15.4 RF Transmitter (TX) Characteristics	29
6.3.2	802.15.4 RF Receiver (RX) Characteristics	29
7	Module Schematics	30
8	Peripheral Schematics	32

9	Physical Dimensions and PCB Land Pattern	33
9.1	Physical Dimensions	33
9.2	Recommended PCB Land Pattern	34
9.3	Dimensions of External Antenna Connector	36
10	Product Handling	37
10.1	Storage Conditions	37
10.2	Electrostatic Discharge (ESD)	37
10.3	Soldering Profile	37
	10.3.1 Reflow Profile	37
10.4	Ultrasonic Vibration	38
	Related Documentation and Resources	39
	Revision History	40

List of Tables

1	ESP32-C6-MINI-1 (ANT) Series Comparison ¹	4
2	ESP32-C6-MINI-1U (CONN) Series Comparison	4
3	Pin Definitions	10
4	Default Configuration of Strapping Pins	12
5	Description of Timing Parameters for the Strapping Pins	12
6	SDIO Input Sampling Edge/Output Driving Edge Control	13
7	Boot Mode Control	13
8	ROM Messages Printing Control	14
9	JTAG Signal Source Control	14
10	Peripheral Pin Configurations	15
11	Absolute Maximum Ratings	19
12	Recommended Operating Conditions	19
13	DC Characteristics (3.3 V, 25 °C)	19
14	Current Consumption for Wi-Fi (2.4 GHz) in Active Mode	20
15	Current Consumption for Bluetooth LE in Active Mode	20
16	Current Consumption for 802.15.4 in Active Mode	20
17	Current Consumption in Modem-sleep Mode	21
18	Current Consumption in Low-Power Modes	21
19	Wi-Fi RF Characteristics	22
20	TX Power with Spectral Mask and EVM Meeting 802.11 Standards	22
21	TX EVM Test ¹	22
22	RX Sensitivity	23
23	Maximum RX Level	24
24	RX Adjacent Channel Rejection	24
25	Bluetooth LE RF Characteristics	25
26	Bluetooth LE - Transmitter Characteristics - 1 Mbps	25
27	Bluetooth LE - Transmitter Characteristics - 2 Mbps	25
28	Bluetooth LE - Transmitter Characteristics - 125 Kbps	26
29	Bluetooth LE - Transmitter Characteristics - 500 Kbps	26
30	Bluetooth LE - Receiver Characteristics - 1 Mbps	26
31	Bluetooth LE - Receiver Characteristics - 2 Mbps	27
32	Bluetooth LE - Receiver Characteristics - 125 Kbps	28
33	Bluetooth LE - Receiver Characteristics - 500 Kbps	28
34	802.15.4 RF Characteristics	28
35	802.15.4 Transmitter Characteristics - 250 Kbps	29
36	802.15.4 Receiver Characteristics - 250 Kbps	29

List of Figures

1	ESP32-C6-MINI-1 Block Diagram	9
2	ESP32-C6-MINI-1U Block Diagram	9
3	Pin Layout (Top View)	10
4	Visualization of Timing Parameters for the Strapping Pins	13
5	ESP32-C6-MINI-1 Schematics	30
6	ESP32-C6-MINI-1U Schematics	31
7	Peripheral Schematics	32
8	ESP32-C6-MINI-1 Physical Dimensions	33
9	ESP32-C6-MINI-1U Physical Dimensions	33
10	ESP32-C6-MINI-1 Recommended PCB Land Pattern	34
11	ESP32-C6-MINI-1U Recommended PCB Land Pattern	35
12	Dimensions of External Antenna Connector	36
13	Reflow Profile	37

2 Block Diagram

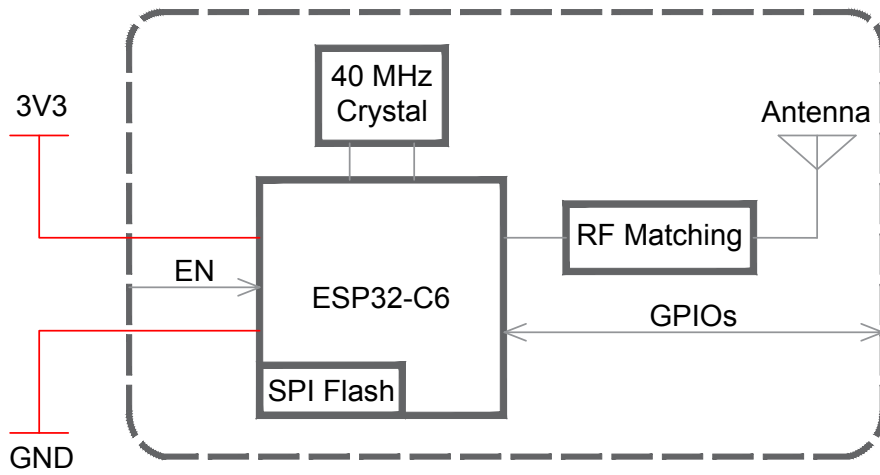


Figure 1: ESP32-C6-MINI-1 Block Diagram

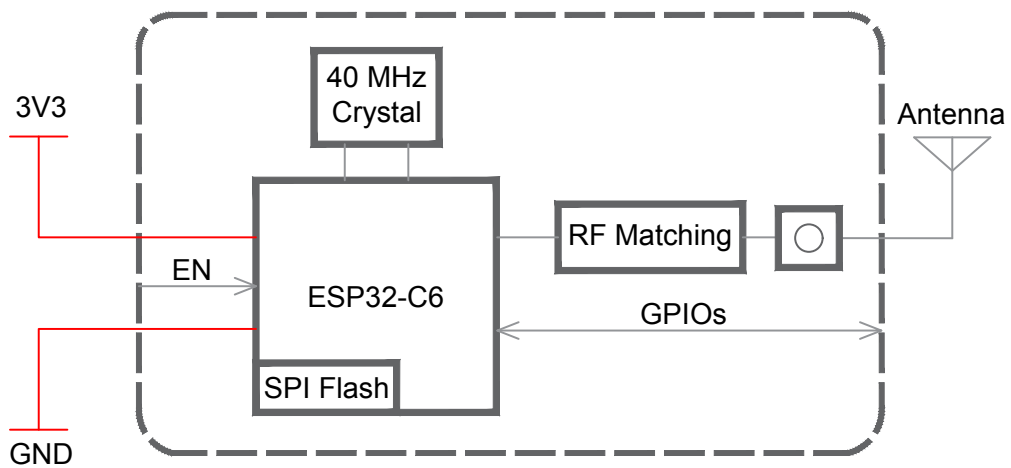


Figure 2: ESP32-C6-MINI-1U Block Diagram

Table 3 – cont'd from previous page

Name	No.	Type ¹	Function
NC	4	—	NC
IO2	5	I/O/T	GPIO2, LP_GPIO2, LP_UART_RTSN, ADC1_CH2, FSPIQ
IO3	6	I/O/T	GPIO3, LP_GPIO3, LP_UART_CTSN, ADC1_CH3
NC	7	—	NC
EN	8	I	High: on, enables the chip. Low: off, the chip powers off. Note: Do not leave the EN pin floating.
IO4	9	I/O/T	MTMS, GPIO4, LP_GPIO4, LP_UART_RXD, ADC1_CH4, FSPIHD
IO5	10	I/O/T	MTDI, GPIO5, LP_GPIO5, LP_UART_TXD, ADC1_CH5, FSPIWP
IO0	12	I/O/T	GPIO0, XTAL_32K_P, LP_GPIO0, LP_UART_DTRN, ADC1_CHO
IO1	13	I/O/T	GPIO1, XTAL_32K_N, LP_GPIO1, LP_UART_DSRN, ADC1_CH1
IO6	15	I/O/T	MTCK, GPIO6, LP_GPIO6, LP_I2C_SDA, ADC1_CH6, FSPICKL
IO7	16	I/O/T	MTDO, GPIO7, LP_GPIO7, LP_I2C_SCL, FSPID
IO12	17	I/O/T	GPIO12, USB_D-
IO13	18	I/O/T	GPIO13, USB_D+
IO14	19	I/O/T	GPIO14
IO15	20	I/O/T	GPIO15
NC	21	—	NC
IO8	22	I/O/T	GPIO8
IO9	23	I/O/T	GPIO9
IO18	24	I/O/T	GPIO18, SDIO_CMD, FSPICS2
IO19	25	I/O/T	GPIO19, SDIO_CLK, FSPICS3
IO20	26	I/O/T	GPIO20, SDIO_DATA0, FSPICS4
IO21	27	I/O/T	GPIO21, SDIO_DATA1, FSPICS5
IO22	28	I/O/T	GPIO22, SDIO_DATA2
IO23	29	I/O/T	GPIO23, SDIO_DATA3
RXD0	30	I/O/T	UORXD, GPIO17, FSPICS1
TXD0	31	I/O/T	UOTXD, GPIO16, FSPICS0
NC	32	—	NC
NC	33	—	NC
NC	34	—	NC
NC	35	—	NC

¹ P: power supply; I: input; O: output; T: high impedance.

3.3 Strapping Pins

Note:

The content below is excerpted from [ESP32-C6 Series Datasheet](#) > Section *Strapping Pins*. For the strapping pin mapping between the chip and modules, please refer to Chapter *7 Module Schematics*.

At each startup or reset, a chip requires some initial configuration parameters, such as in which boot mode to load the chip, etc. These parameters are passed over via the strapping pins. After reset, the strapping pins

operate as regular IO pins.

The parameters controlled by the given strapping pins at chip reset are as follows:

- **SDIO sampling and driving clock edge** – MTMS and MTDI
- **Chip boot mode** – GPIO8 and GPIO9
- **ROM code printing to UART** – GPIO8
- **JTAG signal source** – GPIO15

GPIO9 is connected to the chip's internal weak pull-up resistor at chip reset. This resistor determines the default bit value of GPIO9. Also, the resistor determines the bit value if GPIO9 is connected to an external high-impedance circuit.

Table 4: Default Configuration of Strapping Pins

Strapping Pin	Default Configuration	Bit Value
MTMS	Floating	–
MTDI	Floating	–
GPIO8	Floating	–
GPIO9	Pull-up	1
GPIO15	Floating	–

To change the bit values, the strapping pins should be connected to external pull-down/pull-up resistances. If the ESP32-C6 is used as a device by a host MCU, the strapping pin voltage levels can also be controlled by the host MCU.

All strapping pins have latches. At system reset, the latches sample the bit values of their respective strapping pins and store them until the chip is powered down or shut down. The states of latches cannot be changed in any other way. It makes the strapping pin values available during the entire chip operation, and the pins are freed up to be used as regular IO pins after reset.

Regarding the timing requirements for the strapping pins, there are such parameters as *setup time* and *hold time*. For more information, see Table 5 and Figure 4.

Table 5: Description of Timing Parameters for the Strapping Pins

Parameter	Description	Min (ms)
t_{SU}	<i>Setup time</i> is the time reserved for the power rails to stabilize before the CHIP_PU pin is pulled high to activate the chip.	0
t_H	<i>Hold time</i> is the time reserved for the chip to read the strapping pin values after CHIP_PU is already high and before these pins start operating as regular IO pins.	3

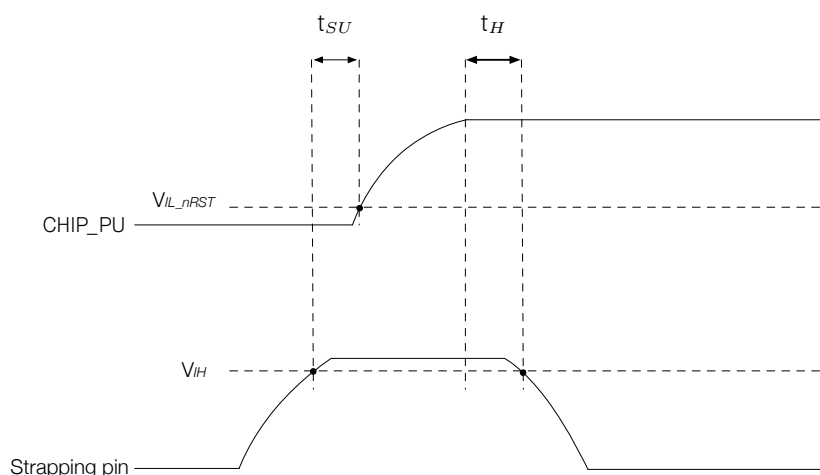


Figure 4: Visualization of Timing Parameters for the Strapping Pins

3.3.1 SDIO Sampling and Driving Clock Edge Control

The strapping pin MTMS and MTDI can be used to decide on which clock edge to sample signals and drive output lines. See Table 6 [SDIO Input Sampling Edge/Output Driving Edge Control](#).

Table 6: SDIO Input Sampling Edge/Output Driving Edge Control

MTMS	MTDI	Edge behavior
– (Floating)	– (Floating)	Default Configuration
0	0	Falling edge sampling, falling edge output
0	1	Falling edge sampling, rising edge output
1	0	Rising edge sampling, falling edge output
1	1	Rising edge sampling, rising edge output

3.3.2 Chip Boot Mode Control

GPIO8 and GPIO9 control the boot mode after the reset is released. See Table 7 [Boot Mode Control Boot Mode Control](#).

Table 7: Boot Mode Control

Boot Mode	GPIO8	GPIO9
Default Configuration	– (Floating)	1 (Pull-up)
SPI Boot (default)	Any value	1
Download Boot	1	0
Invalid combination ¹	0	0

¹ This combination triggers unexpected behavior and should be avoided.

3.3.3 ROM Messages Printing Control

During the boot process, the messages by the ROM code can be printed to:

- (Default) UART0 and USB Serial/JTAG controller
- USB Serial/JTAG controller
- UART0

EFUSE_UART_PRINT_CONTROL and GPIO8 control ROM messages printing to **UART0** as shown in Table 8 [ROM Messages Printing Control](#).

Table 8: ROM Messages Printing Control

eFuse ¹	GPIO8	ROM Code Printing
0	Ignored	Always enabled
1	0	Enabled
	1	Disabled
2	0	Disabled
	1	Enabled
3	Ignored	Always disabled

¹ eFuse: EFUSE_UART_PRINT_CONTROL

EFUSE_DIS_USB_SERIAL_JTAG_ROM_PRINT controls the printing to **USB Serial/JTAG controller**. When this bit is 1, printing to USB Serial/JTAG controller is disabled. When this bit is 0, and USB Serial/JTAG controller is enabled via EFUSE_DIS_USB_SERIAL_JTAG, ROM messages can be printed to USB Serial/JTAG controller.

3.3.4 JTAG Signal Source Control

The strapping pin GPIO15 can be used to control the source of JTAG signals during the early boot process. This pin does not have any internal pull resistors and the strapping value must be controlled by the external circuit that cannot be in a high impedance state.

As Table 9 shows, GPIO15 is used in combination with EFUSE_DIS_PAD_JTAG, EFUSE_DIS_USB_JTAG, and EFUSE_JTAG_SEL_ENABLE.

Table 9: JTAG Signal Source Control

eFuse 1 ^a	eFuse 2 ^b	eFuse 3 ^c	GPIO15	JTAG Signal Source
0	0	0	Ignored	USB Serial/JTAG Controller
		1	0	JTAG pins MTDI, MTCK, MTMS, and MTDO
				1
0	1	Ignored	Ignored	JTAG pins MTDI, MTCK, MTMS, and MTDO
1	0	Ignored	Ignored	USB Serial/JTAG Controller
1	1	Ignored	Ignored	JTAG is disabled

^a eFuse 1: EFUSE_DIS_PAD_JTAG

^b eFuse 2: EFUSE_DIS_USB_JTAG

^c eFuse 3: EFUSE_JTAG_SEL_ENABLE

4 Peripherals

4.1 Functional Overview

ESP32-C6FH4 integrates a rich set of peripherals including SPI, parallel IO interface, UART, I2C, I2S, RMT (TX/RX), LED PWM, USB Serial/JTAG controller, MCPWM, SDIO2.0 slave controller, GDMA, TWAI[®] controller, on-chip debug functionality via JTAG, event task matrix, ADC, as well as up to 22 GPIOs, etc.

For detailed information about module peripherals, please refer to [ESP32-C6 Series Datasheet](#) > Section *Functional Description*. Note that the ADC measurement range and accuracy in the [ESP32-C6 Series Datasheet](#) are applicable to modules manufactured on and after the PW Number **PW-2023-06-XXX** on packaging labels. For modules manufactured earlier than these PW numbers, please ask our [sales team](#) to provide the actual range and accuracy according to batches.

Note:

The content below is excerpted from [ESP32-C6 Series Datasheet](#) > Section *Peripheral Pin Configurations*, so not all the information is applicable to ESP32-C6-MINI-1 and ESP32-C6-MINI-1U. To learn more details about peripherals signals, please refer to [ESP32-C6 Technical Reference Manual](#) > Section *Peripheral Signal List*.

4.2 Peripheral Pin Configurations

Table 10: Peripheral Pin Configurations

Interface	Signal	Pin	Function
ADC	ADC1_CH0	XTAL_32K_P	12-bit SAR ADC
	ADC1_CH1	XTAL_32K_N	
	ADC1_CH2	GPIO2	
	ADC1_CH3	GPIO3	
	ADC1_CH4	MTMS	
	ADC1_CH5	MTDI	
	ADC1_CH6	MTCK	
JTAG	MTDI	MTDI	JTAG for software debugging
	MTCK	MTCK	
	MTMS	MTMS	
	MTDO	MTDO	
UART	UORXD_in	Any GPIO pins	Two UART channels with hardware flow control and GDMA
	UOCTS_in		
	UODSR_in		
	UOTXD_out		
	UORTS_out		
	UODTR_out		
	U1RXD_in		
	U1CTS_in		
	U1DSR_in		
	U1TXD_out		
	U1RTS_out		
	U1DTR_out		

Interface	Signal	Pin	Function
LP UART	LP_UART_DTRN	XTAL_32K_P	One LP UART channel with hardware flow control and GDMA
	LP_UART_DSRN	XTAL_32K_N	
	LP_UART_RTSN	GPIO2	
	LP_UART_CTSN	GPIO3	
	LP_UART_RXD	MTMS	
	LP_UART_TXD	MTDI	
I2C	I2CEXT0_SCL_in	Any GPIO pins	One I2C channel in slave or master mode
	I2CEXT0_SDA_in		
	I2CEXT0_SCL_out		
	I2CEXT0_SDA_out		
LP I2C	LP_I2C_SDA	MTCK	One LP I2C channel in slave or master mode
	LP_I2C_SCL	MTDO	
LED PWM	ledc_ls_sig_out0~5	Any GPIO pins	Six independent PWM channels
I2S	I2SO0_BCK_in	Any GPIO pins	Stereo input and output from/to the audiocodec
	I2S_MCLK_in		
	I2SO_WS_in		
	I2SI_SD_in		
	I2SI_BCK_in		
	I2SI_WS_in		
	I2SO_BCK_out		
	I2S_MCLK_out		
	I2SO_WS_out		
	I2SO_SD_out		
	I2SI_BCK_out		
	I2SI_WS_out		
	I2SO_SD1_out		
Remote Control Peripheral	RMT_SIG_IN0~1	Any GPIO pins	Two channels for an IR transceiver of various waveforms
	RMT_SIG_OUT0~1		
SPI0/1	SPICLK_out_mux	SPICLK	Support Standard SPI, Dual SPI, Quad SPI, and QPI that allow connection to off-package flash
	SPICSO_out	SPICSO	
	SPICS1_out	Any GPIO pins	
	SPID_in/_out	SPID	
	SPIQ_in/_out	SPIQ	
	SPIWP_in/_out	SPIWP	
	SPIHD_in/_out	SPIHD	
SPI2	FSPICLK_in/_out_mux	Any GPIO pins	The following functionality is supported: <ul style="list-style-type: none"> • Master mode and slave mode of SPI, Dual SPI, Quad SPI, and QPI • Connection to off-package flash, RAM and other SPI devices • Four modes of SPI transfer format • Configurable SPI frequency • 64-byte FIFO or GDMA buffer
	FSPICSO_in/_out		
	FSPICS1~5_out		
	FSPID_in/_out		

Interface	Signal	Pin	Function
	FSPIQ_in/_out		
	FSPIWP_in/_out		
	FSPIHD_in/_out		
USB Serial/JTAG	USB_D+	GPIO13	USB-to-serial converter, and USB-to-JTAG converter
	USB_D-	GPIO12	
TWAI®	TWAI0_RX	Any GPIO pins	Compatible with ISO 11898-1 protocol
	TWAI0_TX		
	TWAI0_BUS_OFF_ON		
	TWAI0_CLKOUT		
	TWAI0_STANDBY		
	TWAI1_RX		
	TWAI1_TX		
	TWAI1_BUS_OFF_ON		
	TWAI1_CLKOUT		
	TWAI1_STANDBY		
Pulse Count Controller	PCNT_SIG_CH0_in0~3	Any GPIO pins	Captures pulses and counts pulse edges in seven modes
	PCNT_SIG_CH1_in0~3		
	PCNT_CTRL_CH0_in0~3		
	PCNT_CTRL_CH1_in0~3		
MCPWM	PWMO_SYNCO~2_in	Any GPIO pins	One MCPWM to generate: <ul style="list-style-type: none"> • differential PWM output signals • fault input signals to be detected • input signals to be captured • external synchronization signals for PWM timers
	PWMO_out0a		
	PWMO_out0b		
	PWMO_out1a		
	PWMO_FO~2_in		
	PWMO_out1b		
	PWMO_out2a		
	PWMO_out2b		
	PWMO_CAPO~2_in		
PARLIO	PARL_RX_DATA0~15	Any GPIO pins	A module for parallel data transfer, with <ul style="list-style-type: none"> • 16 pins to receive parallel data • 16 pins to transmit parallel data • 1 receiver clock pin (clock input) • 2 transmitter clock pins (clock input and output)
	PARL_TX_DATA0~15		
	PARL_RX_CLK_in		
	PARL_TX_CLK_in/_out		
SDIO	SDIO_CMD	SDIO_CMD	SDIO interface, conforming to the industry standard SDIO Specification Version 2.0
	SDIO_CLK	SDIO_CLK	
	SDIO_DATA0	SDIO_DATA0	
	SDIO_DATA1	SDIO_DATA1	
	SDIO_DATA2	SDIO_DATA2	

Interface	Signal	Pin	Function
	SDIO_DATA3	SDIO_DATA3	

5 Electrical Characteristics

5.1 Absolute Maximum Ratings

Stresses above those listed in Table 11 *Absolute Maximum Ratings* may cause permanent damage to the device. These are stress ratings only and functional operation of the device at these or any other conditions beyond those indicated under Table 12 *Recommended Operating Conditions* is not implied. Exposure to absolute-maximum-rated conditions for extended periods may affect device reliability.

Table 11: Absolute Maximum Ratings

Symbol	Parameter	Min	Max	Unit
VDD33	Power supply voltage	-0.3	3.6	V
T _{STORE}	Storage temperature	-40	105	°C

5.2 Recommended Operating Conditions

Table 12: Recommended Operating Conditions

Symbol	Parameter	Min	Typ	Max	Unit
VDD33	Power supply voltage	3.0	3.3	3.6	V
I _{VDD}	Current delivered by external power supply	0.5	—	—	A
T _A	Operating ambient temperature	85 °C version	-40	85	°C
		105 °C version		105	

5.3 DC Characteristics (3.3 V, 25 °C)

Table 13: DC Characteristics (3.3 V, 25 °C)

Symbol	Parameter	Min	Typ	Max	Unit
C _{IN}	Pin capacitance	—	2	—	pF
V _{IH}	High-level input voltage	0.75 × VDD ¹	—	VDD ¹ + 0.3	V
V _{IL}	Low-level input voltage	-0.3	—	0.25 × VDD ¹	V
I _{IH}	High-level input current	—	—	50	nA
I _{IL}	Low-level input current	—	—	50	nA
V _{OH} ²	High-level output voltage	0.8 × VDD ¹	—	—	V
V _{OL} ²	Low-level output voltage	—	—	0.1 × VDD ¹	V
I _{OH}	High-level source current (VDD ¹ = 3.3 V, V _{OH} ≥ 2.64 V, PAD_DRIVER = 3)	—	40	—	mA
I _{OL}	Low-level sink current (VDD ¹ = 3.3 V, V _{OL} = 0.495 V, PAD_DRIVER = 3)	—	28	—	mA
R _{PU}	Pull-up resistor	—	45	—	kΩ
R _{PD}	Pull-down resistor	—	45	—	kΩ
V _{IH_nRST}	Chip reset release voltage	0.75 × VDD ¹	—	VDD ¹ + 0.3	V
V _{IL_nRST}	Chip reset voltage	-0.3	—	0.25 × VDD ¹	V

¹ VDD is the I/O voltage for pins of a particular power domain.

² V_{OH} and V_{OL} are measured using high-impedance load.

5.4 Current Consumption Characteristics

5.4.1 Current Consumption in Active Mode

The current consumption measurements are taken with a 3.3 V supply at 25 °C ambient temperature.

TX current consumption is rated at a 100% duty cycle.

RX current consumption is rated when the peripherals are disabled and the CPU idle.

Table 14: Current Consumption for Wi-Fi (2.4 GHz) in Active Mode

Work Mode	RF Condition	Description	Peak (mA)
Active (RF working)	TX	802.11b, 1 Mbps, DSSS @ 20.5 dBm	382
		802.11g, 54 Mbps, OFDM @ 19.0 dBm	316
		802.11n, HT20, MCS7 @ 18.0 dBm	295
		802.11n, HT40, MCS7 @ 17.5 dBm	280
		802.11ax, MCS9 @ 15.5 dBm	251
	RX	802.11b/g/n, HT20	78
		802.11n, HT40	82
		802.11ax, HE20	78

Table 15: Current Consumption for Bluetooth LE in Active Mode

Work Mode	RF Condition	Description	Peak (mA)
Active (RF working)	TX	Bluetooth LE @ 19.0 dBm	309
		Bluetooth LE @ 9.0 dBm	189
		Bluetooth LE @ 0 dBm	131
		Bluetooth LE @ -16.0 dBm	94
	RX	Bluetooth LE	73

Table 16: Current Consumption for 802.15.4 in Active Mode

Work Mode	RF Condition	Description	Peak (mA)
Active (RF working)	TX	802.15.4 @ 19.0 dBm	305
		802.15.4 @ 12.0 dBm	190
		802.15.4 @ 0 dBm	120
		802.15.4 @ -16.0 dBm	86
	RX	802.15.4	73

Note:

The content below is excerpted from *Section Current Consumption in Other Modes* in [ESP32-C6 Series Datasheet](#).

5.4.2 Current Consumption in Other Modes

Table 17: Current Consumption in Modem-sleep Mode

Mode	CPU Frequency (MHz)	Description	Typ (mA)	
			All Peripherals Clocks Disabled	All Peripherals Clocks Enabled ¹
Modem-sleep ^{2,3}	160	CPU is running	27	38
		CPU is idle	17	28
	80	CPU is running	19	30
		CPU is idle	14	25

¹ In practice, the current consumption might be different depending on which peripherals are enabled.

² In Modem-sleep mode, Wi-Fi is clock gated.

³ In Modem-sleep mode, the consumption might be higher when accessing flash.

Table 18: Current Consumption in Low-Power Modes

Mode	Description	Typ (μ A)
Light-sleep	CPU and wireless communication modules are powered down, peripheral clocks are disabled, and all GPIOs are high-impedance	180
	CPU, wireless communication modules and peripherals are powered down, and all GPIOs are high-impedance	35
Deep-sleep	RTC timer and LP memory are powered on	7
Power off	CHIP_PU is set to low level, the chip is powered off	1

6 RF Characteristics

This section contains tables with RF characteristics of the Espressif product.

The RF data is measured at the antenna port, where RF cable is connected, including the front-end loss. The external antennas used for the tests on the modules with external antenna connectors have an impedance of 50 Ω . Devices should operate in the center frequency range allocated by regional regulatory authorities. The target center frequency range and the target transmit power are configurable by software. See [ESP RF Test Tool and Test Guide](#) for instructions.

Unless otherwise stated, the RF tests are conducted with a 3.3 V ($\pm 5\%$) supply at 25 °C ambient temperature.

6.1 Wi-Fi Radio

Table 19: Wi-Fi RF Characteristics

Name	Description
Center frequency range of operating channel	2412 ~ 2484 MHz
Wi-Fi wireless standard	IEEE 802.11b/g/n/ax

6.1.1 Wi-Fi RF Transmitter (TX) Characteristics

Table 20: TX Power with Spectral Mask and EVM Meeting 802.11 Standards

Rate	Min (dBm)	Typ (dBm)	Max (dBm)
802.11b, 1 Mbps, DSSS	—	20.5	—
802.11b, 11 Mbps, CCK	—	20.5	—
802.11g, 6 Mbps, OFDM	—	20.0	—
802.11g, 54 Mbps, OFDM	—	19.0	—
802.11n, HT20, MCS0	—	19.0	—
802.11n, HT20, MCS7	—	18.0	—
802.11n, HT40, MCS0	—	18.5	—
802.11n, HT40, MCS7	—	17.5	—
802.11ax, HE20, MCS0	—	19.0	—
802.11ax, HE20, MCS9	—	15.5	—

Table 21: TX EVM Test¹

Rate	Min (dB)	Typ (dB)	Limit (dB)
802.11b, 1 Mbps, DSSS	—	-25.0	-10.0
802.11b, 11 Mbps, CCK	—	-25.0	-10.0
802.11g, 6 Mbps, OFDM	—	-24.0	-5.0

Cont'd on next page

Table 21 – cont'd from previous page

Rate	Min (dB)	Typ (dB)	Limit (dB)
802.11g, 54 Mbps, OFDM	—	-28.0	-25.0
802.11n, HT20, MCS0	—	-27.5	-5.0
802.11n, HT20, MCS7	—	-30.0	-27.0
802.11n, HT40, MCS0	—	-27.0	-5.0
802.11n, HT40, MCS7	—	-29.5	-27.0
802.11ax, HE20, MCS0	—	-27.0	-5.0
802.11ax, HE20, MCS9	—	-34.0	-32.0

¹ EVM is measured at the corresponding typical TX power provided in Table 20 *Wi-Fi RF Transmitter (TX) Characteristics* above.

6.1.2 Wi-Fi RF Receiver (RX) Characteristics

For RX tests, the PER (packet error rate) limit is 8% for 802.11b, and 10% for 802.11g/n/ax.

Table 22: RX Sensitivity

Rate	Min (dBm)	Typ (dBm)	Max (dBm)
802.11b, 1 Mbps, DSSS	—	-99.2	—
802.11b, 2 Mbps, DSSS	—	-96.8	—
802.11b, 5.5 Mbps, CCK	—	-93.6	—
802.11b, 11 Mbps, CCK	—	-90.0	—
802.11g, 6 Mbps, OFDM	—	-94.0	—
802.11g, 9 Mbps, OFDM	—	-93.0	—
802.11g, 12 Mbps, OFDM	—	-92.4	—
802.11g, 18 Mbps, OFDM	—	-90.0	—
802.11g, 24 Mbps, OFDM	—	-86.8	—
802.11g, 36 Mbps, OFDM	—	-83.0	—
802.11g, 48 Mbps, OFDM	—	-78.8	—
802.11g, 54 Mbps, OFDM	—	-77.6	—
802.11n, HT20, MCS0	—	-93.6	—
802.11n, HT20, MCS1	—	-92.0	—
802.11n, HT20, MCS2	—	-89.4	—
802.11n, HT20, MCS3	—	-86.0	—
802.11n, HT20, MCS4	—	-82.8	—
802.11n, HT20, MCS5	—	-78.6	—
802.11n, HT20, MCS6	—	-77.0	—
802.11n, HT20, MCS7	—	-75.4	—
802.11n, HT40, MCS0	—	-91.0	—
802.11n, HT40, MCS1	—	-89.6	—
802.11n, HT40, MCS2	—	-87.0	—

Cont'd on next page

Table 22 – cont'd from previous page

Rate	Min (dBm)	Typ (dBm)	Max (dBm)
802.11n, HT40, MCS3	—	-83.4	—
802.11n, HT40, MCS4	—	-80.4	—
802.11n, HT40, MCS5	—	-76.2	—
802.11n, HT40, MCS6	—	-74.6	—
802.11n, HT40, MCS7	—	-73.2	—
802.11ax, HE20, MCS0	—	-93.8	—
802.11ax, HE20, MCS1	—	-91.0	—
802.11ax, HE20, MCS2	—	-88.0	—
802.11ax, HE20, MCS3	—	-85.6	—
802.11ax, HE20, MCS4	—	-82.0	—
802.11ax, HE20, MCS5	—	-78.0	—
802.11ax, HE20, MCS6	—	-76.6	—
802.11ax, HE20, MCS7	—	-74.4	—
802.11ax, HE20, MCS8	—	-70.8	—
802.11ax, HE20, MCS9	—	-68.6	—

Table 23: Maximum RX Level

Rate	Min (dBm)	Typ (dBm)	Max (dBm)
802.11b, 1 Mbps, DSSS	—	5	—
802.11b, 11 Mbps, CCK	—	5	—
802.11g, 6 Mbps, OFDM	—	5	—
802.11g, 54 Mbps, OFDM	—	0	—
802.11n, HT20, MCS0	—	5	—
802.11n, HT20, MCS7	—	0	—
802.11n, HT40, MCS0	—	5	—
802.11n, HT40, MCS7	—	0	—
802.11ax, HE20, MCS0	—	5	—
802.11ax, HE20, MCS9	—	0	—

Table 24: RX Adjacent Channel Rejection

Rate	Min (dB)	Typ (dB)	Max (dB)
802.11b, 1 Mbps, DSSS	—	38	—
802.11b, 11 Mbps, CCK	—	38	—
802.11g, 6 Mbps, OFDM	—	31	—
802.11g, 54 Mbps, OFDM	—	20	—
802.11n, HT20, MCS0	—	31	—

Cont'd on next page

Table 24 – cont'd from previous page

Rate	Min (dB)	Typ (dB)	Max (dB)
802.11n, HT20, MCS7	—	16	—
802.11n, HT40, MCS0	—	28	—
802.11n, HT40, MCS7	—	10	—
802.11ax, HE20, MCS0	—	25	—
802.11ax, HE20, MCS9	—	2	—

6.2 Bluetooth 5 (LE) Radio

Table 25: Bluetooth LE RF Characteristics

Name	Description
Center frequency range of operating channel	2402 ~ 2480 MHz
RF transmit power range	-16.0 ~ 19.0 dBm

6.2.1 Bluetooth LE RF Transmitter (TX) Characteristics

Table 26: Bluetooth LE - Transmitter Characteristics - 1 Mbps

Parameter	Description	Min	Typ	Max	Unit
Carrier frequency offset and drift	Max. $ f_n _{n=0, 1, 2, 3, \dots, k}$	—	1.3	—	kHz
	Max. $ f_0 - f_n _{n=2, 3, 4, \dots, k}$	—	1.5	—	kHz
	Max. $ f_n - f_{n-5} _{n=6, 7, 8, \dots, k}$	—	0.9	—	kHz
	$ f_1 - f_0 $	—	0.6	—	kHz
Modulation characteristics	$\Delta F1_{avg}$	—	249.9	—	kHz
	Min. $\Delta F2_{max}$ (for at least 99.9% of all $\Delta F2_{max}$)	—	212.1	—	kHz
	$\Delta F2_{avg}/\Delta F1_{avg}$	—	0.88	—	—
In-band emissions	± 2 MHz offset	—	-29	—	dBm
	± 3 MHz offset	—	-36	—	dBm
	$> \pm 3$ MHz offset	—	-39	—	dBm

Table 27: Bluetooth LE - Transmitter Characteristics - 2 Mbps

Parameter	Description	Min	Typ	Max	Unit
Carrier frequency offset and drift	Max. $ f_n _{n=0, 1, 2, 3, \dots, k}$	—	2.2	—	kHz
	Max. $ f_0 - f_n _{n=2, 3, 4, \dots, k}$	—	1.1	—	kHz
	Max. $ f_n - f_{n-5} _{n=6, 7, 8, \dots, k}$	—	1.1	—	kHz
	$ f_1 - f_0 $	—	0.5	—	kHz
Modulation characteristics	$\Delta F1_{avg}$	—	499.4	—	kHz

Cont'd on next page

Table 27 – cont'd from previous page

Parameter	Description	Min	Typ	Max	Unit
	Min. $\Delta F2_{\max}$ (for at least 99.9% of all $\Delta F2_{\max}$)	—	443.5	—	kHz
	$\Delta F2_{\text{avg}}/\Delta F1_{\text{avg}}$	—	0.95	—	—
In-band emissions	± 4 MHz offset	—	-40	—	dBm
	± 5 MHz offset	—	-41	—	dBm
	$> \pm 5$ MHz offset	—	-42	—	dBm

Table 28: Bluetooth LE - Transmitter Characteristics - 125 Kbps

Parameter	Description	Min	Typ	Max	Unit
Carrier frequency offset and drift	Max. $ f_n _{n=0, 1, 2, 3, \dots, k}$	—	0.7	—	kHz
	Max. $ f_0 - f_n _{n=1, 2, 3, \dots, k}$	—	0.3	—	kHz
	$ f_0 - f_3 $	—	0.1	—	kHz
	Max. $ f_n - f_{n-3} _{n=7, 8, 9, \dots, k}$	—	0.4	—	kHz
Modulation characteristics	$\Delta F1_{\text{avg}}$	—	250.0	—	kHz
	Min. $\Delta F1_{\max}$ (for at least 99.9% of all $\Delta F1_{\max}$)	—	238.0	—	kHz
In-band emissions	± 2 MHz offset	—	-29	—	dBm
	± 3 MHz offset	—	-36	—	dBm
	$> \pm 3$ MHz offset	—	-39	—	dBm

Table 29: Bluetooth LE - Transmitter Characteristics - 500 Kbps

Parameter	Description	Min	Typ	Max	Unit
Carrier frequency offset and drift	Max. $ f_n _{n=0, 1, 2, 3, \dots, k}$	—	0.5	—	kHz
	Max. $ f_0 - f_n _{n=1, 2, 3, \dots, k}$	—	0.3	—	kHz
	$ f_0 - f_3 $	—	0.1	—	kHz
	Max. $ f_n - f_{n-3} _{n=7, 8, 9, \dots, k}$	—	0.4	—	kHz
Modulation characteristics	$\Delta F2_{\text{avg}}$	—	230.7	—	kHz
	Min. $\Delta F2_{\max}$ (for at least 99.9% of all $\Delta F2_{\max}$)	—	217.6	—	kHz
In-band emissions	± 2 MHz offset	—	-28	—	dBm
	± 3 MHz offset	—	-36	—	dBm
	$> \pm 3$ MHz offset	—	-39	—	dBm

6.2.2 Bluetooth LE RF Receiver (RX) Characteristics

Table 30: Bluetooth LE - Receiver Characteristics - 1 Mbps

Parameter	Description	Min	Typ	Max	Unit
Sensitivity @30.8% PER	—	—	-98.0	—	dBm
Maximum received signal @30.8% PER	—	—	8	—	dBm

Cont'd on next page

Table 30 – cont'd from previous page

Parameter		Description	Min	Typ	Max	Unit
C/I and receiver selectivity performance	Co-channel	$F = F_0$ MHz	—	7	—	dB
	Adjacent channel	$F = F_0 + 1$ MHz	—	4	—	dB
		$F = F_0 - 1$ MHz	—	3	—	dB
		$F = F_0 + 2$ MHz	—	-21	—	dB
		$F = F_0 - 2$ MHz	—	-22	—	dB
		$F = F_0 + 3$ MHz	—	-28	—	dB
		$F = F_0 - 3$ MHz	—	-36	—	dB
		$F \geq F_0 + 4$ MHz	—	-27	—	dB
		$F \leq F_0 - 4$ MHz	—	-36	—	dB
	Image frequency	—	—	-26	—	dB
Adjacent channel to image frequency	$F = F_{image} + 1$ MHz	—	-29	—	dB	
	$F = F_{image} - 1$ MHz	—	-28	—	dB	
Out-of-band blocking performance		30 MHz ~ 2000 MHz	—	-16	—	dBm
		2003 MHz ~ 2399 MHz	—	-24	—	dBm
		2484 MHz ~ 2997 MHz	—	-16	—	dBm
		3000 MHz ~ 12.75 GHz	—	-1	—	dBm
Intermodulation		—	—	-27	—	dBm

Table 31: Bluetooth LE - Receiver Characteristics - 2 Mbps

Parameter		Description	Min	Typ	Max	Unit
Sensitivity @30.8% PER		—	—	-95.0	—	dBm
Maximum received signal @30.8% PER		—	—	8	—	dBm
C/I and receiver selectivity performance	Co-channel	$F = F_0$ MHz	—	8	—	dB
	Adjacent channel	$F = F_0 + 2$ MHz	—	3	—	dB
		$F = F_0 - 2$ MHz	—	2	—	dB
		$F = F_0 + 4$ MHz	—	-23	—	dB
		$F = F_0 - 4$ MHz	—	-25	—	dB
		$F = F_0 + 6$ MHz	—	-31	—	dB
		$F = F_0 - 6$ MHz	—	-35	—	dB
		$F \geq F_0 + 8$ MHz	—	-36	—	dB
		$F \leq F_0 - 8$ MHz	—	-36	—	dB
	Image frequency	—	—	-23	—	dB
Adjacent channel to image frequency	$F = F_{image} + 2$ MHz	—	-30	—	dB	
	$F = F_{image} - 2$ MHz	—	3	—	dB	
Out-of-band blocking performance		30 MHz ~ 2000 MHz	—	-18	—	dBm
		2003 MHz ~ 2399 MHz	—	-28	—	dBm
		2484 MHz ~ 2997 MHz	—	-16	—	dBm
		3000 MHz ~ 12.75 GHz	—	-1	—	dBm
Intermodulation		—	—	-29	—	dBm

Table 32: Bluetooth LE - Receiver Characteristics - 125 Kbps

Parameter	Description	Min	Typ	Max	Unit	
Sensitivity @30.8% PER	—	—	-105.5	—	dBm	
Maximum received signal @30.8% PER	—	—	8	—	dBm	
C/I and receiver selectivity performance	Co-channel	$F = F_0$ MHz	—	2	—	dB
	Adjacent channel	$F = F_0 + 1$ MHz	—	-1	—	dB
		$F = F_0 - 1$ MHz	—	-3	—	dB
		$F = F_0 + 2$ MHz	—	-31	—	dB
		$F = F_0 - 2$ MHz	—	-27	—	dB
		$F = F_0 + 3$ MHz	—	-33	—	dB
		$F = F_0 - 3$ MHz	—	-42	—	dB
		$F \geq F_0 + 4$ MHz	—	-31	—	dB
		$F \leq F_0 - 4$ MHz	—	-48	—	dB
	Image frequency	—	—	-31	—	dB
Adjacent channel to image frequency	$F = F_{image} + 1$ MHz	—	-36	—	dB	
	$F = F_{image} - 1$ MHz	—	-33	—	dB	

Table 33: Bluetooth LE - Receiver Characteristics - 500 Kbps

Parameter	Description	Min	Typ	Max	Unit	
Sensitivity @30.8% PER	—	—	-101.5	—	dBm	
Maximum received signal @30.8% PER	—	—	8	—	dBm	
C/I and receiver selectivity performance	Co-channel	$F = F_0$ MHz	—	4	—	dB
	Adjacent channel	$F = F_0 + 1$ MHz	—	1	—	dB
		$F = F_0 - 1$ MHz	—	-1	—	dB
		$F = F_0 + 2$ MHz	—	-23	—	dB
		$F = F_0 - 2$ MHz	—	-24	—	dB
		$F = F_0 + 3$ MHz	—	-33	—	dB
		$F = F_0 - 3$ MHz	—	-41	—	dB
		$F \geq F_0 + 4$ MHz	—	-31	—	dB
		$F \leq F_0 - 4$ MHz	—	-41	—	dB
	Image frequency	—	—	-30	—	dB
Adjacent channel to image frequency	$F = F_{image} + 1$ MHz	—	-35	—	dB	
	$F = F_{image} - 1$ MHz	—	-27	—	dB	

6.3 802.15.4 Radio

Table 34: 802.15.4 RF Characteristics

Name	Description
Center frequency range of operating channel	2405 ~ 2480 MHz

¹ Zigbee in the 2.4 GHz range supports 16 channels at 5 MHz spacing from channel 11 to channel 26.

6.3.1 802.15.4 RF Transmitter (TX) Characteristics

Table 35: 802.15.4 Transmitter Characteristics - 250 Kbps

Parameter	Min	Typ	Max	Unit
RF transmit power range	-16.0	—	19.0	dBm
EVM	—	13%	—	—

6.3.2 802.15.4 RF Receiver (RX) Characteristics

Table 36: 802.15.4 Receiver Characteristics - 250 Kbps

Parameter	Description	Min	Typ	Max	Unit	
Sensitivity @1% PER	—	—	-104.0	—	dBm	
Maximum received signal @1% PER	—	—	8	—	dBm	
Relative jamming level	Adjacent channel	$F = F_0 + 5 \text{ MHz}$	—	27	—	dB
		$F = F_0 - 5 \text{ MHz}$	—	32	—	dB
	Alternate channel	$F = F_0 + 10 \text{ MHz}$	—	47	—	dB
		$F = F_0 - 10 \text{ MHz}$	—	50	—	dB

7 Module Schematics

This is the reference design of the module.

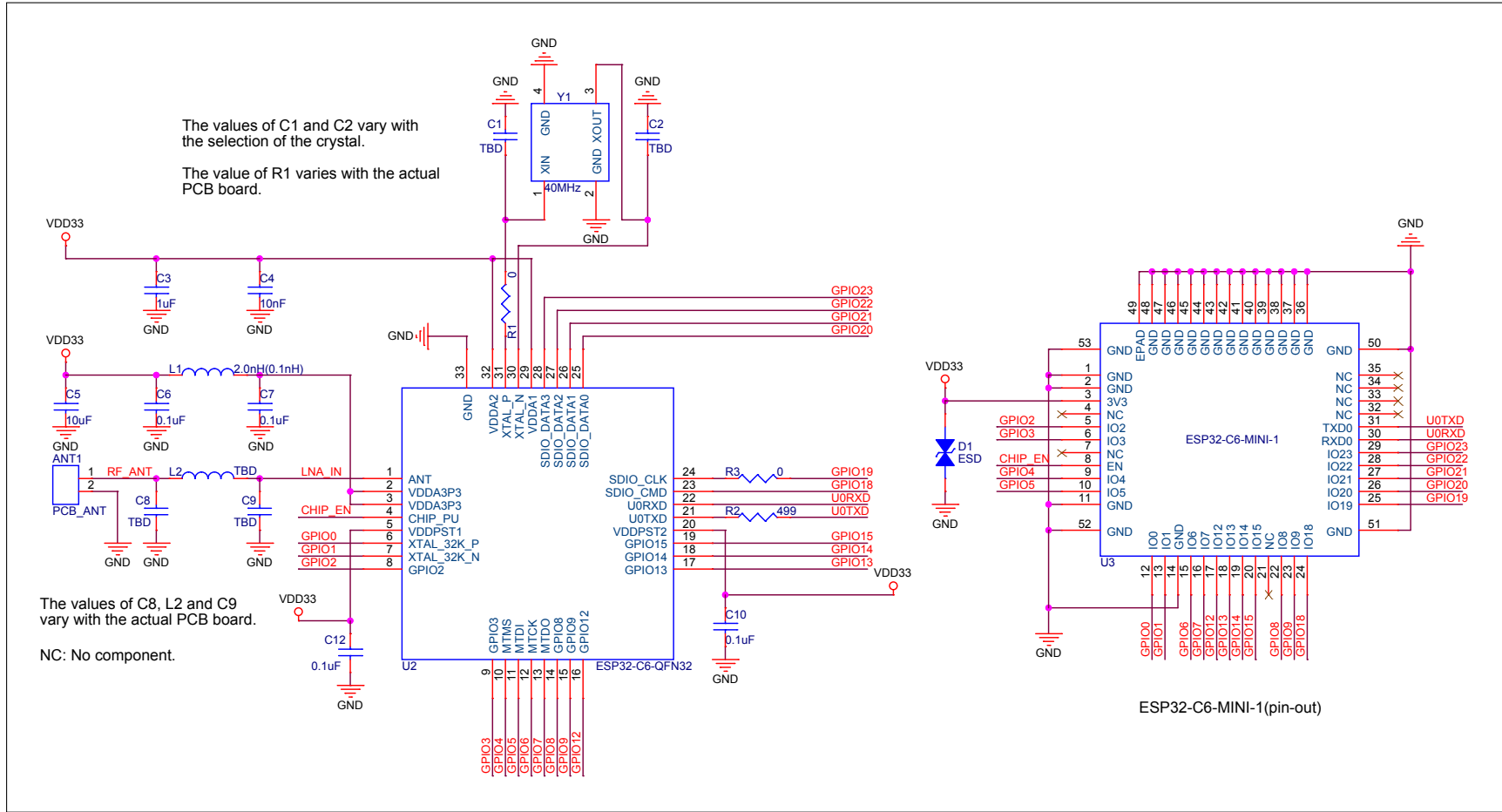


Figure 5: ESP32-C6-MINI-1 Schematics

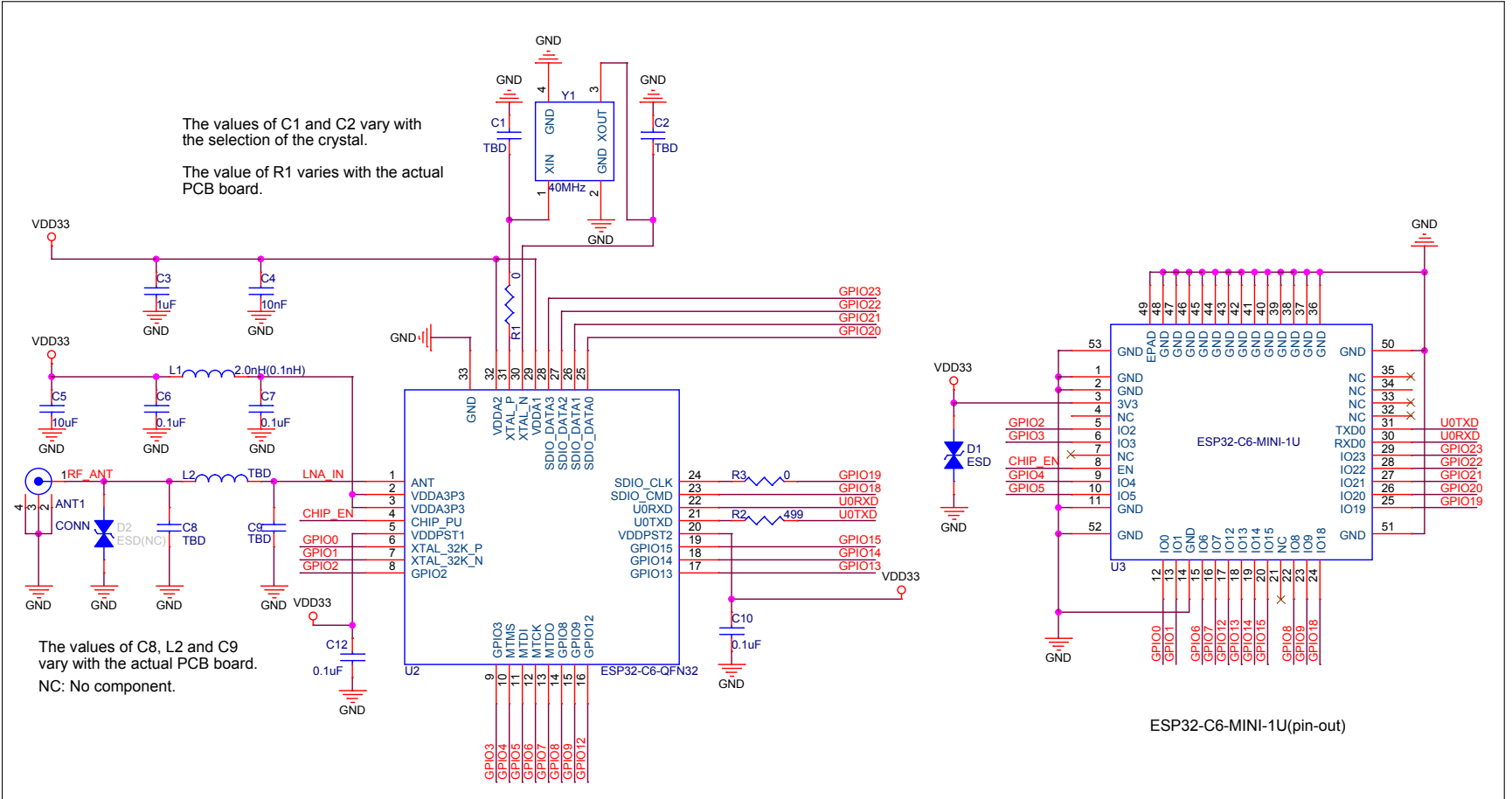


Figure 6: ESP32-C6-MINI-1U Schematics

8 Peripheral Schematics

This is the typical application circuit of the module connected with peripheral components (for example, power supply, antenna, reset button, JTAG interface, and UART interface).

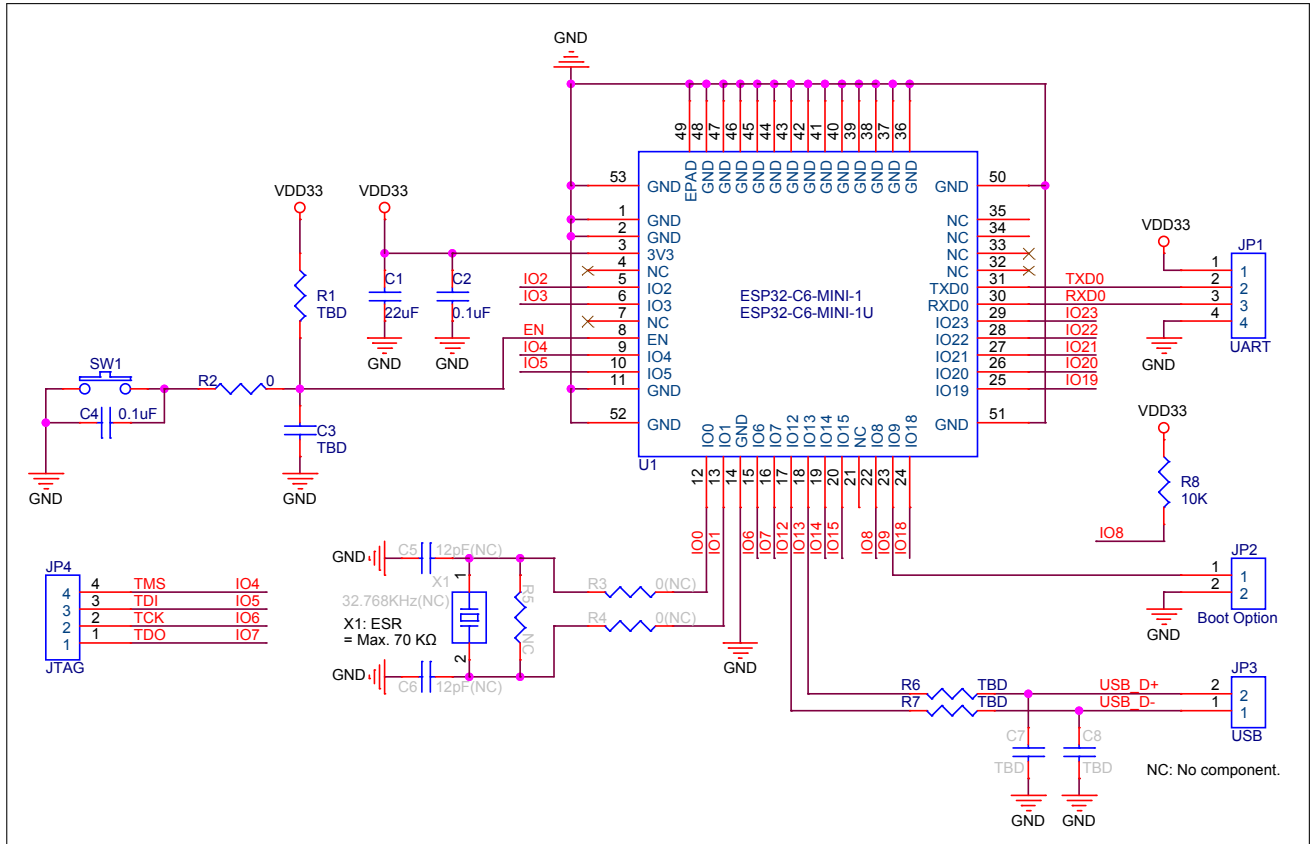


Figure 7: Peripheral Schematics

- Soldering the EPAD to the ground of the base board is not a must, however, it can optimize thermal performance. If you choose to solder it, please apply the correct amount of soldering paste. Too much soldering paste may increase the gap between the module and the baseboard. As a result, the adhesion between other pins and the baseboard may be poor.
- To ensure that the power supply to the ESP32-C6 chip is stable during power-up, it is advised to add an RC delay circuit at the EN pin. The recommended setting for the RC delay circuit is usually $R = 10\text{ k}\Omega$ and $C = 1\text{ }\mu\text{F}$. However, specific parameters should be adjusted based on the power-up timing of the module and the power-up and reset sequence timing of the chip. For ESP32-C6's power-up and reset sequence timing diagram, please refer to [ESP32-C6 Series Datasheet](#) > Section *Power Supply*.

9 Physical Dimensions and PCB Land Pattern

9.1 Physical Dimensions

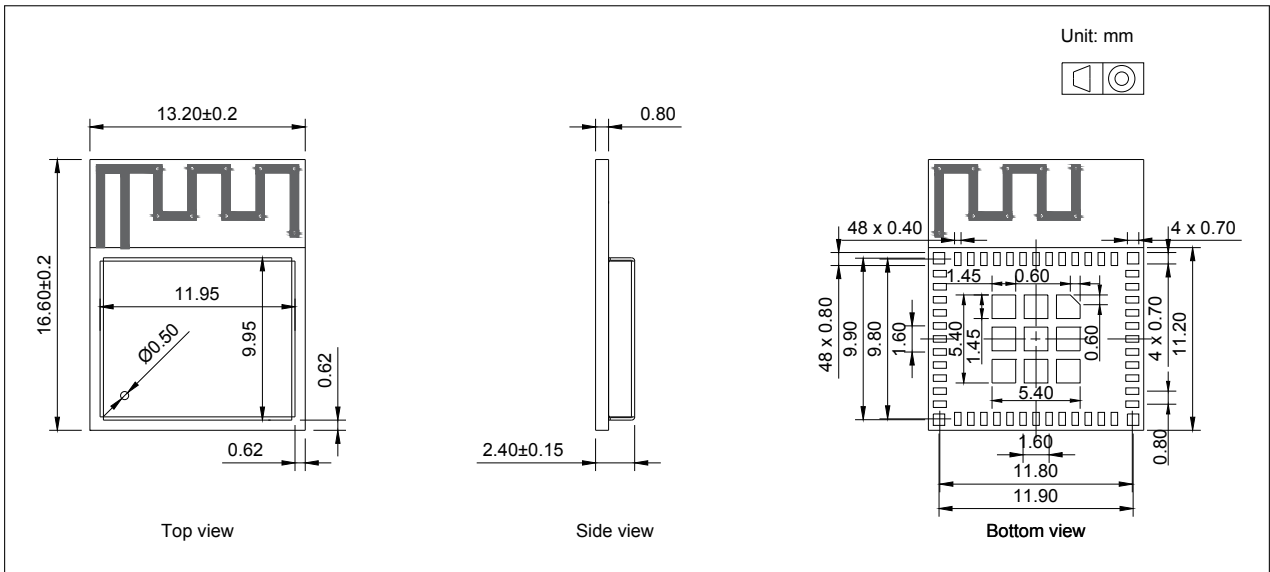


Figure 8: ESP32-C6-MINI-1 Physical Dimensions

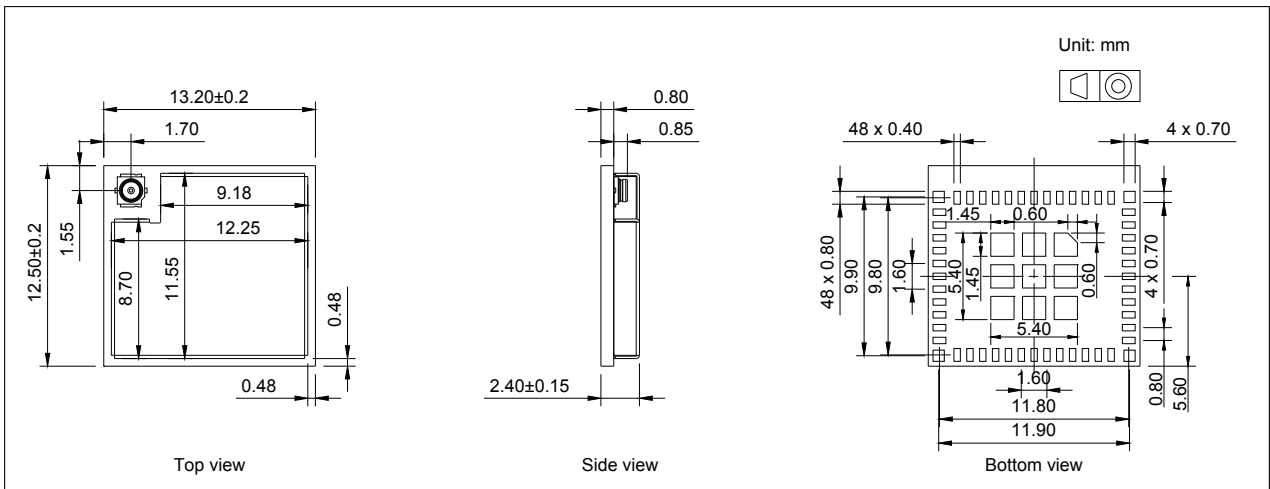


Figure 9: ESP32-C6-MINI-1U Physical Dimensions

Note:

For information about tape, reel, and product marking, please refer to [Espressif Module Packaging Information](#).

9.2 Recommended PCB Land Pattern

This section provides the following resources for your reference:

- Figures for recommended PCB land patterns with all the dimensions needed for PCB design. See Figure 10 *ESP32-C6-MINI-1 Recommended PCB Land Pattern* and Figure 11 *ESP32-C6-MINI-1U Recommended PCB Land Pattern*.
- Source files of recommended PCB land patterns to measure dimensions not covered in Figure 10 and Figure 11. You can view the source files for [ESP32-C6-MINI-1](#) and [ESP32-C6-MINI-1U](#) with [Autodesk Viewer](#).
- 3D models of [ESP32-C6-MINI-1](#) and [ESP32-C6-MINI-1U](#). Please make sure that you download the 3D model file in .STEP format (beware that some browsers might add .txt).

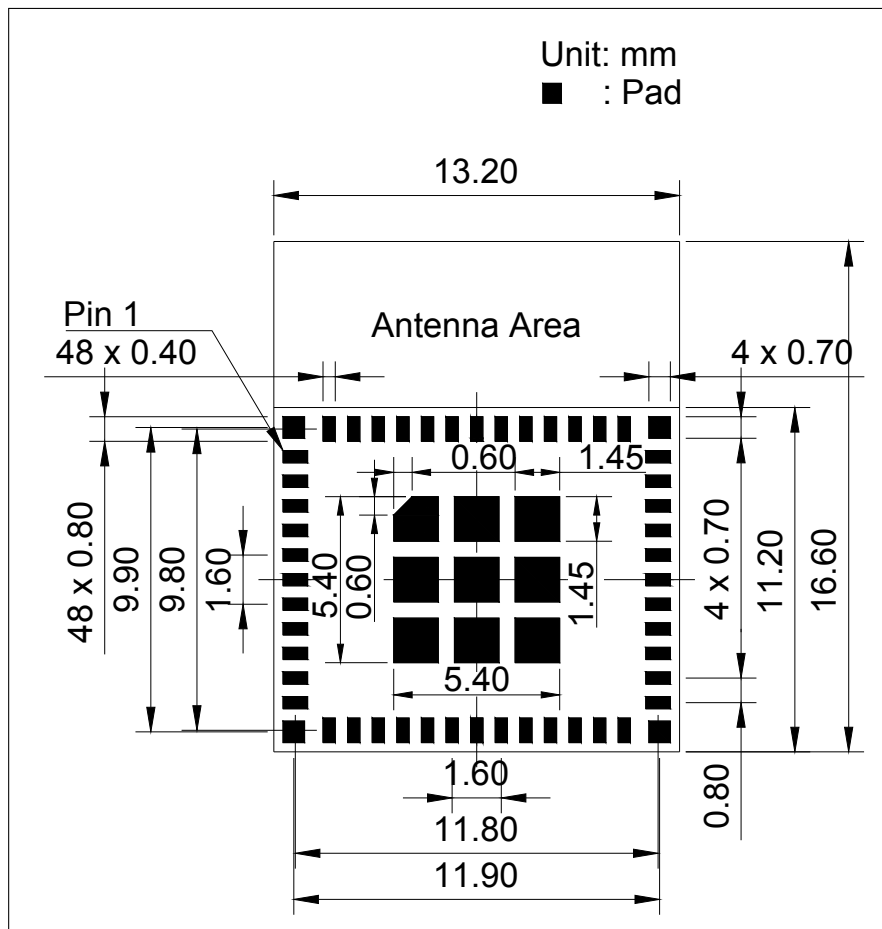


Figure 10: ESP32-C6-MINI-1 Recommended PCB Land Pattern

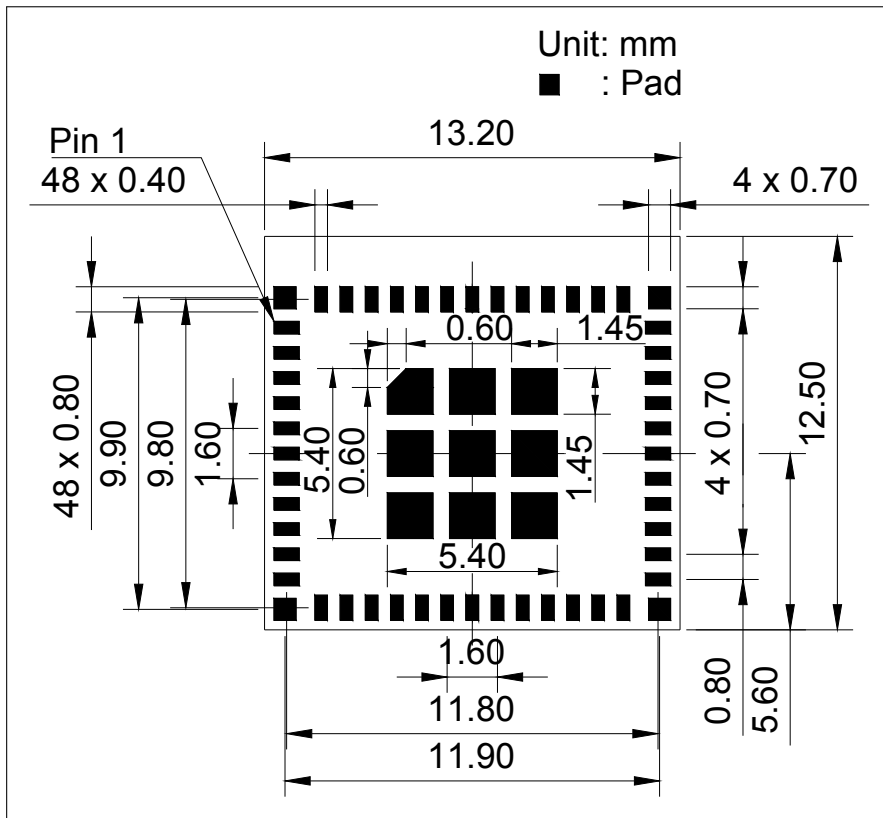


Figure 11: ESP32-C6-MINI-1U Recommended PCB Land Pattern

9.3 Dimensions of External Antenna Connector

ESP32-C6-MINI-1U uses the third generation external antenna connector as shown in Figure 12 *Dimensions of External Antenna Connector*. This connector is compatible with the following connectors:

- W.FL Series connector from Hirose
- MHF III connector from I-PEX
- AMMC connector from Amphenol

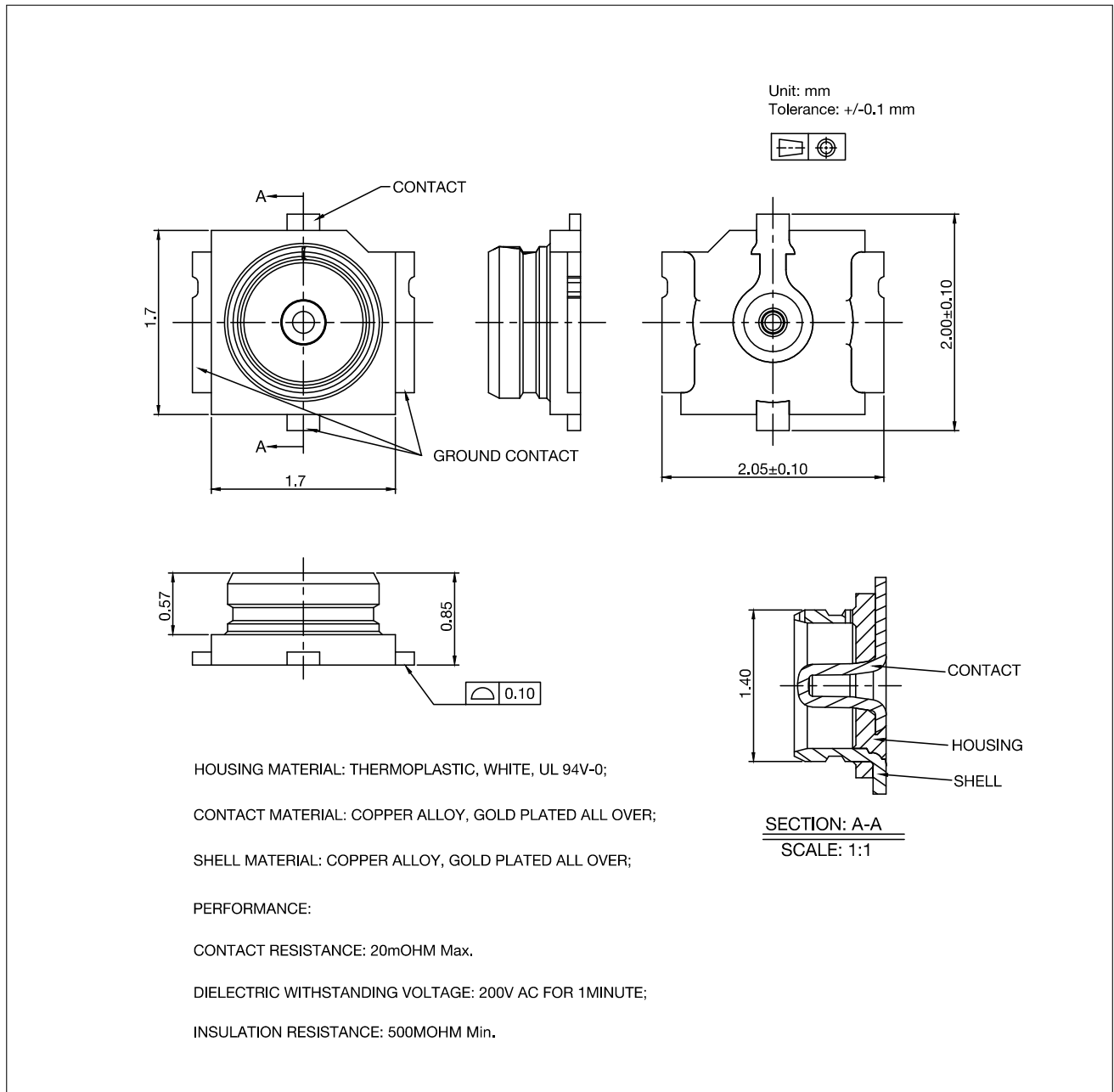


Figure 12: Dimensions of External Antenna Connector

10 Product Handling

10.1 Storage Conditions

The products sealed in moisture barrier bags (MBB) should be stored in a non-condensing atmospheric environment of $< 40\text{ }^{\circ}\text{C}$ and 90%RH. The module is rated at the moisture sensitivity level (MSL) of 3.

After unpacking, the module must be soldered within 168 hours with the factory conditions $25\pm 5\text{ }^{\circ}\text{C}$ and 60%RH. If the above conditions are not met, the module needs to be baked.

10.2 Electrostatic Discharge (ESD)

- Human body model (HBM): $\pm 2000\text{ V}$
- Charged-device model (CDM): $\pm 500\text{ V}$

10.3 Soldering Profile

10.3.1 Reflow Profile

Solder the module in a single reflow.

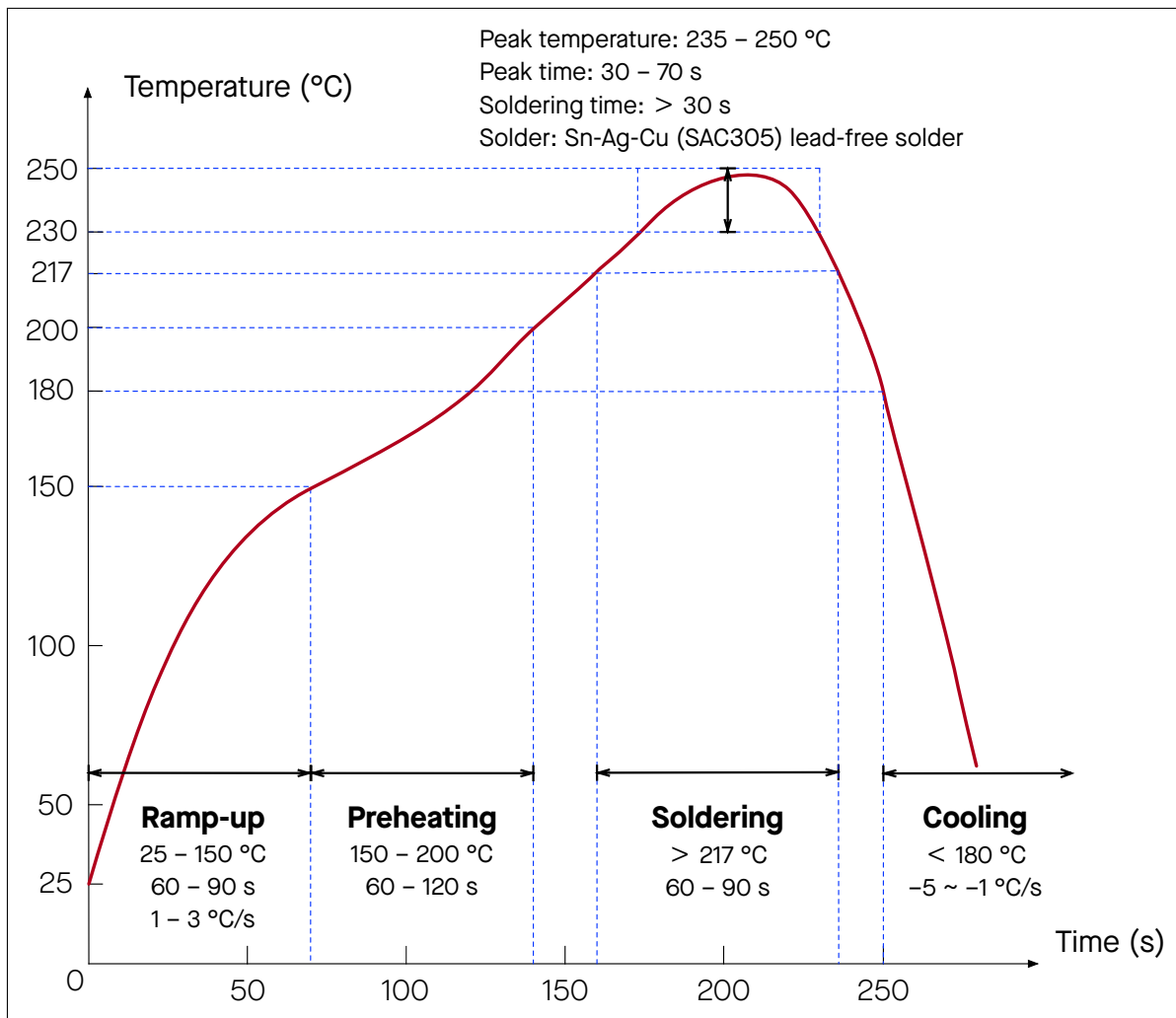


Figure 13: Reflow Profile

10.4 Ultrasonic Vibration

Avoid exposing Espressif modules to vibration from ultrasonic equipment, such as ultrasonic welders or ultrasonic cleaners. This vibration may induce resonance in the in-module crystal and lead to its malfunction or even failure. As a consequence, **the module may stop working or its performance may deteriorate.**

Related Documentation and Resources

Related Documentation

- [ESP32-C6 Series Datasheet](#) – Specifications of the ESP32-C6 hardware.
- [ESP32-C6 Technical Reference Manual](#) – Detailed information on how to use the ESP32-C6 memory and peripherals.
- [ESP32-C6 Hardware Design Guidelines](#) – Guidelines on how to integrate the ESP32-C6 into your hardware product.
- *Certificates*
<https://espressif.com/en/support/documents/certificates>
- *ESP32-C6 Product/Process Change Notifications (PCN)*
<https://espressif.com/en/support/documents/pcns?keys=ESP32-C6>
- *Documentation Updates and Update Notification Subscription*
<https://espressif.com/en/support/download/documents>

Developer Zone

- [ESP-IDF Programming Guide for ESP32-C6](#) – Extensive documentation for the ESP-IDF development framework.
- *ESP-IDF* and other development frameworks on GitHub.
<https://github.com/espressif>
- *ESP32 BBS Forum* – Engineer-to-Engineer (E2E) Community for Espressif products where you can post questions, share knowledge, explore ideas, and help solve problems with fellow engineers.
<https://esp32.com/>
- *The ESP Journal* – Best Practices, Articles, and Notes from Espressif folks.
<https://blog.espressif.com/>
- See the tabs *SDKs and Demos, Apps, Tools, AT Firmware*.
<https://espressif.com/en/support/download/sdks-demos>

Products

- *ESP32-C6 Series SoCs* – Browse through all ESP32-C6 SoCs.
<https://espressif.com/en/products/socs?id=ESP32-C6>
- *ESP32-C6 Series Modules* – Browse through all ESP32-C6-based modules.
<https://espressif.com/en/products/modules?id=ESP32-C6>
- *ESP32-C6 Series DevKits* – Browse through all ESP32-C6-based devkits.
<https://espressif.com/en/products/devkits?id=ESP32-C6>
- *ESP Product Selector* – Find an Espressif hardware product suitable for your needs by comparing or applying filters.
<https://products.espressif.com/#/product-selector?language=en>

Contact Us

- See the tabs *Sales Questions, Technical Enquiries, Circuit Schematic & PCB Design Review, Get Samples* (Online stores), *Become Our Supplier, Comments & Suggestions*.
<https://espressif.com/en/contact-us/sales-questions>

Revision History

Date	Version	Release notes
2024-01-19	v1.1	<ul style="list-style-type: none"> In Section 1.1 Features, added information about certification and test In Section 5.4.1 Current Consumption in Active Mode, updated the minimum RF transmit power for Bluetooth LE and 802.15.4 in active mode from -24 dBm to -16 dBm, and updated the maximum power from 20 dBm to 19 dBm In Chapter 6 RF Characteristics, updated the RF transmit power range for Bluetooth LE and 802.15.4 from -24 ~ 20 dBm to -16 ~ 19 dBm In Section 9.2 Recommended PCB Land Pattern, added information about the recommended PCB land pattern of ESP32-C6-MINI-1U module, and 3D models of ESP32-C6-MINI-1 and ESP32-C6-MINI-1U modules
2023-06-27	v1.0	<ul style="list-style-type: none"> Added Chapter 4 Peripherals and removed peripheral-related information from 1.2 Description Updated Table 8 ESP32-C6-MINI-1 Physical Dimensions and Table 9 ESP32-C6-MINI-1U Physical Dimensions to change the tolerance in the top view from 0.25 to 0.2
2023-04-17	v0.6	Added information about ESP32-C6-MINI-1U module
2023-02-16	v0.5	Preliminary release



www.espressif.com

Disclaimer and Copyright Notice

Information in this document, including URL references, is subject to change without notice.

ALL THIRD PARTY'S INFORMATION IN THIS DOCUMENT IS PROVIDED AS IS WITH NO WARRANTIES TO ITS AUTHENTICITY AND ACCURACY.

NO WARRANTY IS PROVIDED TO THIS DOCUMENT FOR ITS MERCHANTABILITY, NON-INFRINGEMENT, FITNESS FOR ANY PARTICULAR PURPOSE, NOR DOES ANY WARRANTY OTHERWISE ARISING OUT OF ANY PROPOSAL, SPECIFICATION OR SAMPLE.

All liability, including liability for infringement of any proprietary rights, relating to use of information in this document is disclaimed. No licenses express or implied, by estoppel or otherwise, to any intellectual property rights are granted herein.

The Wi-Fi Alliance Member logo is a trademark of the Wi-Fi Alliance. The Bluetooth logo is a registered trademark of Bluetooth SIG.

All trade names, trademarks and registered trademarks mentioned in this document are property of their respective owners, and are hereby acknowledged.

Copyright © 2024 Espressif Systems (Shanghai) Co., Ltd. All rights reserved.

X-ON Electronics

Largest Supplier of Electrical and Electronic Components

Click to view similar products for [Multiprotocol Modules](#) category:

Click to view products by [Espressif](#) manufacturer:

Other Similar products are found below :

[9260.NGWG.NV 958867](#) [AX210.NGWG.NV](#) [BM833](#) [ESP32-C3-MINI-1U-H4](#) [ESP32-WROOM-32U-16MB](#) [ESP32-WROOM-32UE](#)
[ESP32-WROOM-32D-H4](#) [ESP32-WROOM-32U-H4](#) [ESP32-PICO-MINI-02U-N8R2](#) [ESP32-C6-WROOM-1-N4](#) [ESP32-C6-WROOM-1U-N4](#)
[ESP32-C6-WROOM-1-N8](#) [BE200.NGWG.NV](#) [BE200.NGWG](#) [BE202.NGWG.NV](#) [BE200.NGWG.NVX](#) [AX411.NGWG.NV](#) [AX210.D2WG](#)
[AX210.NGWG.NVX](#) [AX211.NGWG](#) [EC200UEUAA-N05-TA0AA](#) [SC20ELSATEA-8GB-UGAD](#) [SG560DEUPA-U61-TA0AA](#)
[AX211.NGWG.NV](#) [ISM43340-M4G-L44-10CF-C6.2.1.11](#) [KG100SABMD](#) [BC40P](#) [S007-PIN254](#) [S007-PIN127](#) [ESP32-C3-12F](#)
[FC41DAHMD](#) [EWM-W179M201E](#) [ESP32-C6-WROOM-1U-N8](#) [ATWILC3000-MR110CA](#) [RS9113-NBZ-D5W](#) [ATWINC3400-](#)
[MR210UA122](#) [ESP32-WROOM-32](#) [AMPAK AP12356 WIFI/BT KIT](#) [AIW-154BN](#) [AIW-165BN](#) [AIW-166K1](#) [AIW-166K2](#) [AIW-166K3](#)
[AIW-166K4](#) [AIW-355 DQ-N01](#) [AIW-355 DQ-C01](#) [EWM-W159M201E](#) [EWM-W192K1](#) [EWM-W192K2](#) [W106C](#)