

© 2013 Essentra Components. All rights reserved.  
 Registered in England, Company No. 547495.  
 Registered Office: Essentra plc  
 Langford Locks, Kidlington, Oxford, OX5 1HX

Condition of Sale can be found on our website: [essentra.com](http://essentra.com).

Essentra Components does not warrant that the files will be error free and may create new versions ("Upgrades") at any time, which may correct such errors. Essentra Components has no obligation to notify you of such upgrades. Any upgraded file will be published to the website, when it becomes available.

You are not permitted to load any of the files on to a network server for the purposes of distribution to one or more other computer(s) on that network or to effect such distribution. Essentra Components shall not be liable for any loss or damage whatsoever or however caused, arising directly or indirectly from the use of the files.

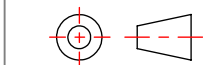
**UNCONTROLLED COPY**

STATUS **APPROVED DRAWING**

UNLESS OTHERWISE STATED

ALL DIMENSIONS IN mm DO NOT SCALE

|                  |      |       |                        |
|------------------|------|-------|------------------------|
| LINEAR TOLERANCE |      |       | THIRD ANGLE PROJECTION |
| SIZE             | (0)  | (0.0) | (0.00)                 |
| 0-10             | ±0.5 | ±0.15 | ±0.10                  |
| >10-30           | ±0.5 | ±0.20 | ±0.15                  |
| >30-50           | ±0.5 | ±0.30 | ±0.20                  |
| >50-100          | ±0.8 | ±0.50 | ±0.25                  |
| >100-200         | ±1.5 | ±0.80 | ±0.40                  |
| >200-300         | ±2.0 | ±1.20 | ±0.80                  |
| >300-500         | ±3.0 | ±2.00 | ±1.00                  |
| >500             | ±5.0 | ±3.00 | ±1.50                  |



ANGULAR TOLERANCE ±0.5 DEGREES  
 UNSPECIFIED RADII 0.25mm  
 DRAFT ANGLE 0.5 DEGREES  
 DIMENSIONS IN BRACKETS [ ] ARE IN INCHES FOR REFERENCE ONLY

|               |            |       |                 |
|---------------|------------|-------|-----------------|
| CREATE DATE   | 26.09.2022 | 5:1   | ORG. SCALE      |
| ITEM CODE     | 10075647   | PVC   | MATERIAL        |
| LEGACY NUMBER | 11107      | BLACK | COLOUR / FINISH |

TITLE:  
**OPEN GROMMET**

|          |          |        |       |
|----------|----------|--------|-------|
| DWG. No. | 10075647 | SHEET  | ISSUE |
|          |          | 1 of 2 | 1     |

© 2013 Essentra Components. All rights reserved.  
 Registered in England, Company No. 547495.  
 Registered Office: Essentra plc  
 Langford Locks, Kidlington, Oxford, OX5 1HX

Condition of Sale can be found on our website: [essentra.com](http://essentra.com).

Essentra Components does not warrant that the files will be error free and may create new versions ("Upgrades") at any time, which may correct such errors. Essentra Components has no obligation to notify you of such upgrades. Any upgraded file will be published to the website, when it becomes available.

You are not permitted to load any of the files on to a network server for the purposes of distribution to one or more other computer(s) on that network or to effect such distribution. Essentra Components shall not be liable for any loss or damage whatsoever or however caused, arising directly or indirectly from the use of the files.

**UNCONTROLLED COPY**

STATUS

**APPROVED DRAWING**

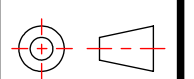
**UNLESS OTHERWISE STATED**

**ALL DIMENSIONS IN inches**

**DO NOT SCALE**

| SIZE             | LINEAR TOLERANCE |         |          |
|------------------|------------------|---------|----------|
|                  | (0.00)           | (0.000) | (0.0000) |
| 0 - 0.394        | ±0.020           | ±0.006  | ±0.004   |
| >0.394 - 1.181   | ±0.020           | ±0.008  | ±0.006   |
| >1.181 - 1.969   | ±0.020           | ±0.012  | ±0.008   |
| >1.969 - 3.937   | ±0.031           | ±0.020  | ±0.010   |
| >3.937 - 7.874   | ±0.059           | ±0.031  | ±0.016   |
| >7.874 - 11.811  | ±0.079           | ±0.047  | ±0.031   |
| >11.811 - 19.685 | ±0.118           | ±0.079  | ±0.039   |
| >19.685          | ±0.197           | ±0.118  | ±0.059   |

THIRD ANGLE PROJECTION

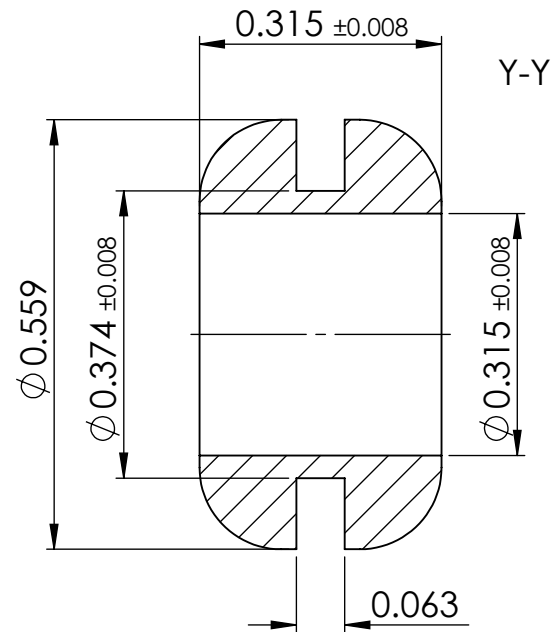
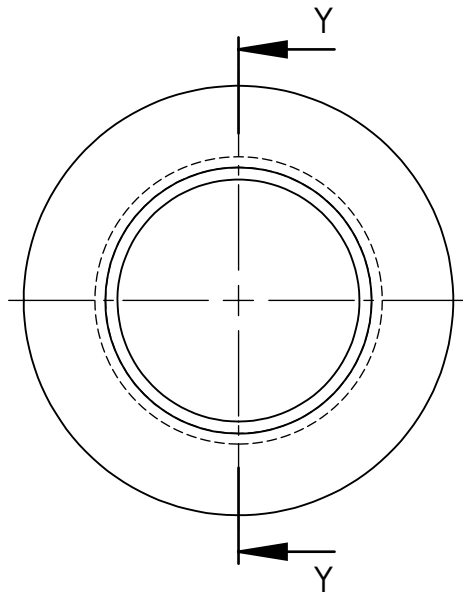


ANGULAR TOLERANCE  
 ±0.5 DEGREES  
 UNSPECIFIED RADII 0.010 inch  
 DRAFT ANGLE 0.5 DEGREES  
 DIMENSIONS IN BRACKETS [ ]  
 ARE IN INCHES FOR  
 REFERENCE ONLY

|               |            |       |                 |
|---------------|------------|-------|-----------------|
| CREATE DATE   | 26.09.2022 | 1:1   | ORG. SCALE      |
| ITEM CODE     | 10075647   | PVC   | MATERIAL        |
| LEGACY NUMBER | 11107      | BLACK | COLOUR / FINISH |

TITLE:  
**OPEN GROMMET**

|          |          |        |       |
|----------|----------|--------|-------|
| DWG. No. | 10075647 | SHEET  | ISSUE |
|          |          | 2 of 2 | 1     |



## X-ON Electronics

Largest Supplier of Electrical and Electronic Components

*Click to view similar products for [Grommets & Bushings](#) category:*

*Click to view products by [Essentra](#) manufacturer:*

Other Similar products are found below :

[M10-036565-101](#) [M10-036565-183](#) [M10-036565-244](#) [205339-4](#) [SRB-R-6](#) [1398081-1](#) [HSS-M50-TPE-V0](#) [HSS-M80-TPE-V0](#) [205339-2](#)  
[M10-113812-010](#) [M10-113810-006](#) [2407](#) [2141-P](#) [2417-P](#) [3108-P](#) [2871-P](#) [1342664](#) [HTL-40-10-TPE RAL9005](#) [HTT-53](#) [HTT-29](#) [EPA 2160](#)  
[SET](#) [EPA 2260 SET](#) [EV-16-TPE RAL9005](#) [HTC-35-TPE RAL9005](#) [HTKC-25-TPE RAL9005](#) [ISM71073](#) [3600182](#) [MCA003AG12](#) [EDS](#)  
[M20 LGR](#) [EDS M25 LGR](#) [3600192](#) [EDS M32 LGR](#) [3600177](#) [EDS M32 SW](#) [3600191](#) [TET 20-26](#) [36001039](#) [100589](#) [EDK 40 OR](#) [3600173](#)  
[3600170](#) [MBB0629B11](#) [3600183](#) [36001012](#) [36001011](#) [36001029](#) [3600186](#) [3600193](#) [3600188](#) [3600187](#)