



**ESSENTRA**  
COMPONENTS

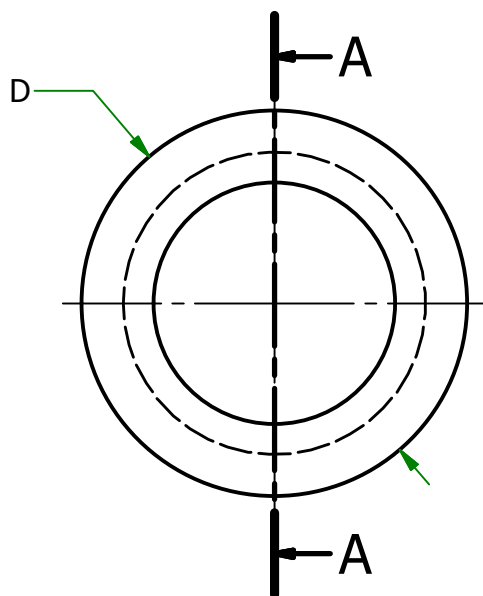
essentracomponents.com

© 2013 Essentra Components. All rights reserved.  
Registered in England, Company No. 547495.  
Registered Office: Avebury House,  
201-249 Avebury Boulevard, Milton Keynes, MK9 1AU

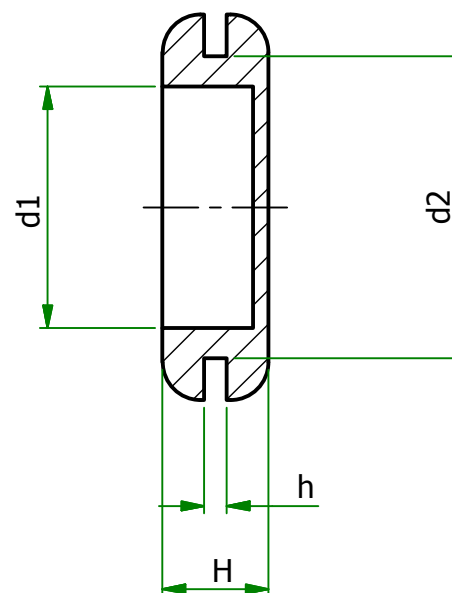
Condition of Sale can be found on our website:  
essentra.com.

Essentra Components does not warrant that the files will be error free and may create new versions ("Upgrades") at any time, which may correct such errors. Essentra Components has no obligation to notify you of such upgrades. Any upgraded file will be published to the website, when it becomes available.

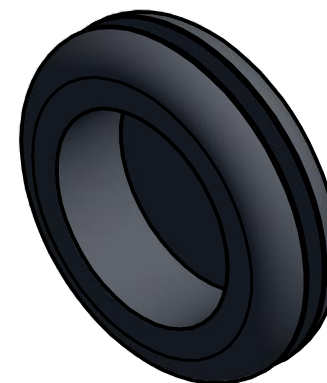
You are not permitted to load any of the files on to a network server for the purposes of distribution to one or more other computer(s) on that network or to effect such distribution. Essentra Components shall not be liable for any loss or damage whatsoever or however caused, arising directly or indirectly from the use of the files.



A-A ( 2 : 1 )



UNCONTROLLED



Part Number	D	d1	d2	h	H	Material	Part ID
19434	17.5	8	11	1.6	8	PVC	1141769

UNLESS OTHERWISE STATED

ALL DIMENSIONS IN mm				DO NOT SCALE	
LINEAR TOLERANCE				THIRD ANGLE PROJECTION	
SIZE	(0)	(0.0)	(0.00)		
0-10mm	±0.5	±0.15	±0.10		
10-30mm	±0.5	±0.20	±0.15		
30-50mm	±0.5	±0.30	±0.20		
50-100mm	±0.8	±0.50	±0.25		
100-200mm	±1.5	±0.80	±0.40		
200-300mm	±2.0	±1.20	±0.80		
300-500mm	±3.0	±2.00	±1.00	ANGULAR TOLERANCE ±0.5 DEGREES UNSPECIFIED RADII 0.25mm DRAFT ANGLE 0.5 DEGREES	
+500mm	±5.0	±3.00	±1.50		

ORG.SCALE NTS      CREATE DATE. 16/12/2009

MATERIAL SEE CHART

ITEM No. 19434

TITLE  
DIAPHRAGM GROMMET

DWG.No. P110545-2

ISSUE No. 2

## X-ON Electronics

Largest Supplier of Electrical and Electronic Components

*Click to view similar products for [Grommets & Bushings](#) category:*

*Click to view products by [Essentra](#) manufacturer:*

Other Similar products are found below :

[M10-036565-101](#) [M10-036565-143](#) [M10-036565-183](#) [205339-4](#) [M10-036565-122](#) [M10-036565-163](#) [3-1991136-0](#) [561-FGUP0850B](#) [561-MP13716](#) [561-FGUP0400N](#) [1398081-1](#) [1301800320](#) [M10-036565-232](#) [2298](#) [4014B](#) [2407](#) [2141-P](#) [HTL-40-10-TPE](#) [2417-P](#) [2917-P](#) [3108-P](#) [2871-P](#) [1342664](#) [51409](#) [HSS-M25-TPE](#) [RAL9005](#) [HTT-21](#) [RAL7035](#) [BDE 16](#) [FEM 15-20 NEW](#) [FMB 5F SET](#) [FMC 25F](#) [FMC 35F](#) [15075](#) [MET-M12](#) [RAL7035](#) [MET-M16](#) [RAL7035](#) [MET-M20](#) [RAL7035](#) [1251349](#) [VET 20-26](#) [RAL7042](#) [VET 5-7](#) [RAL7042](#) [VET 7-10](#) [RAL7042](#) [VET 8-14](#) [RAL7042](#) [100187](#) [100188](#) [100200](#) [100216](#) [100223](#) [100236](#) [10806](#) [12312](#) [12462](#) [12463](#)