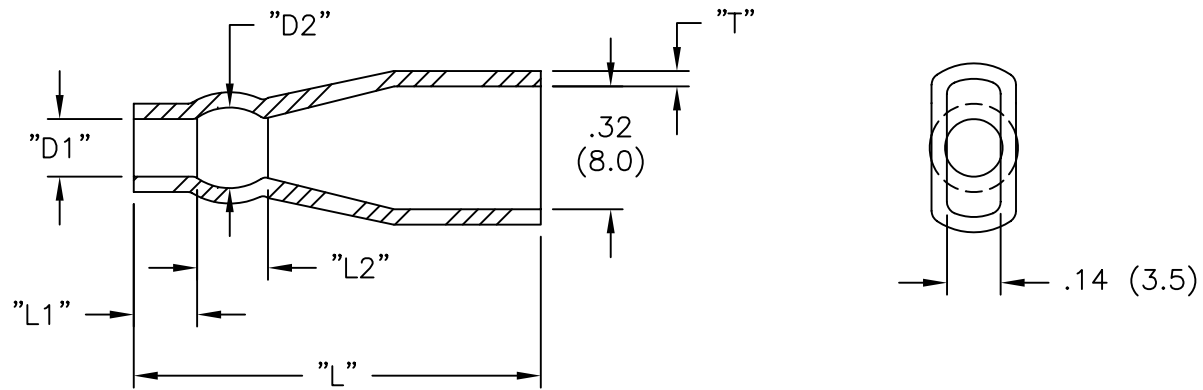


RICHCO PART NO.	WIRE O.D. RANGE	WIRE GA.	"D1"	"D2" REF.	"L1" ±.04 (1.0)	"L2" REF.	"L" ±.04 (1.0)	"T" ±.008 (0.2)
238020	.058-.080 (1.5-2.0)	24-20	.08 (2.0)	.13 (3.2)	.20 (5.0)	.12 (3.0)	.95 (24.0)	.04 (1.0)
238025	.058-.091 (1.5-2.3)	22-18	.10 (2.5)	.18 (4.5)	.20 (5.0)	.12 (3.0)	.95 (24.0)	.04 (1.0)
238032	.071-.126 (1.8-3.2)	18-16	.13 (3.2)	.19 (4.7)	.20 (5.0)	.10 (2.5)	.95 (24.0)	.04 (1.0)
238035	.071-.140 (1.8-3.6)	18-14	.14 (3.5)	.18 (4.5)	.20 (5.0)	.12 (3.0)	.95 (24.0)	.04 (1.0)
238040	.091-.140 (2.3-3.6)	16-14	.16 (4.0)	.20 (5.0)	.20 (5.0)	.12 (3.0)	.97 (24.5)	.04 (1.0)
238048	.113-.190 (2.9-4.8)	14-12	.19 (4.8)	.25 (6.3)	.20 (5.0)	.10 (2.5)	.98 (25.0)	.04 (1.0)
238060	.182-.214 (4.6-5.4)	12-10	.24 (6.0)	.30 (7.5)	.28 (7.0)	.10 (2.5)	1.14 (29.0)	.04 (1.0)



NOTES:

- MAT'L: SOFT PVC (RMS-55)
UL YELLOW CARD E81260
- COLOR: TRANSPARENT BLUE

REV			TITLE: "QUICK FIT" INSULATOR-250 SERIES				DWG IN IN (MM)		FINAL	
F	SEE CO 200041 FOR CHANGES	SK 09.28.07	TOLERANCES UNLESS NOTED .XX=±.010 .XXX=±.005 FRAC=±1/64 ANG=±1°	FILE # 2380XX	DWN: P.B.	DT: 08-03-94	PART # SEE TABLE		PRINT TYPE CA	
E	SEE ECN #863 FOR CHANGES	SM 10.04.04		MAT'L: SEE NOTES	CHKD:	ENGR:				
D	CHANGED FILE NO. AND TITLE BLOCK	SM 10.30.02		RE: RICHCO, INC.	RICHCO INC. PO BOX 804238, CHICAGO, 60680 (773) 539-4060					
C	ADDED REF. TO "D2"&"L2" AND TOL. TO "T"	DLC 09.13.01								
B	"L1" WAS FROM .20 &"L" WAS FROM 1.06	JB 04.26.96								
A	CONVERTED TO ACAD	PB 08.03.94								
REV	DESCRIPTION	ENGR DATE								

X-ON Electronics

Largest Supplier of Electrical and Electronic Components

Click to view similar products for [Terminals](#) category:

Click to view products by [ESSENTRA](#) manufacturer:

Other Similar products are found below :

[00-054007-01074-6](#) [00-054007-70206-1](#) [00-054007-70210-8](#) [00-054007-70217-7](#) [00-054007-70226-9](#) [00-054007-70228-3](#) [00-054007-70248-1](#) [00-054007-70256-6](#) [00-054007-70301-3](#) [00-054007-70316-7](#) [00-054007-49560-4](#) [00-054007-70209-2](#) [00-054007-70225-2](#) [00-054007-70227-6](#) [00-054007-70231-3](#) [00-054007-70241-2](#) [00-054007-70242-9](#) [00-054007-70244-3](#) [00-054007-70246-7](#) [00-054007-70263-4](#) [00-054007-70288-7](#) [00-054007-70290-0](#) [00-054007-70300-6](#) [00-054007-70304-4](#) [01-2065-1-0216](#) [01-2900-1-04412](#) [00581P0075](#) [600TS-10](#) [60205-1](#) [604200-1](#) [605601-1](#) [60598-1-CUT-TAPE](#) [61314-6-C](#) [61810-3](#) [61-S](#) [61-SN](#) [626-0194](#) [62-NBM-A](#) [62-SN](#) [62-SP](#) [63-S](#) [640179-1](#) [M55155/059I03](#) [M55155/079C01](#) [M55155/099H02](#) [M55155/109H01](#) [M55155/109H02](#) [M55155/12XH05](#) [M55155/16XH02](#) [M55155/29-5S](#)