

UNLESS OTHERWISE STATED

ALL DIMENSIONS IN mm
 REMOVE ALL SHARP EDGES
 DRAFT ANGLE 0.5 DEGREES PER SIDE
 UNSPECIFIED RADII 0.25 mm

LINEAR TOLERANCE (0) ±0.5mm
 LINEAR TOLERANCE (0.0) ±0.25mm
 LINEAR TOLERANCE (0.00) ±0.12mm
 ANGULAR TOLERANCE ±0.5 DEGREES


GENERAL NOTES:

1. ALL PARTS TO BE FREE FROM CRACKS, BUSTERS, VOIDS AND FLASH
2. EXTERNAL SURFACES TO BE FREE FROM SINK MARKS, PIN HOLES, M/C MARKS, COLOUR VARIATIONS AND OTHER VISIBLE IMPERFECTIONS
3. FINISH: ALL SURFACES TO BE
4. MATERIAL:

ISSUE	REVISION	DATE

DRAWN	N.W.	CHECKED	
DATE	19/7/04	DATE	
ORG.SCALE	1:1	THIRD ANGLE PROJECTION	

**IF IN DOUBT ASK
 DO NOT SCALE**



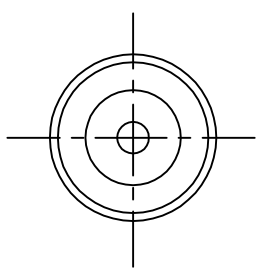
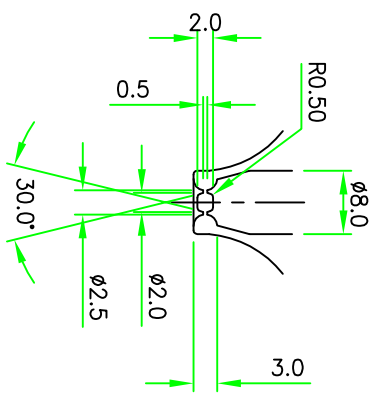
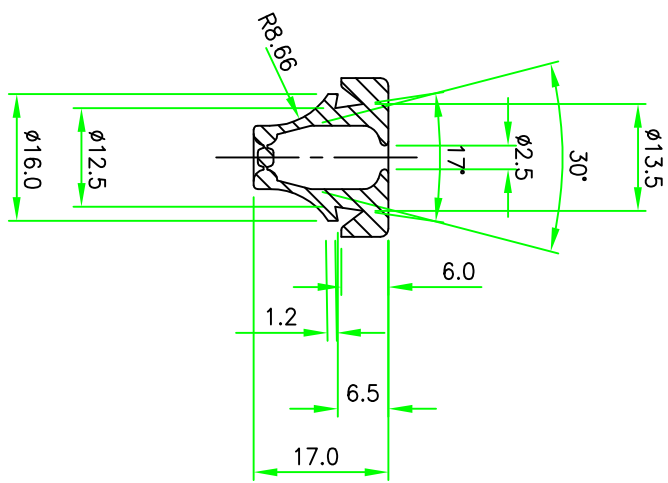
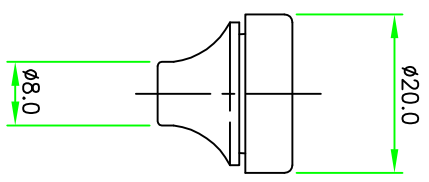
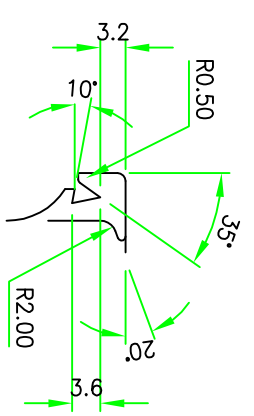
This drawing represents our interpretation of your instructions and all sizes and tolerances should be carefully checked/assume that the profile is an original design owned by you and we shall accordingly produce it in good faith. Should the profile bring any patent/registered design or copyright owned by a third party, we shall assume that we are indemnified by you against all loss we may suffer arising from any claims by that third party. Your signature indicates acceptance of the drawing and that our assumption is correct.

Signature: _____ Date: _____

MATERIAL	EPDM	FINISH	STD
PROJECT	SR1703		

TITLE
IP67 GROMMET – PG7

DWG.No.	4600	ISSUE No.	1
---------	------	-----------	---



X-ON Electronics

Largest Supplier of Electrical and Electronic Components

Click to view similar products for [RF Connector Accessories](#) category:

Click to view products by [Essentra](#) manufacturer:

Other Similar products are found below :

[89674-0712](#) [F702RX24](#) [FERRULE-174](#) [R125802000](#) [R141842000](#) [R141862000W](#) [R161844000](#) [R161862000](#) [R280752000](#) [R280907000](#)
[R694261906](#) [RFI75-3](#) [RFI75-4-D2](#) [RFI77-14](#) [AX102906](#) [AX102907](#) [18097-0013](#) [HP-500](#) [2098-0294-00](#) [2098-3251-94](#) [KA-81-05](#) [89674-0805](#) [F1](#) [FERRULE-223](#) [202102-11](#) [213337-1](#) [R161841000](#) [R280468000](#) [M39012/25-0006](#) [RFI25-12-D3](#) [RFI25-5](#) [RFI25-5-D3](#) [RFI75-2-D2](#) [RFI75-4-D3](#) [3550 04 K00](#) [360HS001M2508M6](#) [4-1532137-4](#) [HRM-514S\(40\)](#) [5-21085-0](#) [105274-1000](#) [111062-0490](#) [112122-SOD-LUG](#)
[112-NUT-KNURL](#) [IPP-2014](#) [R280490020](#) [RFI95-14-D2](#) [R451953000](#) [LPTW2TP-124](#) [MX-913/U\(45\)](#) [R201450001](#)